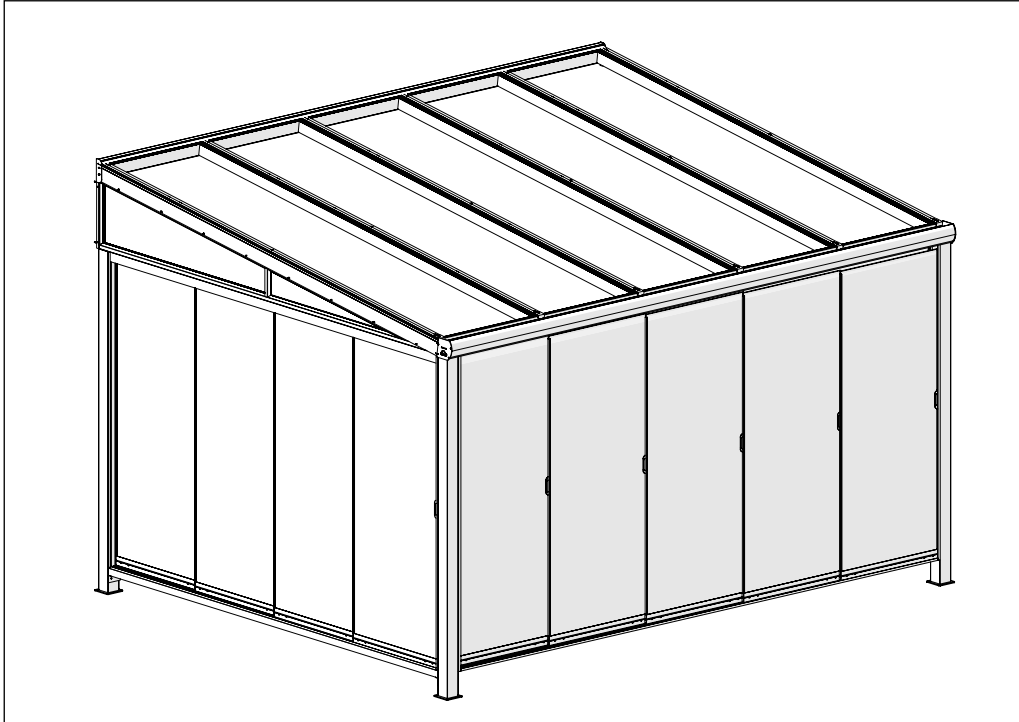


READ ME FIRST

GLASS SLIDING DOORS

1 rail, 2 rail, 3 rail, 4 rail, 5 rail, 6 rail



MOUNTING INSTRUCTIONS

MONTAGEANLEITUNG

MANUEL DE MONTAGE

MONTAGEHANDLEIDING

INSTRUKCJA MONTAŻU

INDEX
INHALTSVERZEICHNIS
TABLE DES MATIÈRES
INHOUDSOPGAVE
SPIS TREŚCI

SAFETY INSTRUCTIONS	1
SICHERHEITSHINWEISE	4
INSTRUCTIONS DE SÉCURITÉ	7
VEILIGHEIDSVORSCHRIFTEN	10
INSTRUKCJA BEZPIECZEŃSTWA	13
TOOLS WERKZEUGE MATERIEL NECESSAIRE GEREEDSCHAP NARZĘDZIA	16
PROVIDED TOOLS ANGEBOTENE WERKZEUGE OUTILS DONNÉS MEEGELEVERD GEREEDSCHAP NARZĘDZIA W ZESTAWIE	17
PARTS BAUTEILE ELEMENTS ONDERDELEN CZĘŚCI	18
ASSEMBLY MONTAGE MONTAGE MONTAGE MONTAŻ	21
EXTRA POLE	22
FOUNDATION	35
BOTTOM RAIL	47
U-PROFILE	50
TOP RAIL	56
GLASS DOORS	62
DOOR HANDLES & DRAFT STRIPS & DECORATIVE STRIPS	66
DOOR HANDLES (ONLY)	75
DRAFT STRIPS & DECORATIVE STRIPS (ONLY)	78
U-PROFILES AFTERWARDS	82

SAFETY INSTRUCTIONS



General

Always fully read this manual before installing or using glass sliding doors (hereinafter also referred to as the 'Product'). You must follow the instructions in this manual at all times. Failure to follow instructions correctly may result in property damage or personal injury. In addition, failure to follow instructions will result in voiding the warranty.

Please carefully keep this manual so that you or another user can refer to it at any time. If the Product is sold or passed on to third parties, please pass on the safety instructions as well.

If you have any questions that are not answered in this assembly manual, please contact your sales representative. Do you not have sufficient experience to install or assemble the Product? Then engage a professional.

Illustrations in these transport and assembly instructions are for a general basic understanding and may deviate from the actual version of the product.

This manual is copyrighted and intended for use only with the product.

Always keep the unassembled products out of the reach of children.

Intended use

This product is intended to be mounted on the front and/or side under a veranda.

This product has been specifically designed and developed to be used under normal usage conditions only.

Transport

During transport, secure the Product in such a way that it cannot move and therefore cannot be damaged.

Transport and store the Product in its original packaging in a safe and dry place at all times.

Use glass lifters with a minimum carrying capacity of 75 kg per glass lifter to easily handle the glass.

To prevent damage to the glass panels, it is recommended to store, transport and handle them vertically only and not place them on a hard or uneven surface.

Means of transport must be suitable for the weight of the transport units and must be approved for transport.

Inspection

Check the contents in advance for quantities and damage and lay out the parts clearly.

Before assembling a part, verify that it is free of defects and test the Product. If you notice a (possible) defect, take pictures of it and contact your supplier.

Immediately cease use or installation if a possible defect is detected. If you nevertheless install and/or use the Product, is not liable for any consequences.

Installation

Make sure there is a safe environment during installation. Make sure all measures are taken to work safely before starting installation and make sure no persons not involved in the installation are around.

Assembling the product requires at least 2 adults. This way you can easily screw in parts while someone else holds them in the right position. Always use the prescribed bolt and screw connections.

Work safely. Follow the safety instructions of the tools you use.

Use only the supplied parts. Use of other items may damage the Product or lead to dangerous situations.

Do not touch the product with sharp tools.

Place the glass doors with the logo facing toward the inside.

It is important that the foundation of the glass sliding doors is level to avoid cracks.

If you provide it yourself, always make sure that the foundation under the glass sliding door can bear a weight of up to 390 kg per linear meter.

Always transport glass panels on their side, preferably with suction cups. When glass plates are picked up horizontally, they can break due to the tension that is applied to the centre of the panel.

Do not place several sliding door systems against each other as this can cause damage or defects.

Use

Keep small parts out of the reach of children. This Product is not designed or intended as a toy for children.

Avoid exposure of the Product to open flames.

All packing material of the Product must be removed from the Product before taking it into use.

In the event of extreme (weather) conditions (including strong winds, heavy snowfall, large hailstones, earthquakes), extra caution and precautions must be taken. Take protective measures in advance and ensure that the Product is not used by yourself or others during the extreme (weather) conditions. If you notice a (possible) defect, observe safety measures. Make sure that nobody stands under or near the defective Products and call in an expert.

If it is likely that safe use is no longer possible, decommission the Product and safeguard it against unintended use. Assume that safe use is no longer possible if:

- the Product has any visible damage or abnormalities
- the Product does not function or no longer functions properly
- the Product has been stored under unfavourable conditions for a long period of time
- the Product has been subjected to heavy transport loads

Do not attach additional objects such as ropes or chains to the product. Use the product for its intended purpose only.

It is your own responsibility to assess or have a third party assess what foundation is necessary for the products you want. However, these are not suitable in all situations. We do not offer advice on this, because we do not know your specific situation.

Maintenance and cleaning

Periodically, at least annually, inspect the Product for secure attachment and for defects that may interfere with safe use of the Product. If any part is damaged, the Product must not be used.

During maintenance or cleaning work, be aware of sharp edges and protruding parts. Use hand protection if necessary.

Do not rinse or spray the Products with water. This can lead to short circuit. Use a slightly damp cloth to clean the Products. Do not use (aggressive) cleaning agents.

Warranty and liability

Making changes to the Product outside of control always results in the lapse of liability. Your warranty will also be voided in this case. Changes here mean operations other than those specified in the installation manual.

Do not attempt to repair the Product on your own. Improper repairs can create dangerous situations and result in voiding of warranty and liability.

The use of non- parts in conjunction with the Product will void the warranty on the Product.

cannot be held liable for any damage to your property.

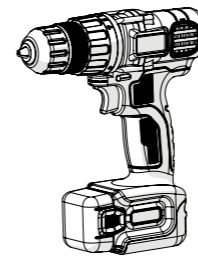
is not liable for consequential damage, damage to objects or persons as a result of failure to observe the safety instructions and/or improper use or as a result of wear and tear. Product design, composition and specifications are subject to change without notice.

All logos and trade names used are registered trademarks of their respective owners and are hereby acknowledged as such.

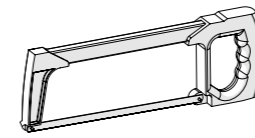
The manufacturer is not liable for damage caused by the following: non-observance of this manual, incorrect use, non-observance of the recognised technical rules, unauthorised modification, technical changes to the product.

In addition to the provisions in this manual, the agreed obligations and general terms and conditions of the supplier and the warranty conditions of the manufacturer also apply.

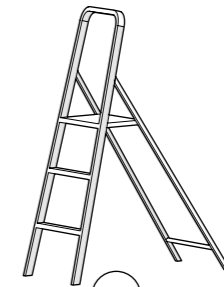
TOOLS
WERKZEUGE
MATERIEL NECESSAIRE
GEREEDSCHAP
NARZĘDZIA



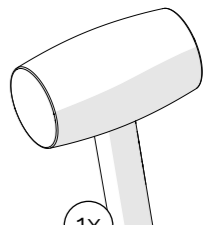
1X



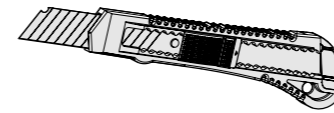
1X



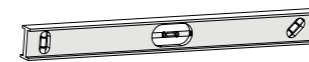
1X



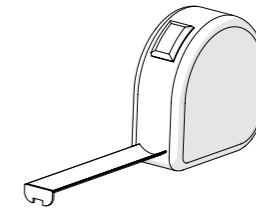
1X



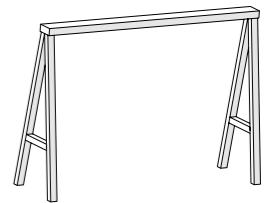
1X



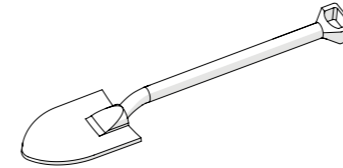
1X



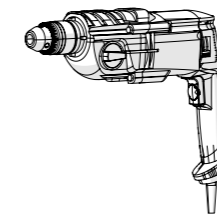
1X



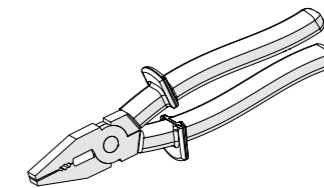
2X



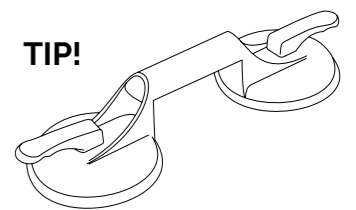
1X



1X

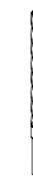
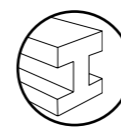


1X



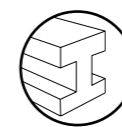
TIP!

2X



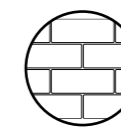
1X

Ø 3mm



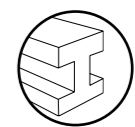
1X

Ø 6mm



1X

Ø 6mm



1X

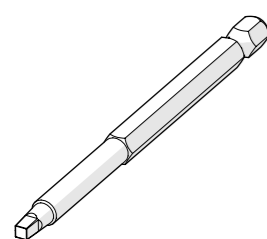
Ø 10mm

**PROVIDED TOOLS
 ANGEBOTENE WERKZEUGE
 OUTILS DONNÉS
 MEEGELEVERD GEREEDSCHAP
 NARZĘDZIA W ZESTAWIE**

**PARTS
 BAUTEILE
 ELEMENTS
 ONDERDELEN
 CZĘŚCI**

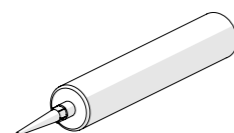
The list below shows the minimum amounts required

**PCK-2000-X / PCK-2001-X / PCK-2002-X /
 PCK-2003-X / PCK-2004-X / PCK-2005-X**



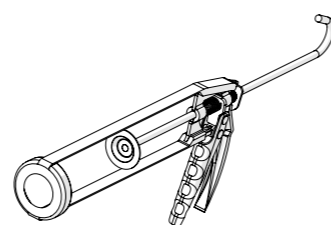
1X

SCM-2091-1



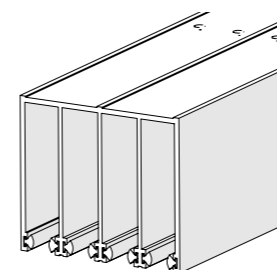
1X

KIT-1877-1



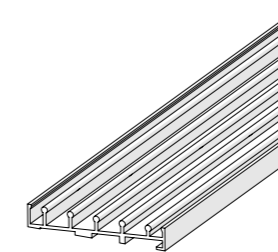
1X

ALP-895-3



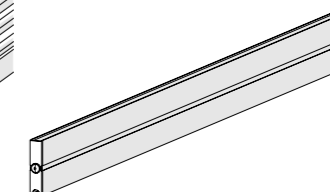
1X

ALP-1976/1977/1978/
2111/2112/2117-X



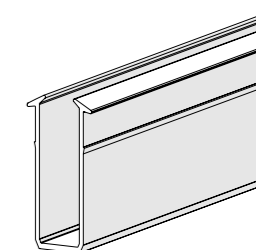
1X

ALP-1746/1974/1975/
2105/2109/2110-X



1X

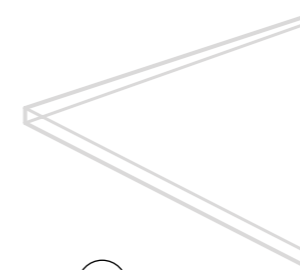
ASY-1747-X
per GLS-1079-X



1X

ALP-1909-X
per GLS-1079-X

Separate parts



1X

GLS-1079-X
per



2X

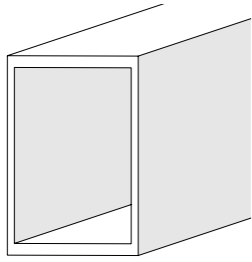
ALP-1997-X
per GLS-1079-X



6x 1 rail 10x 2 rail 14x 3 rail 16x 4 rail 18x 5 rail 22x 6 rail

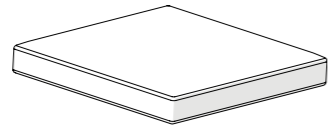
SCM-3000-X
16mm

Parts for foundation



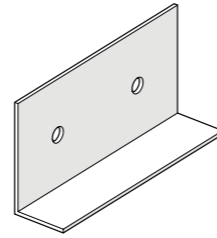
1X

ALP-1855/2053/2054/
2108/2115/2116-X
per PCK-200X-X



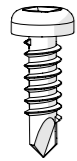
3X 3X 4X 5X 6X 7X
1 rail 2 rail 3 rail 4 rail 5 rail 6 rail

CBL-1963-1



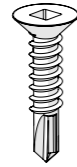
2X

ALP-1968-X
per 1x PCK-200X-X



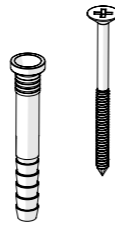
8X

SCM-3000-X
16mm



4X 4X 6X 7X 9X 12X
1 rail 2 rail 3 rail 4 rail 5 rail 6 rail

SCM-3003-X
19mm



2X

SCM-3008-X

Parts without foundation



4X 4X 6X 7X 9X 12X
1 rail 2 rail 3 rail 4 rail 5 rail 6 rail

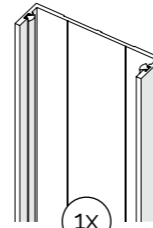
SCM-3004-1
40mm



4X 4X 6X 7X 9X 12X
1 rail 2 rail 3 rail 4 rail 5 rail 6 rail

SCM-3004-2

Optional parts



1X

ALP-2037/2038/2039/2107/
2113/2114-X
per PCK-200X-X



4X 4X 8X 8X 8X 8X
1 rail 2 rail 3 rail 4 rail 5 rail 6 rail

SCM-3000-X
16mm



8X

SCM-3004-1
40mm



8X

SCM-3004-2



1X

ALP-2036-X
per GLS-1079-X



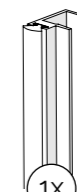
1X 1X 1X 1X 1X 2X
1 rail 2 rail 3 rail 4 rail 5 rail 6 rail

EPR-2066-1



1X

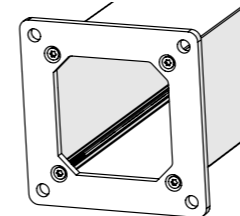
ALP-2032-X
per GLS-1079-X +1



1X

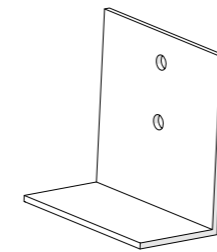
PCK-5010-X
per GLS-1079-X -1

Only for 3,0m & 4,0m



1X

ASY-1001-X
per PCK-200X-X



2X

ALP-1742-X
per 1x ASY-1001-X



5X

SCM-3000-X
16mm



5X

SCM-3004-1
40mm
per ASY-1001-X




5X


SCM-3004-2
per ASY-1001-X

ASSEMBLAGE MONTAGE MONTAGE MONTAGE MONTAŻ

EXTRA POLE (3,0m & 4,0m depth veranda)

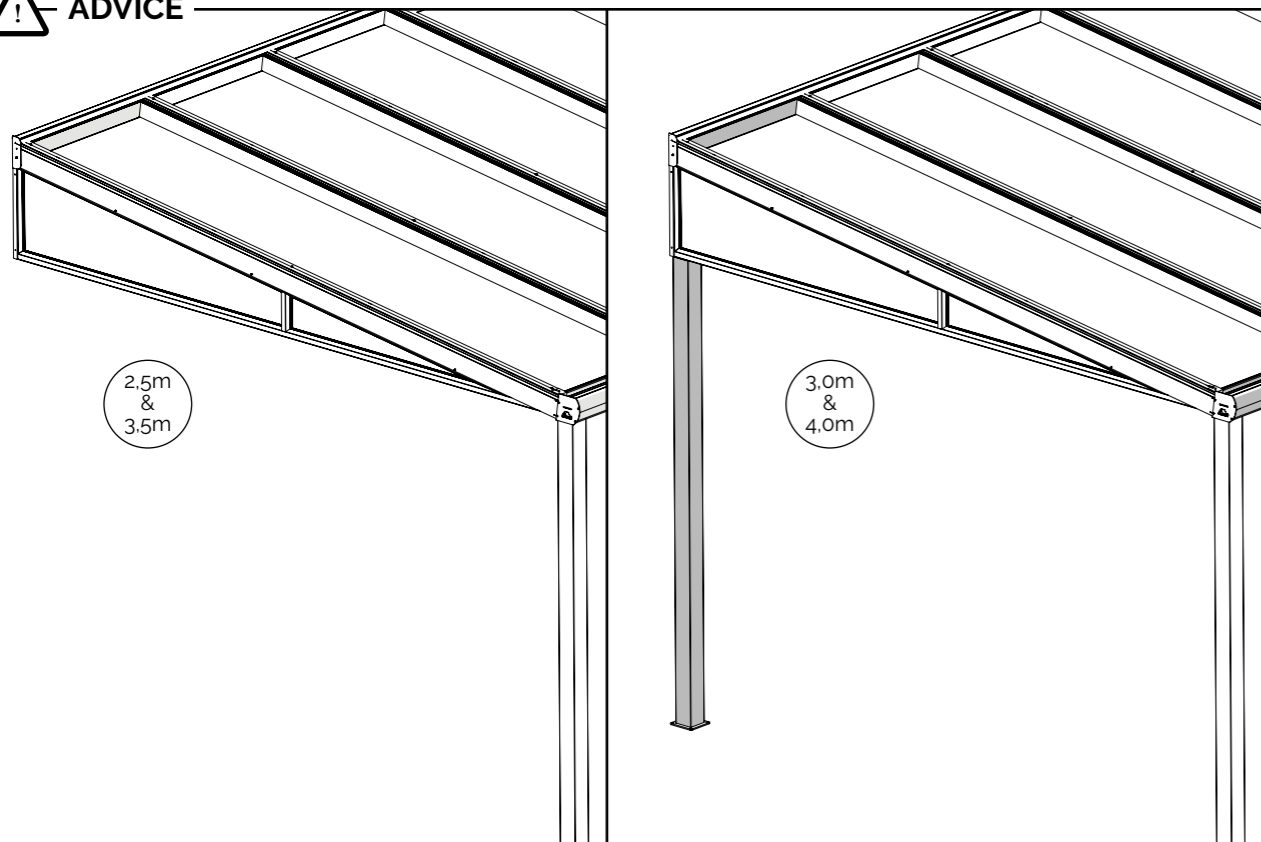
 Repeat step for each same item | Schritt für jedes gleiches Item wiederholen | Répétez les étapes pour chaque même article | Stap herhalen voor elk hetzelfde onderdeel

 Attention! | Achtung! | Attention! | Let op!

 Correct | Richtig | Bien | Goed

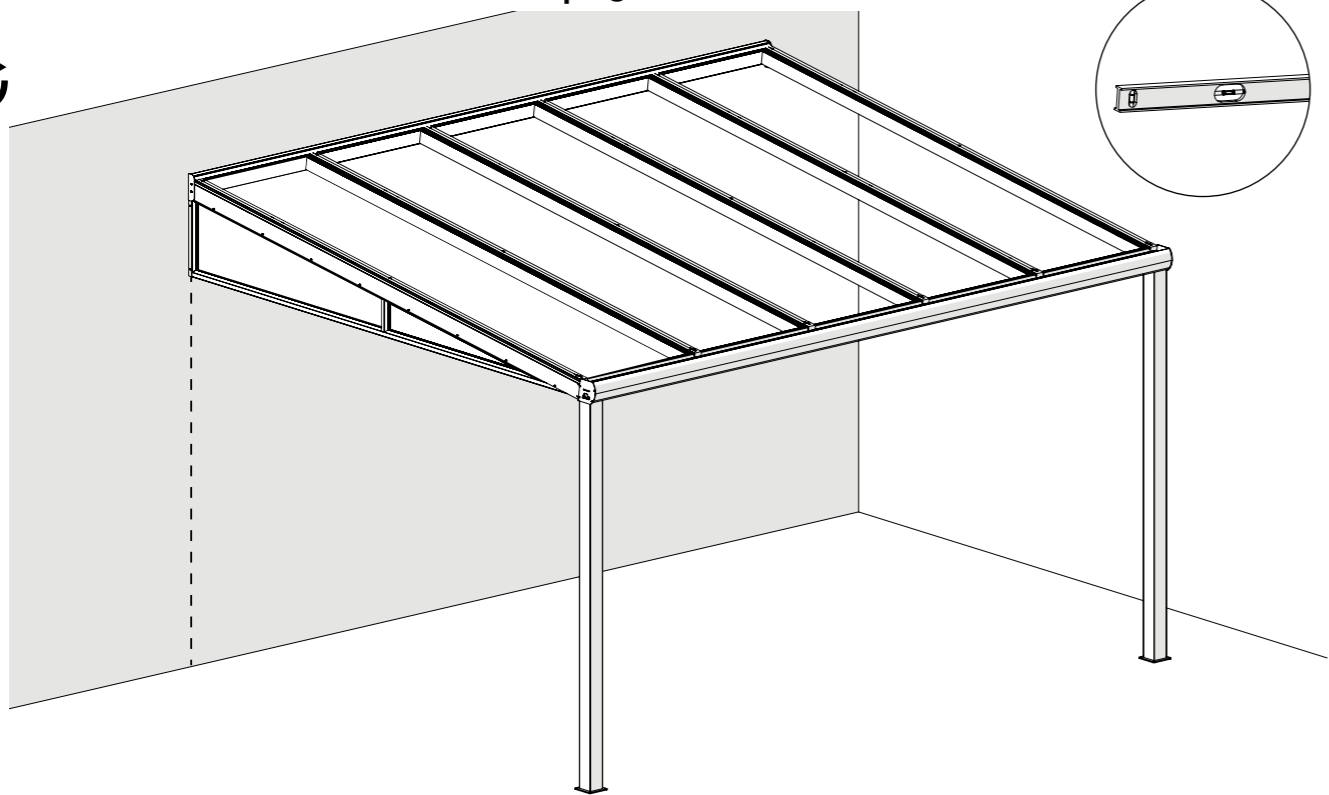
 Wrong | Falsch | Erreur | Fout

 **ADVICE**

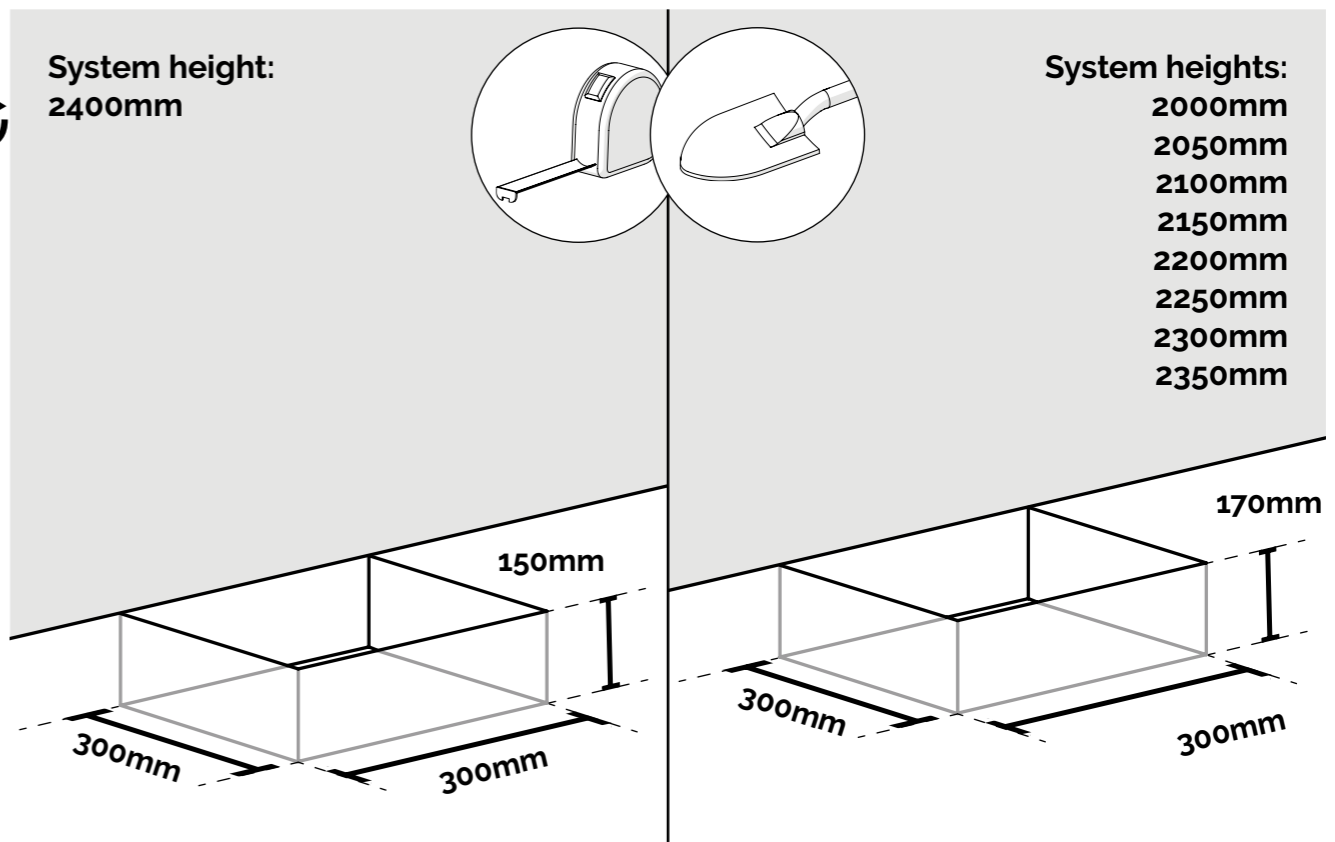


⚠ Steps 1-22: only for 3,0m and 4,0m depth veranda with extra pole.
 Otherwise continue with step 23.

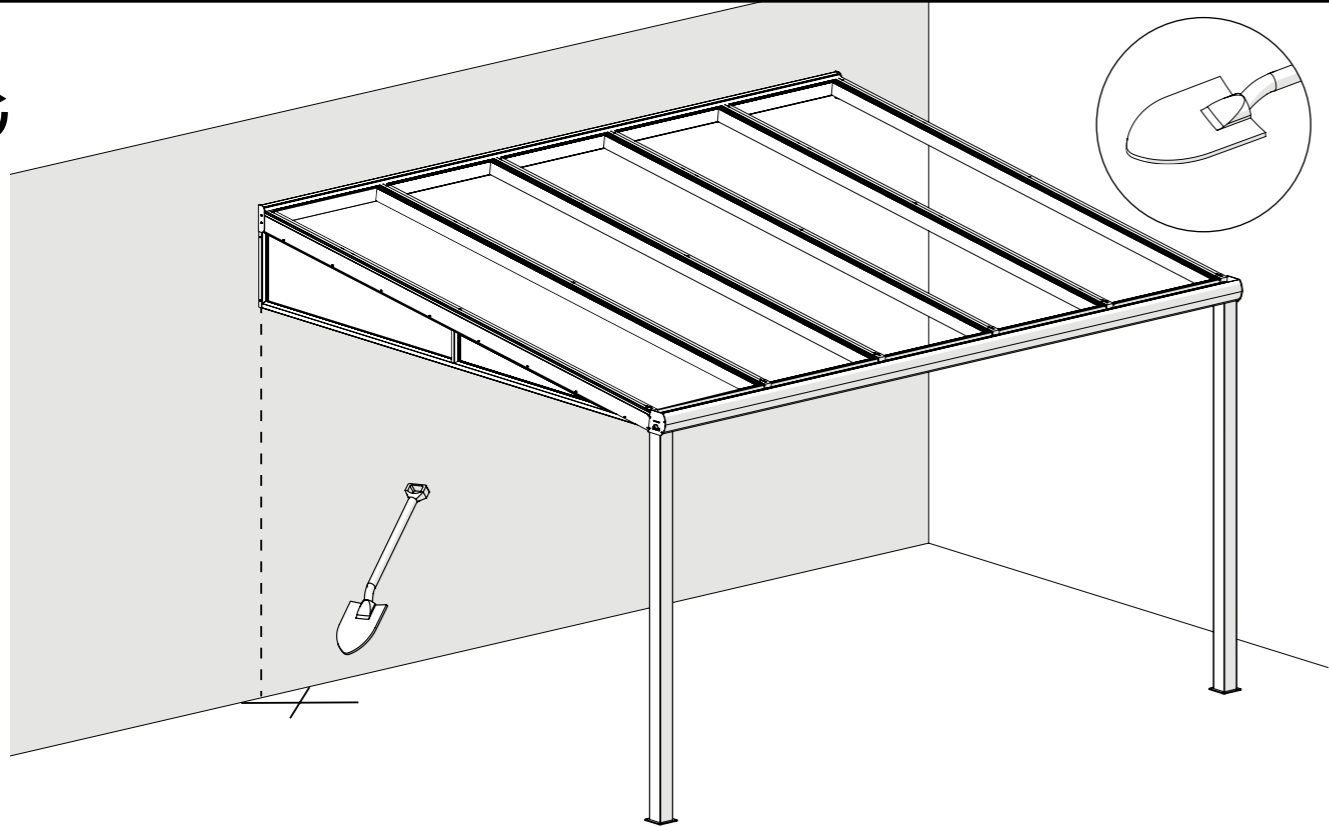
1



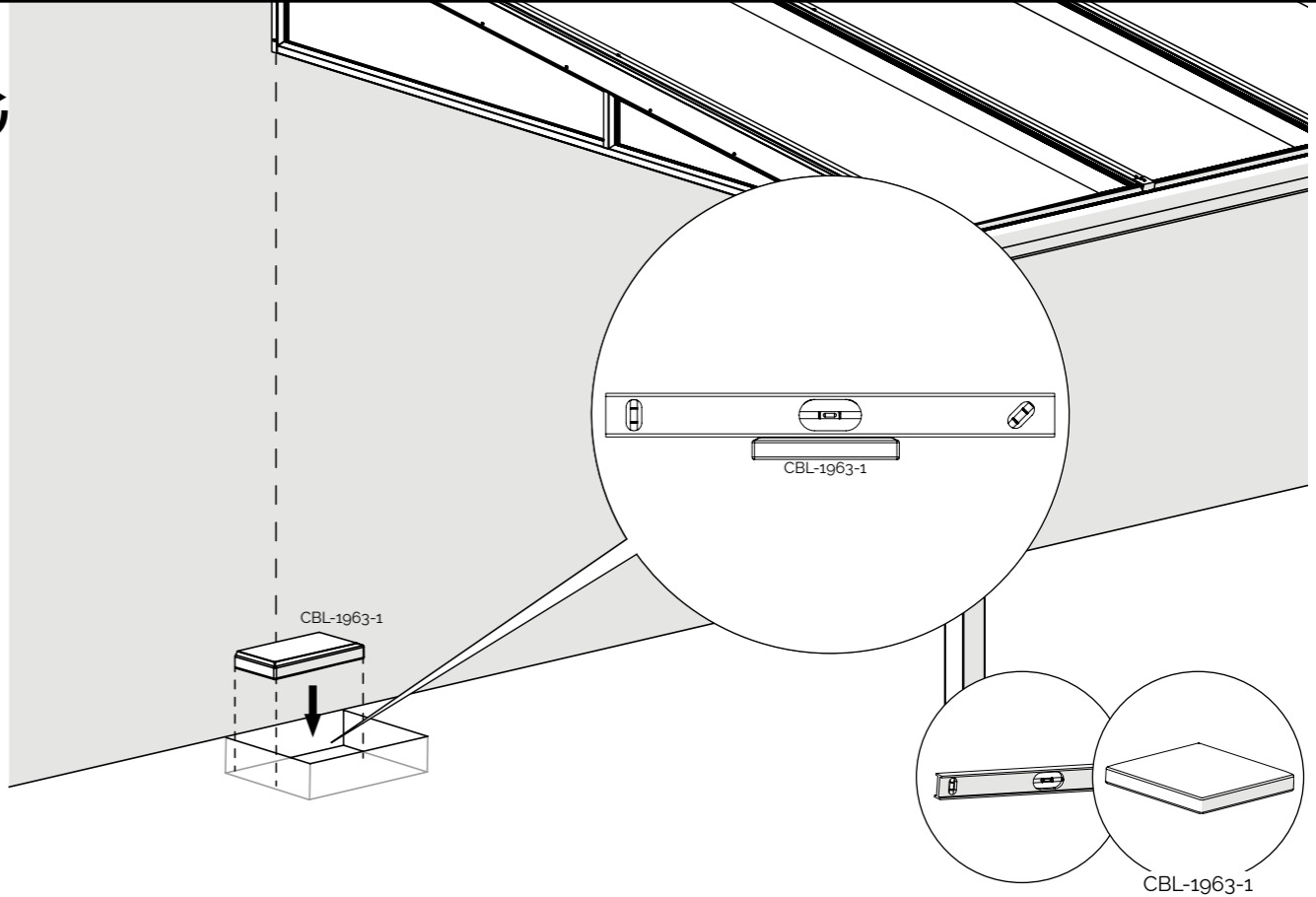
3



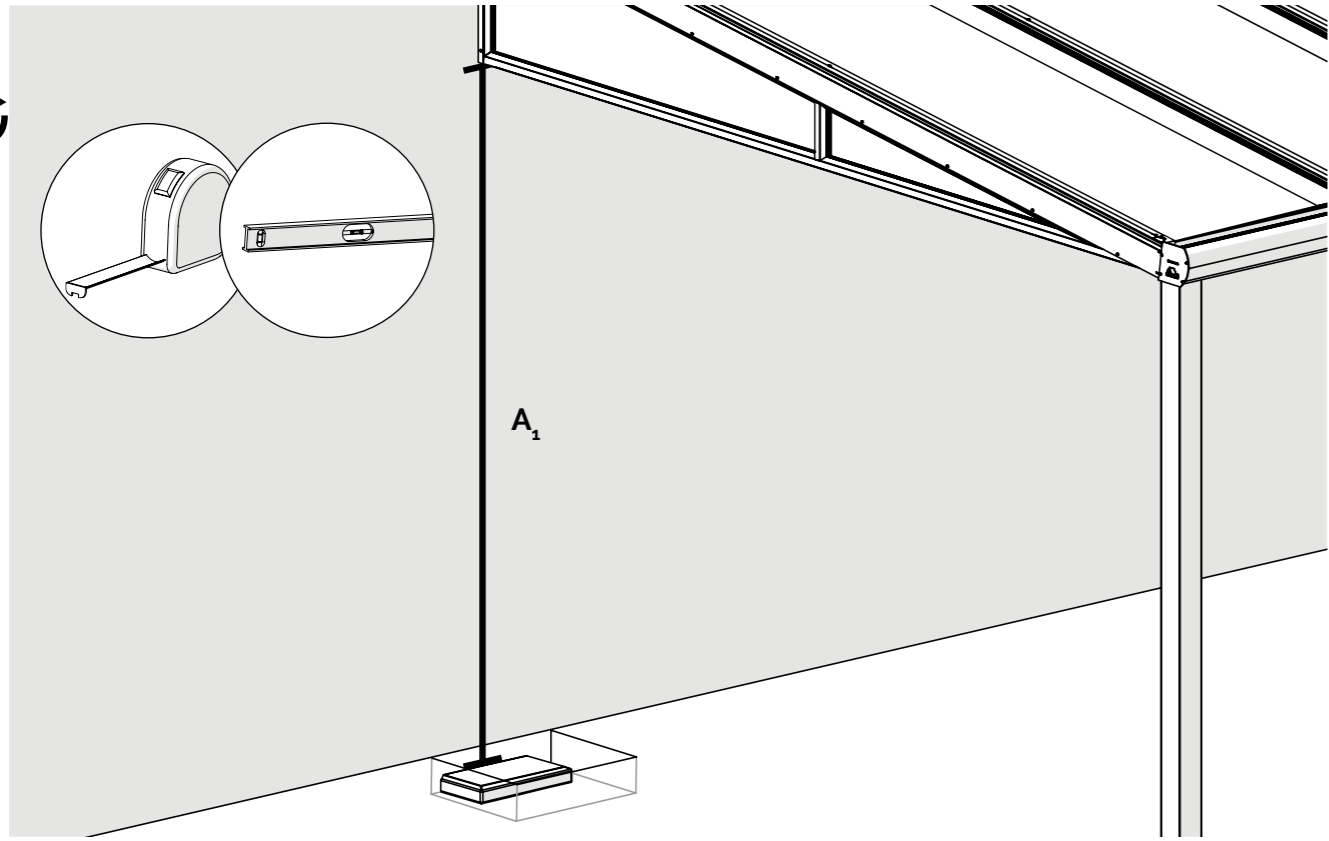
2



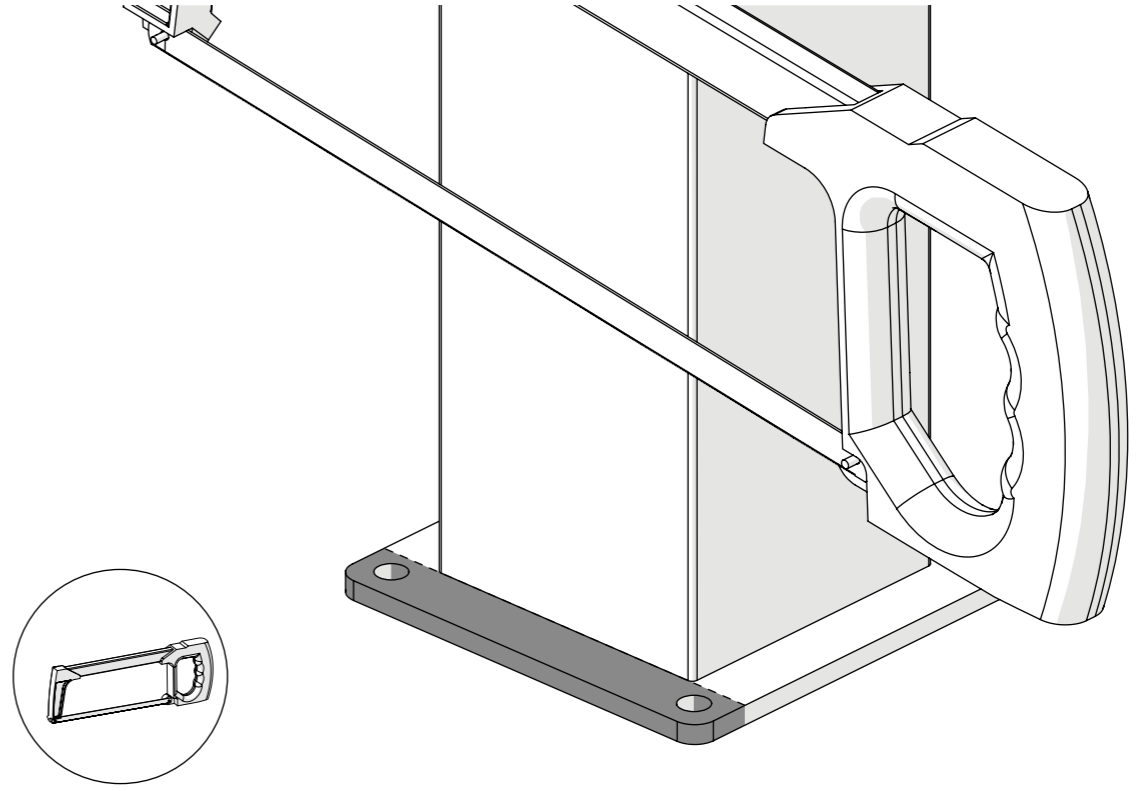
4



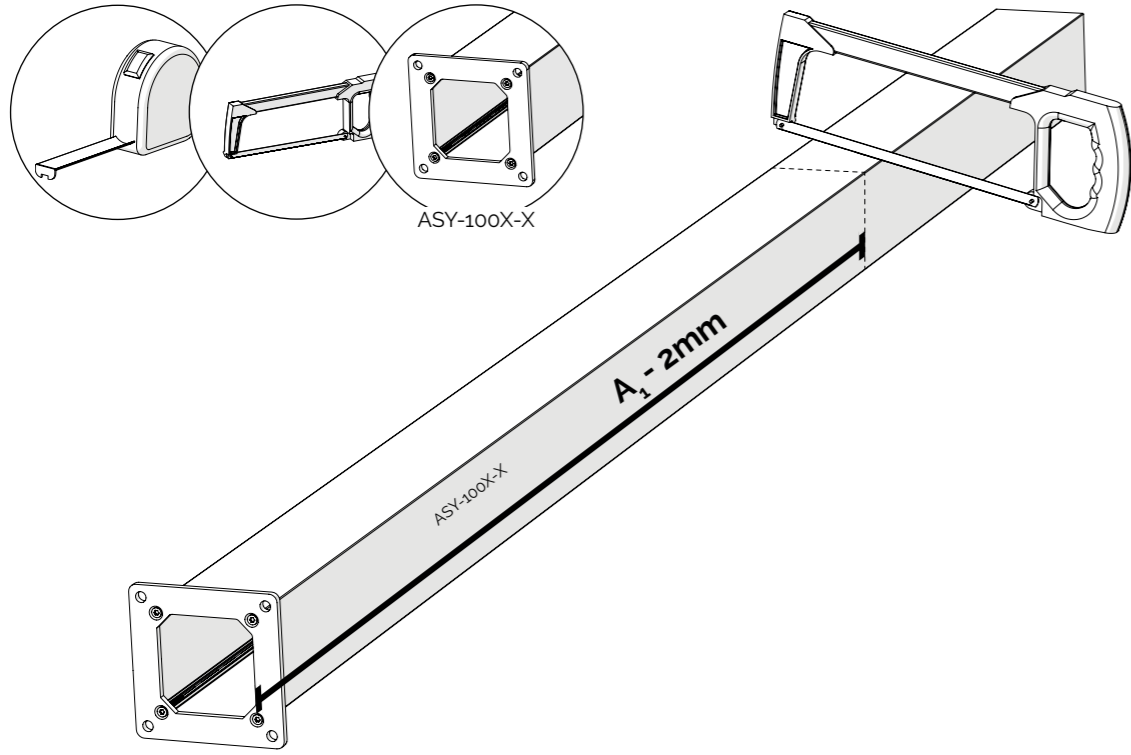
05



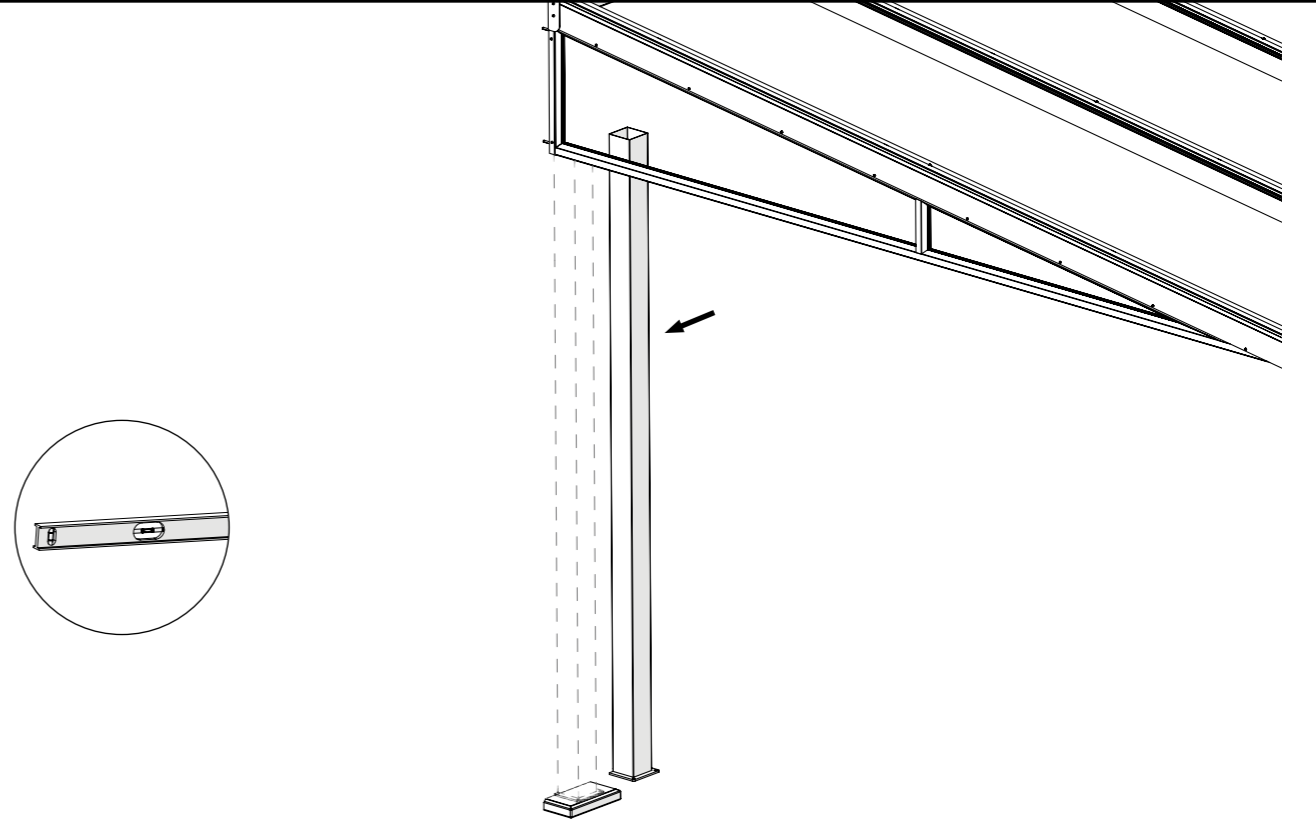
07



06

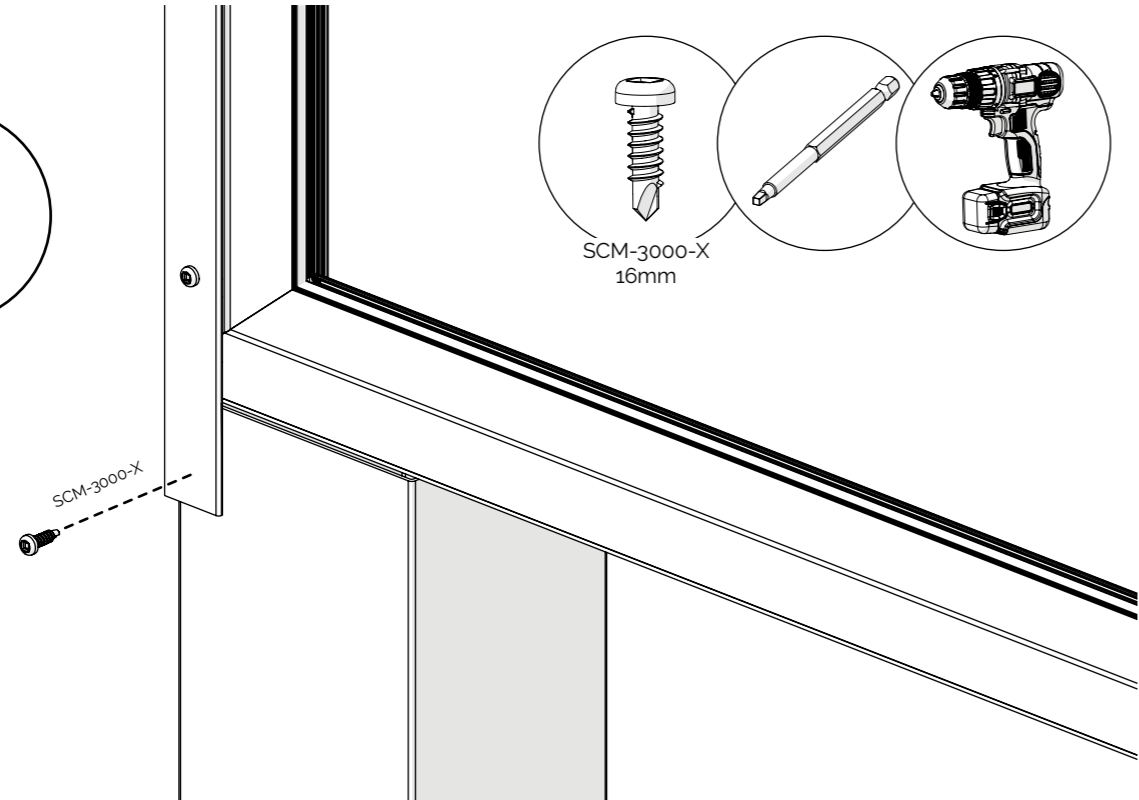


08



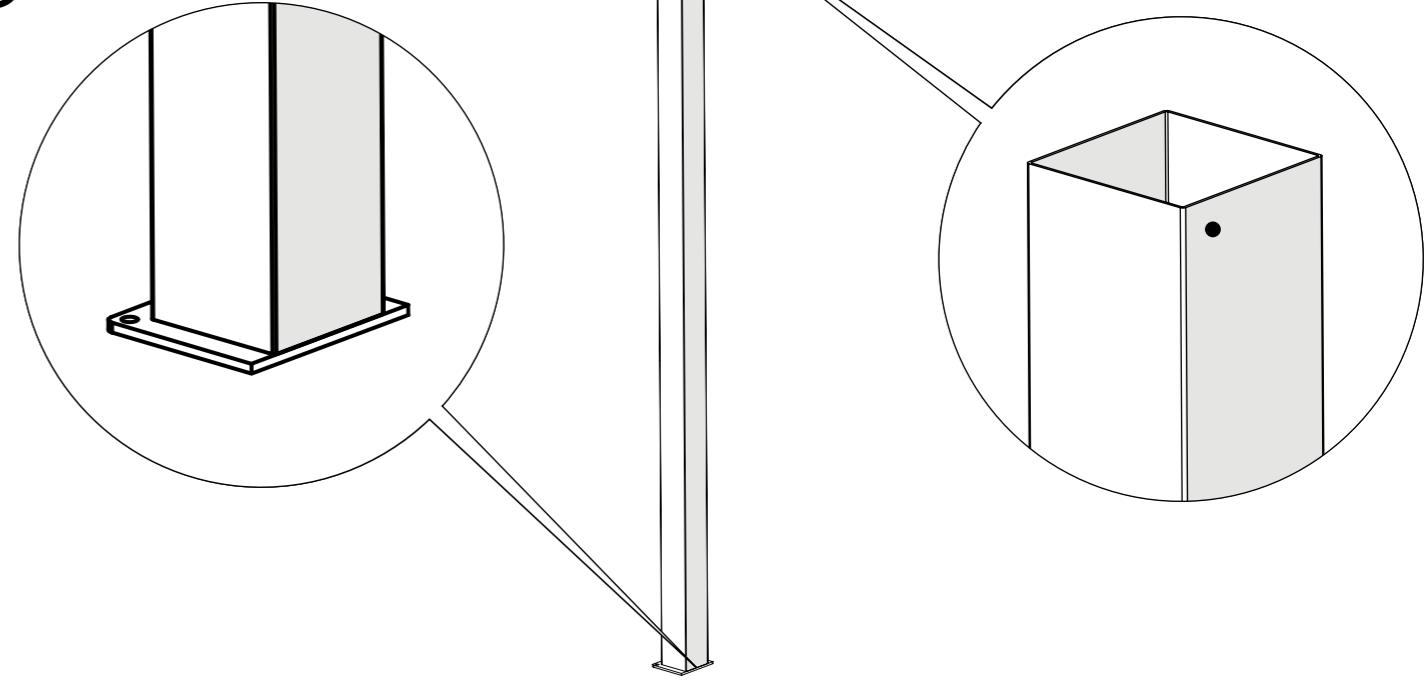
09

A

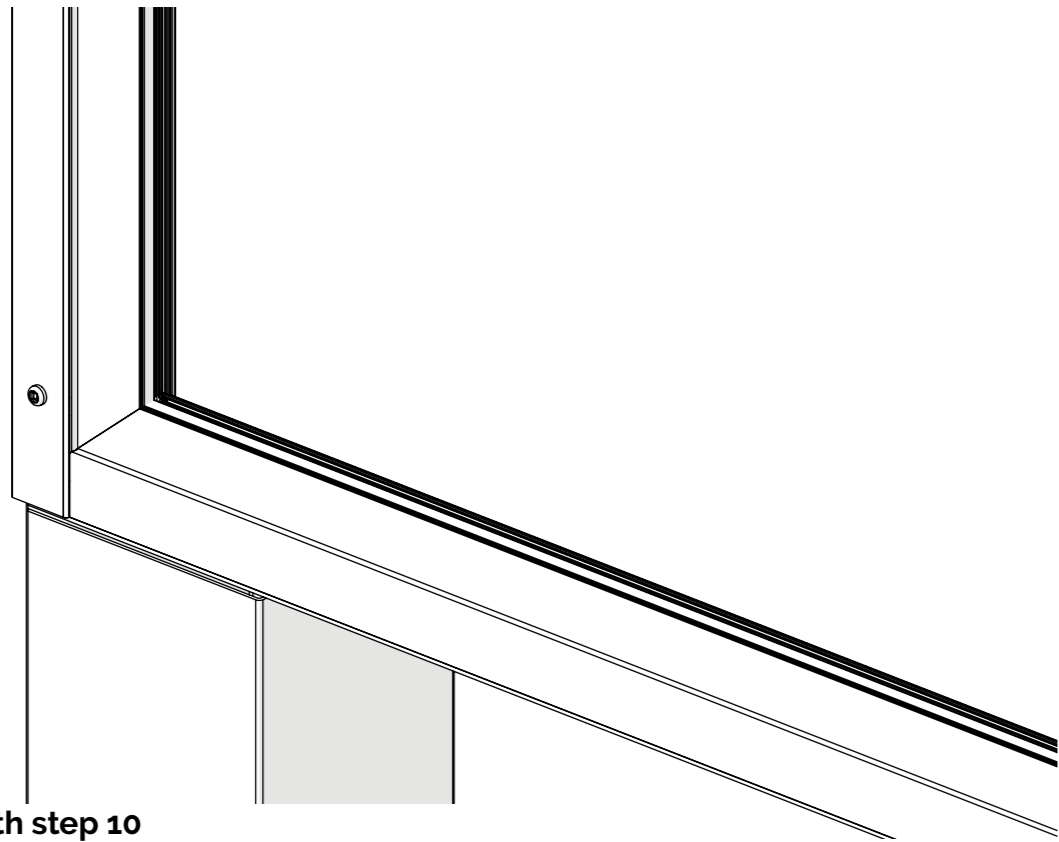


⚠ Continue with step 15

10

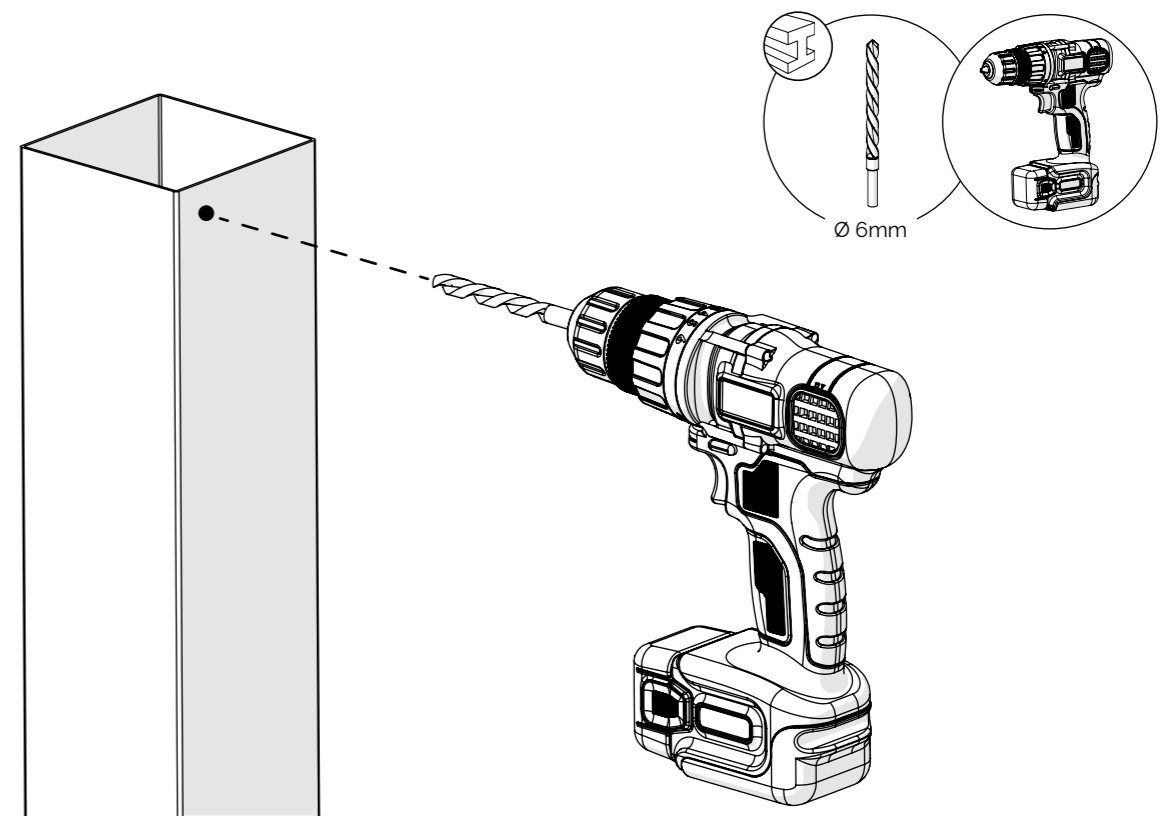


B

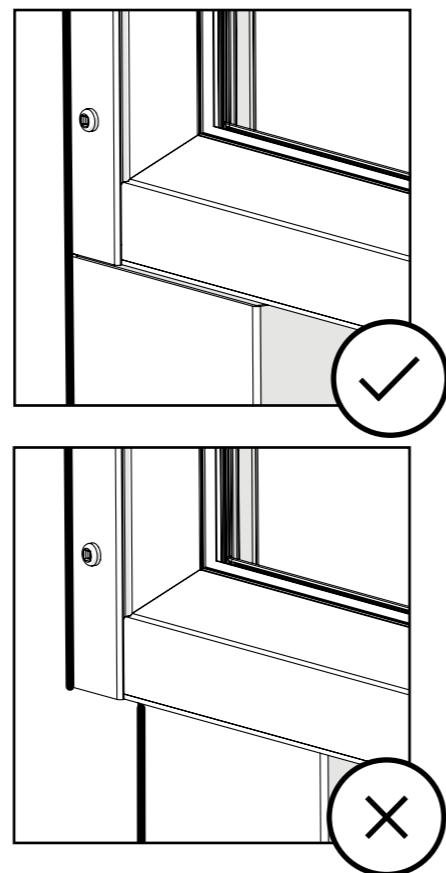
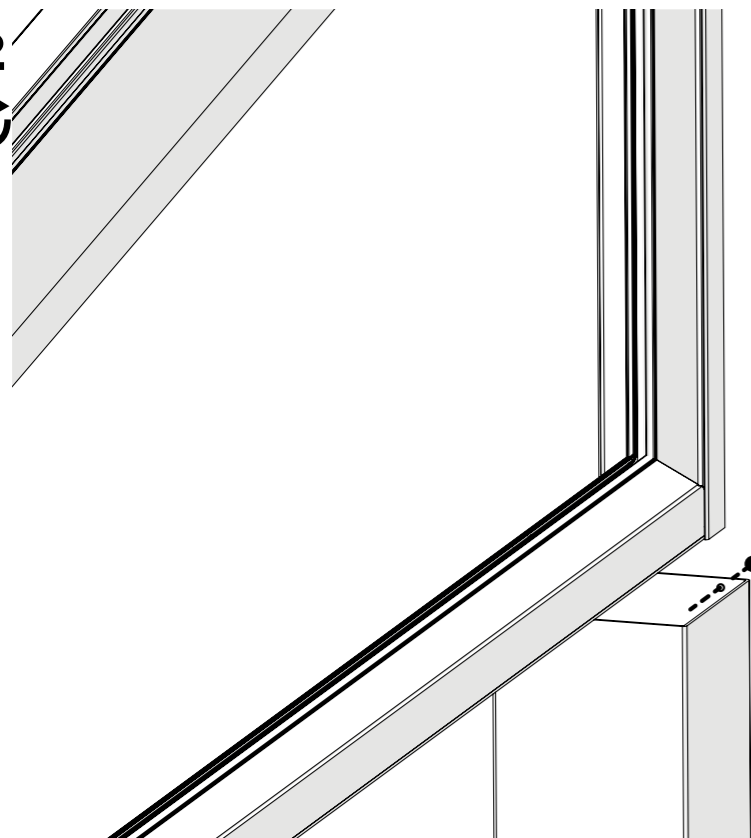


⚠ Continue with step 10

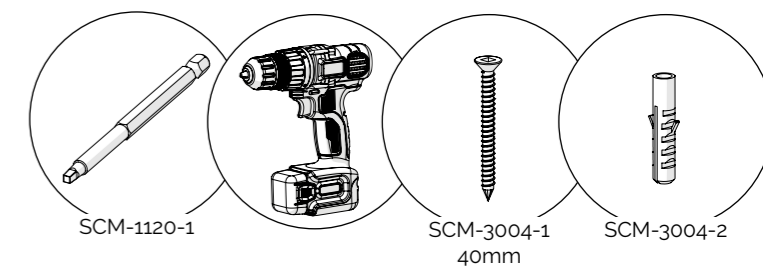
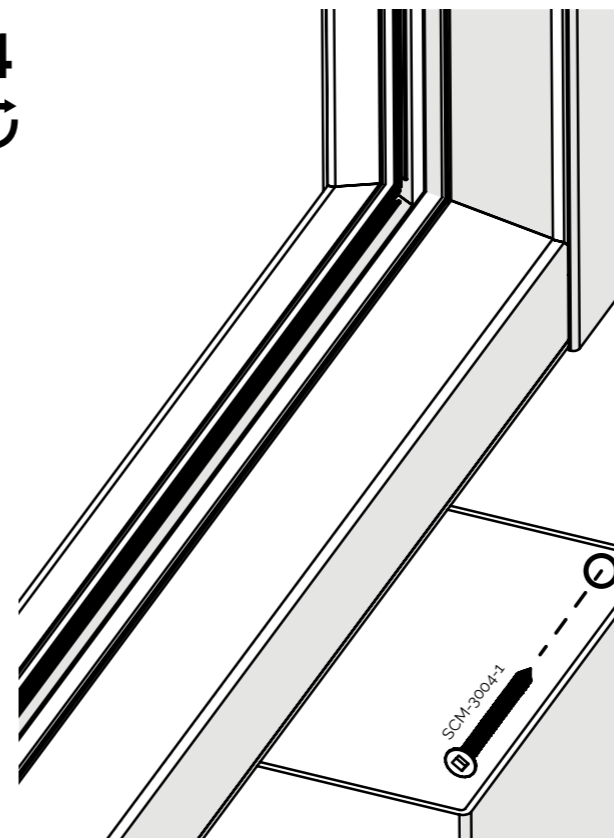
11



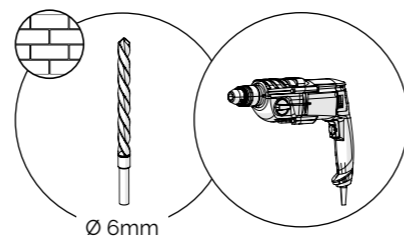
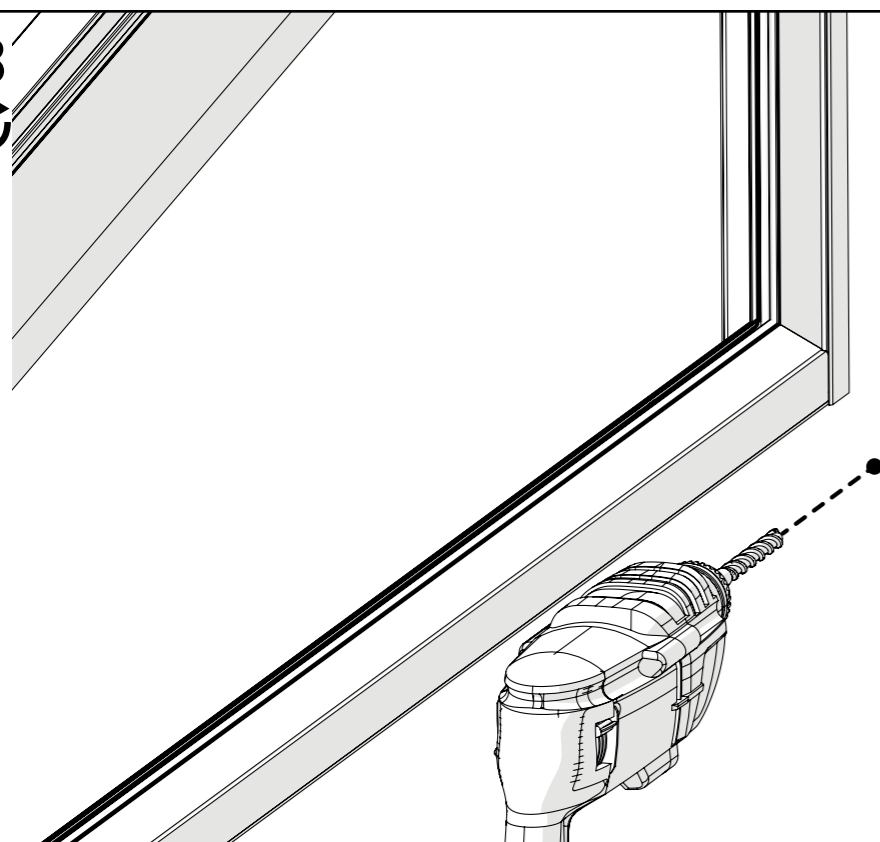
12



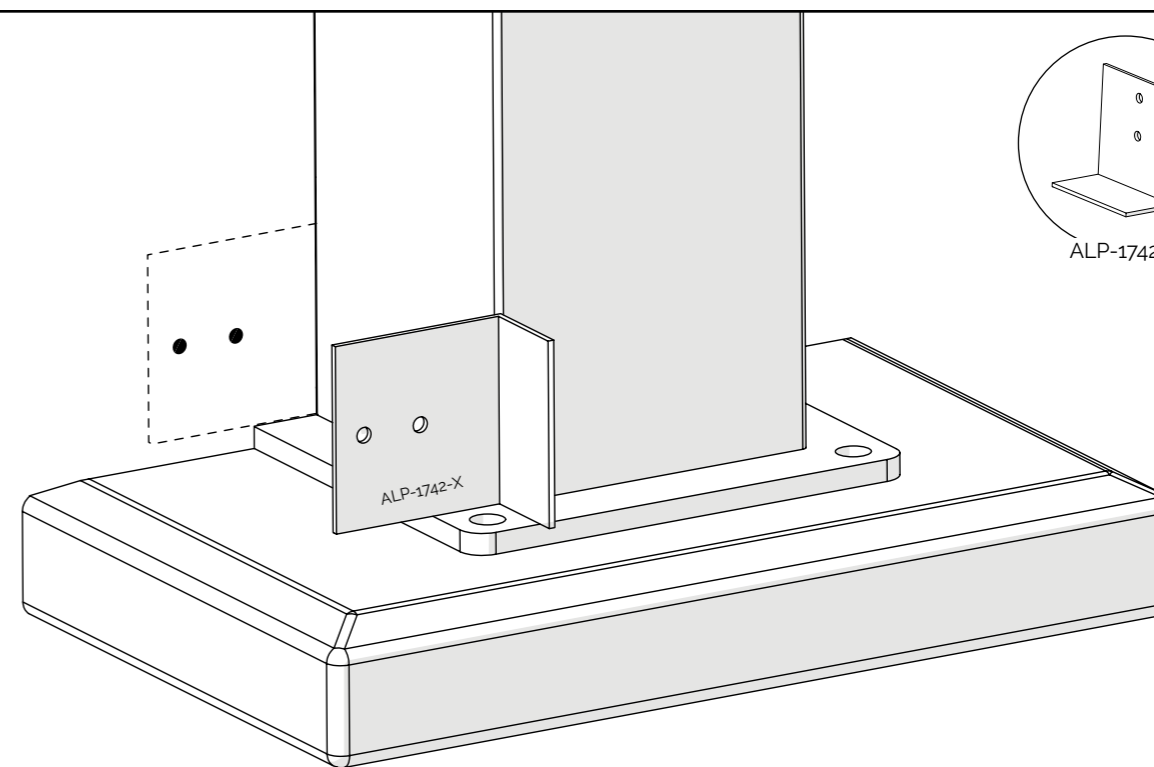
14



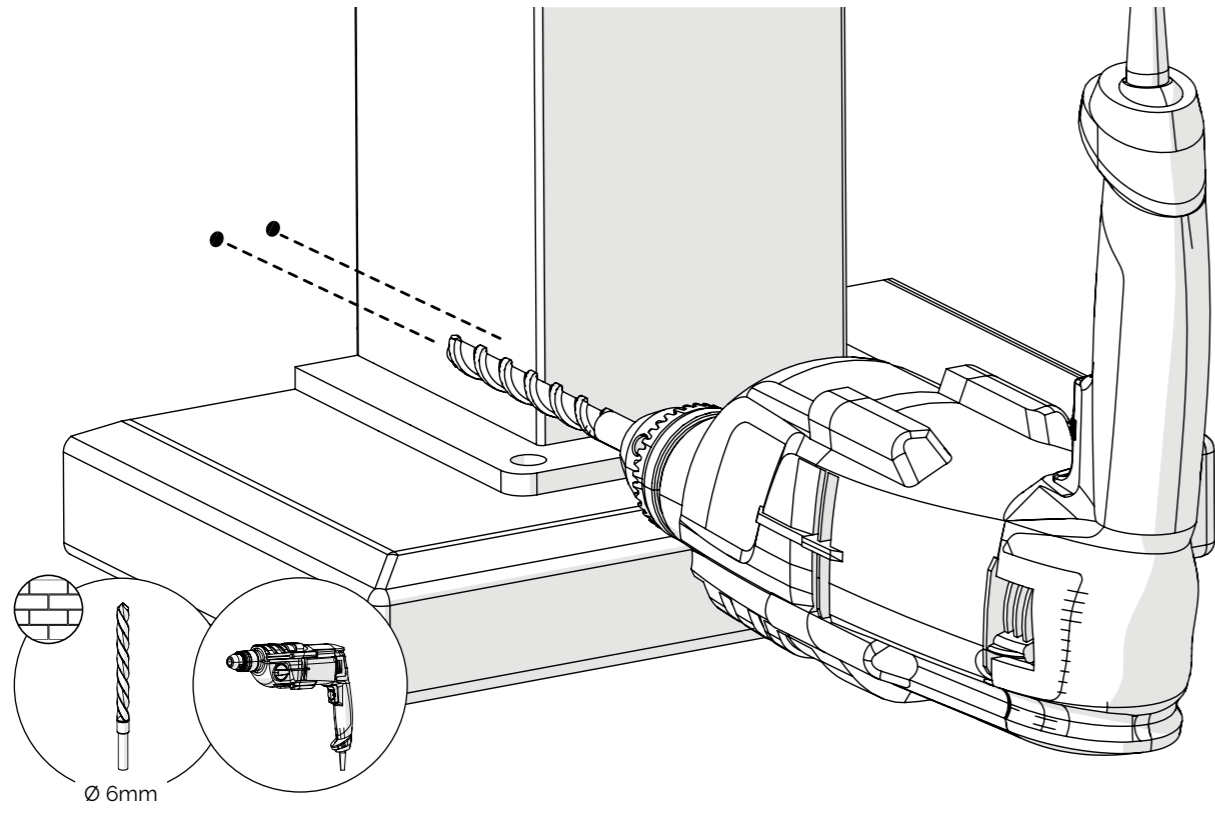
13



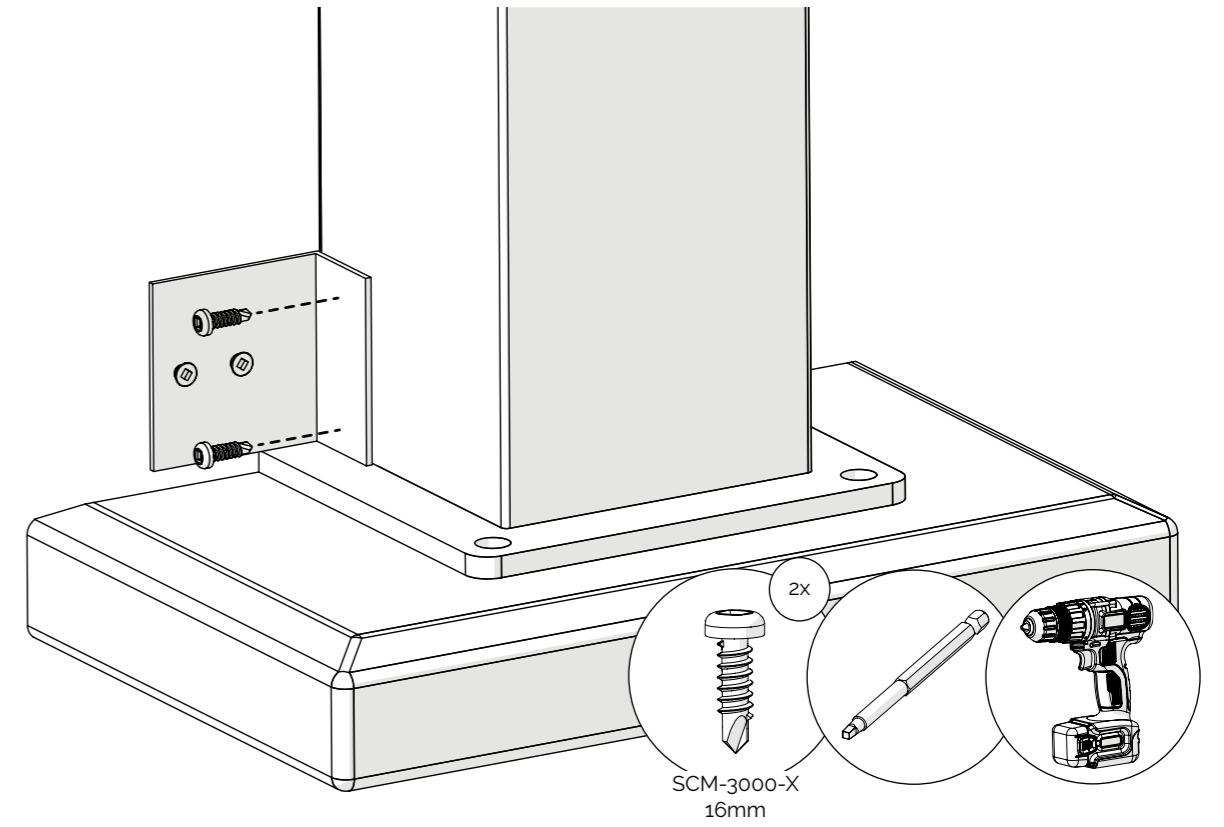
15



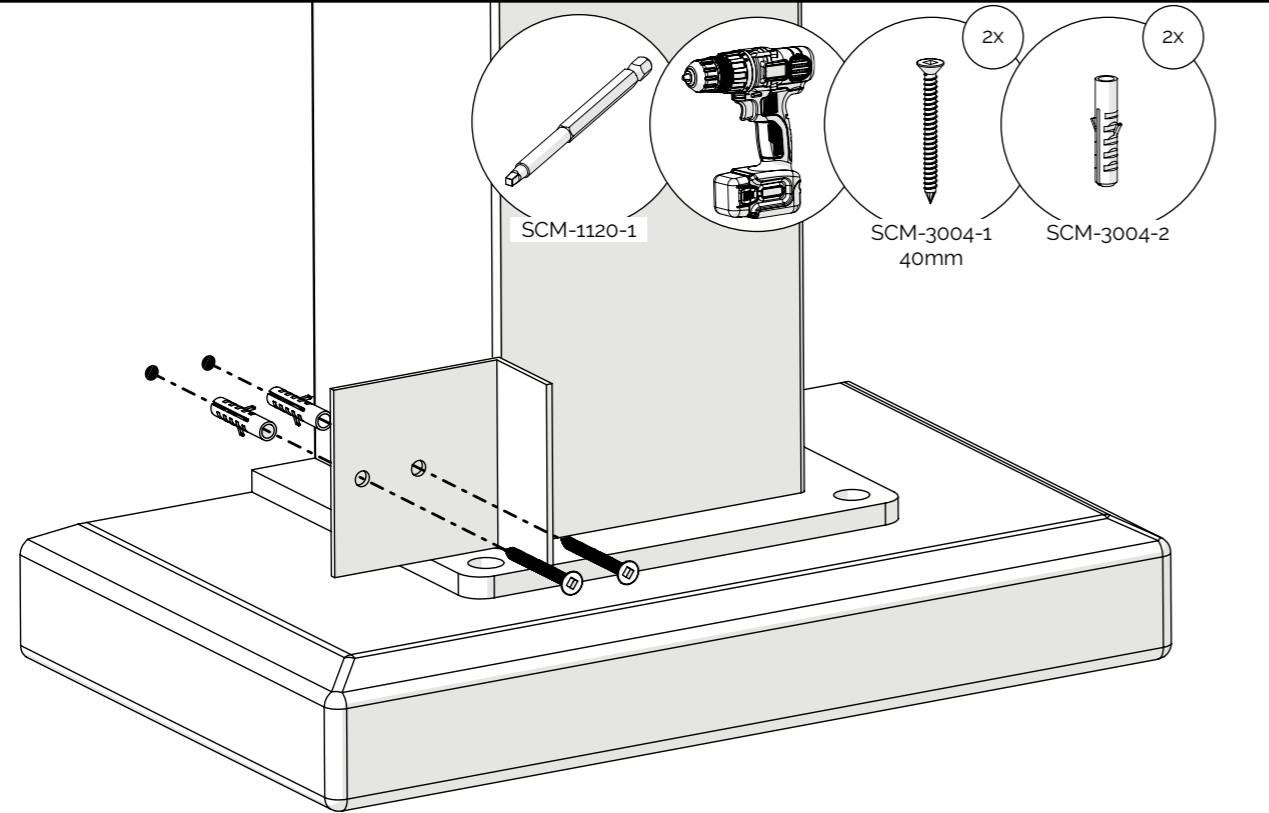
16
↻



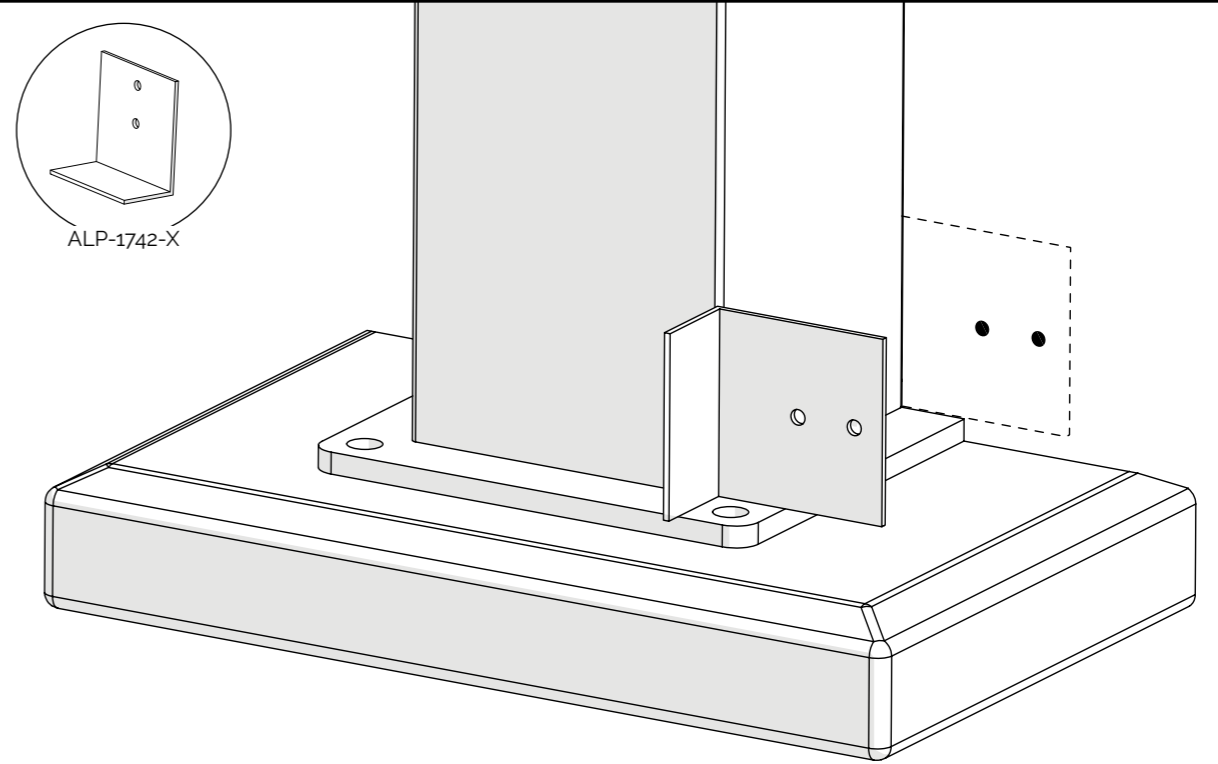
18
↻



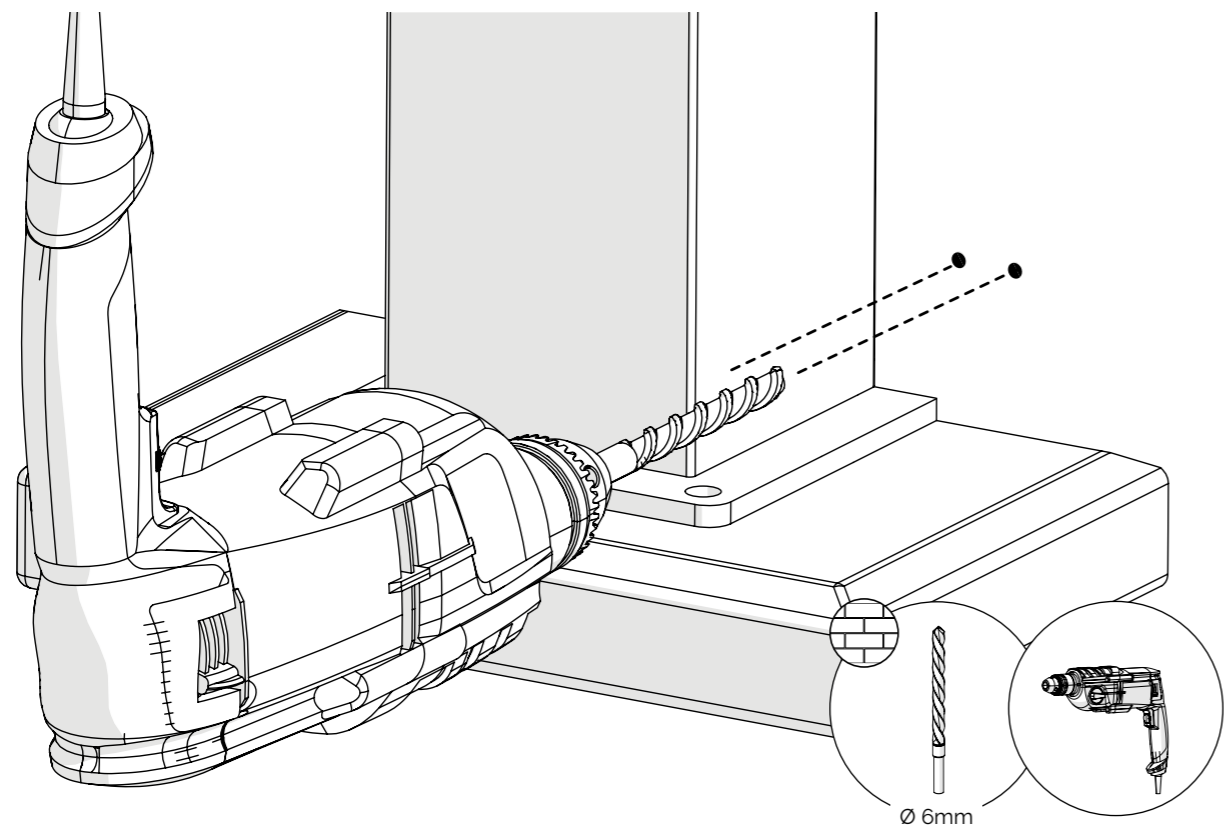
17
↻



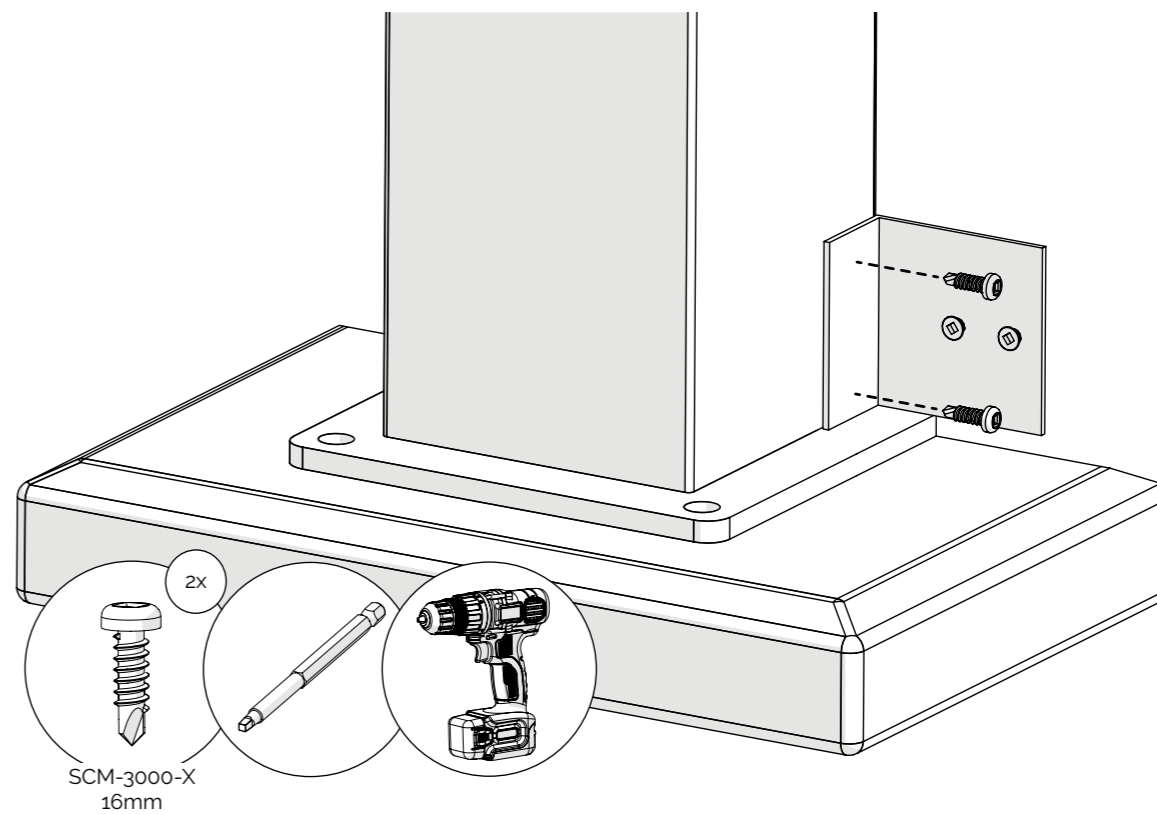
19
↻



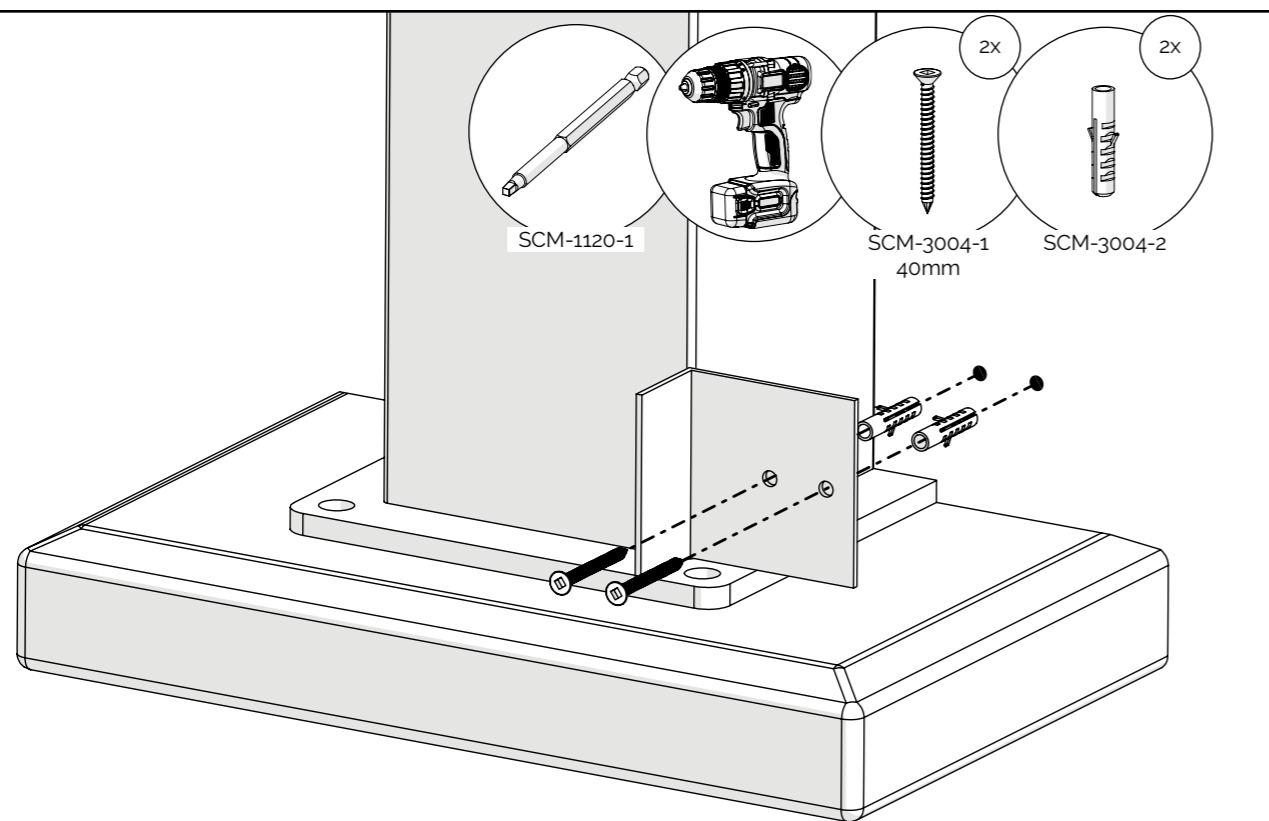
20
↻



22
↻



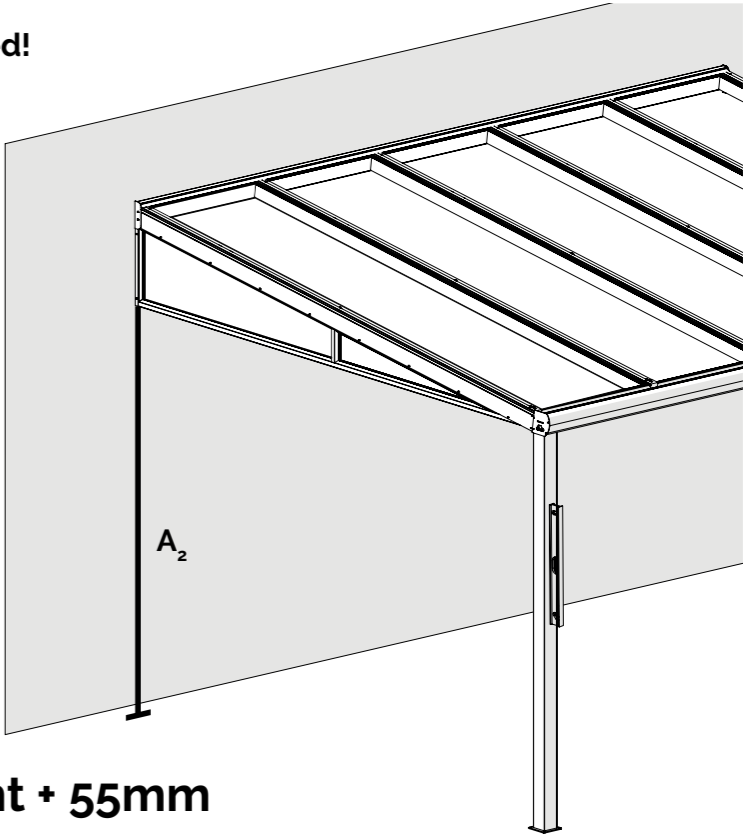
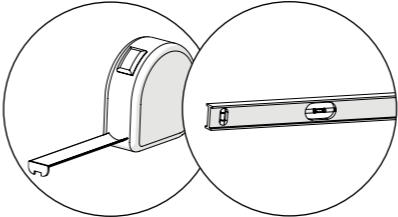
21
↻



FOUNDATION

23
↻

⚠ Check if poles are leveled!



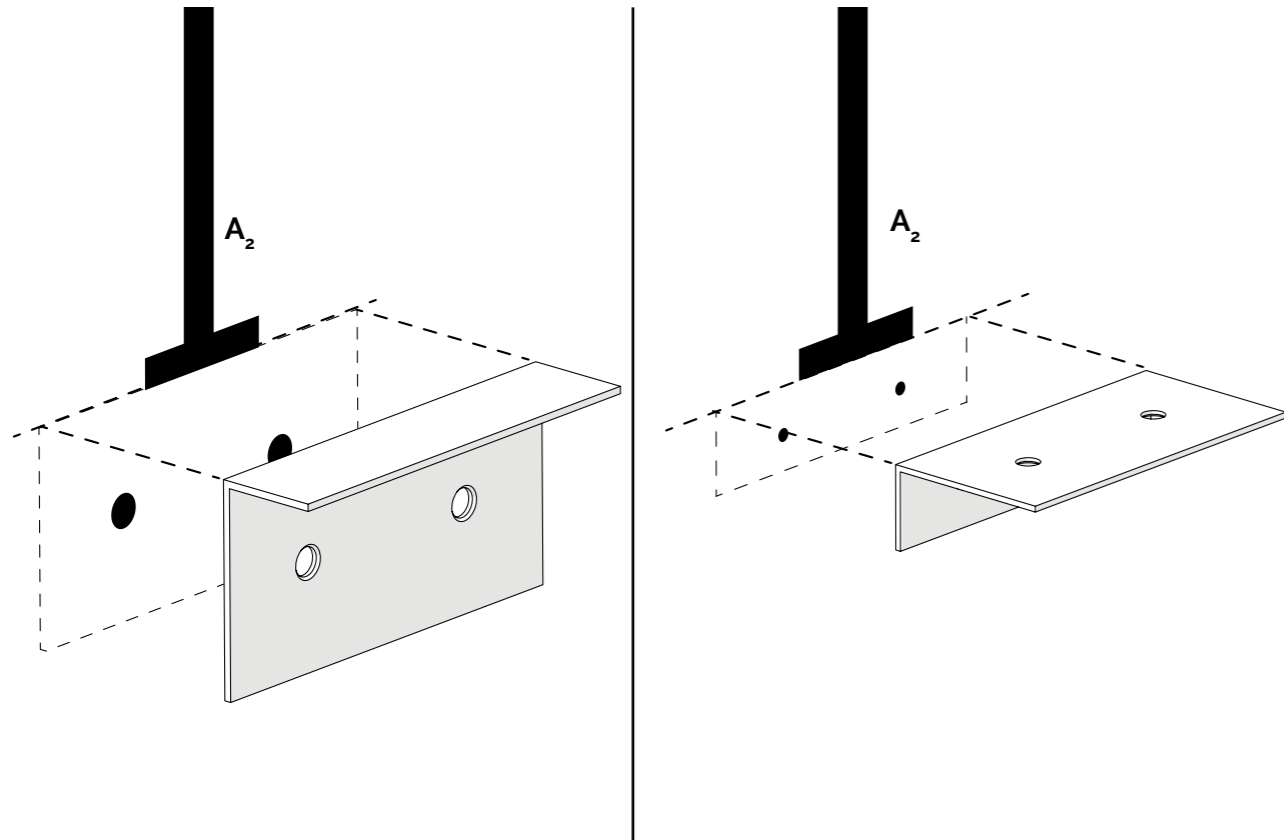
$A_2 = \text{desired system height} + 55\text{mm}$

24
↻

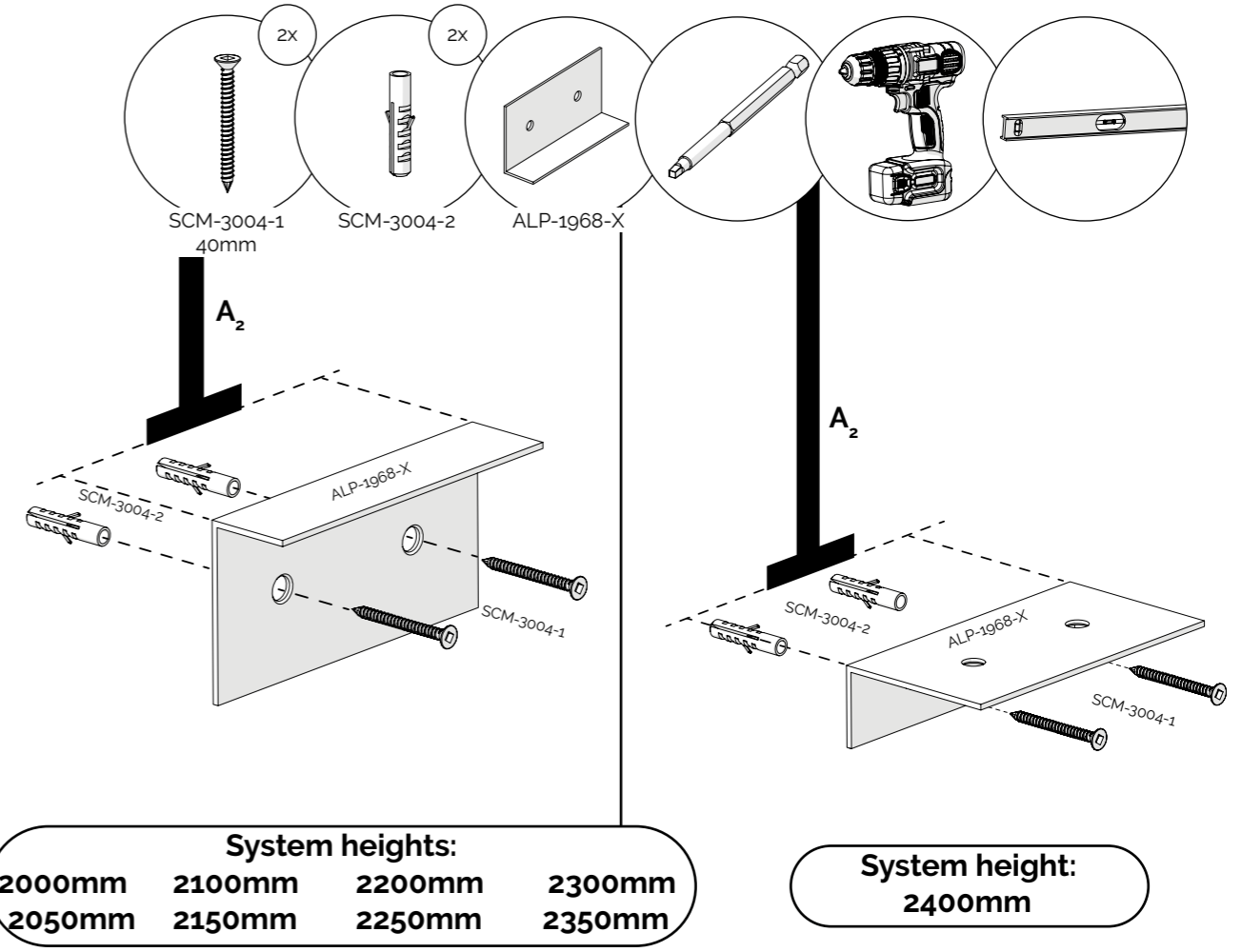
System heights:			
2000mm	2100mm	2200mm	2300mm
2050mm	2150mm	2250mm	2350mm

System height: 2400mm

25
↻



27
↻

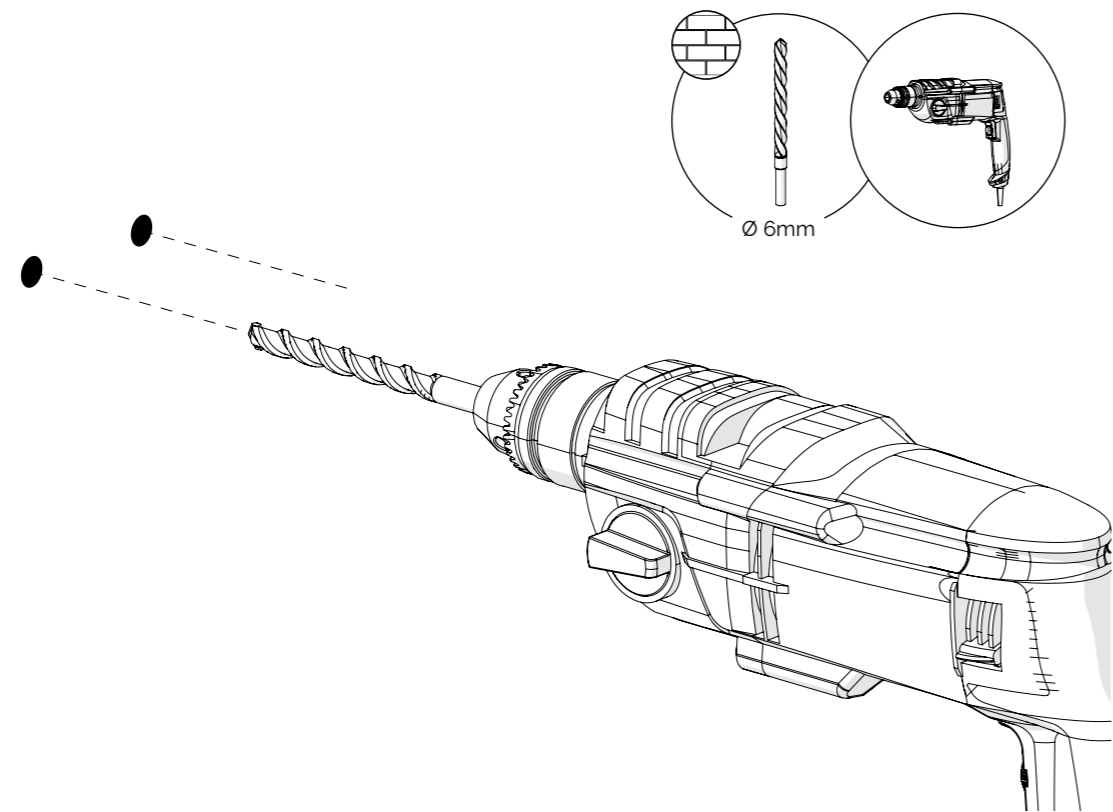


System heights:

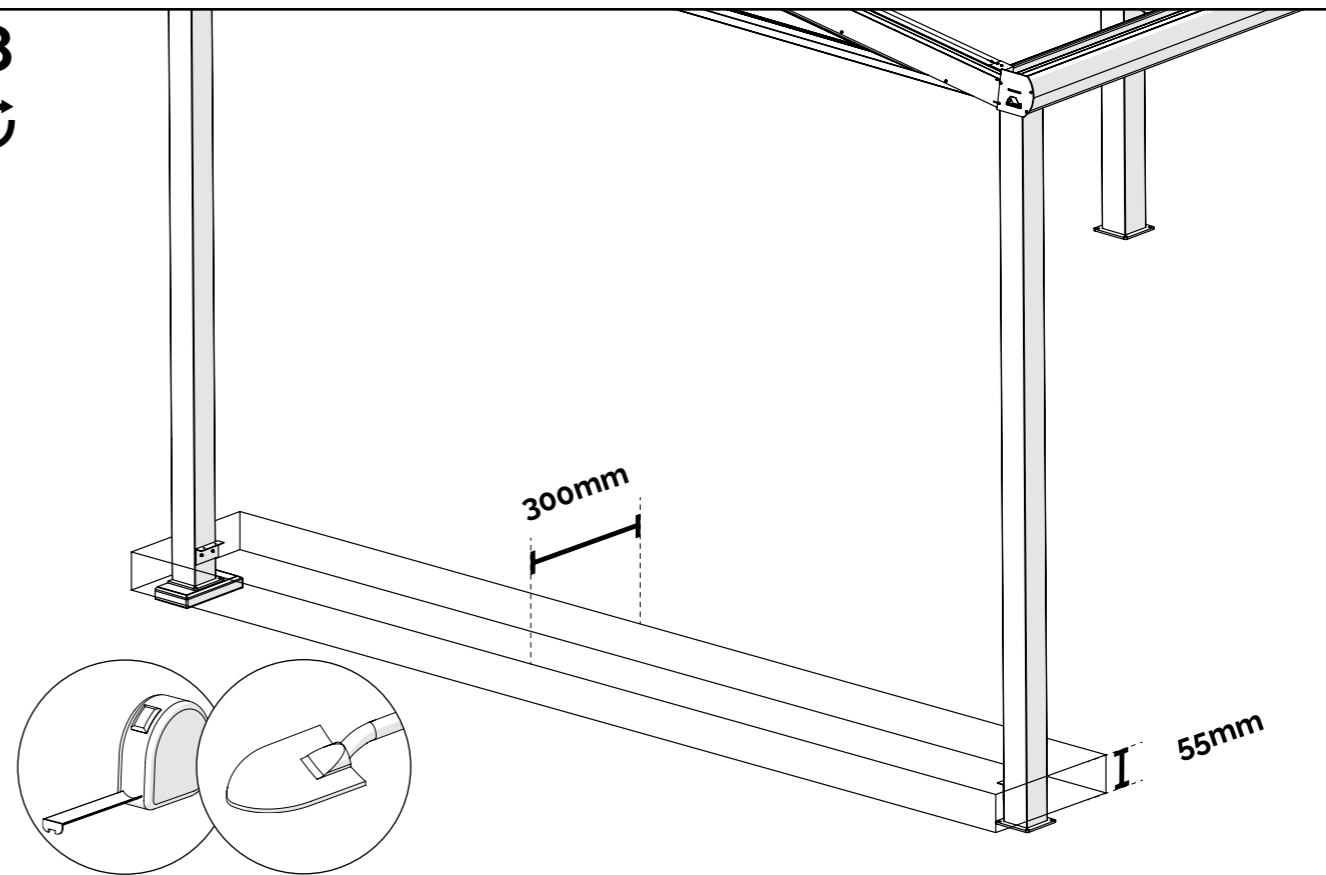
2000mm	2100mm	2200mm	2300mm
2050mm	2150mm	2250mm	2350mm

System height:
2400mm

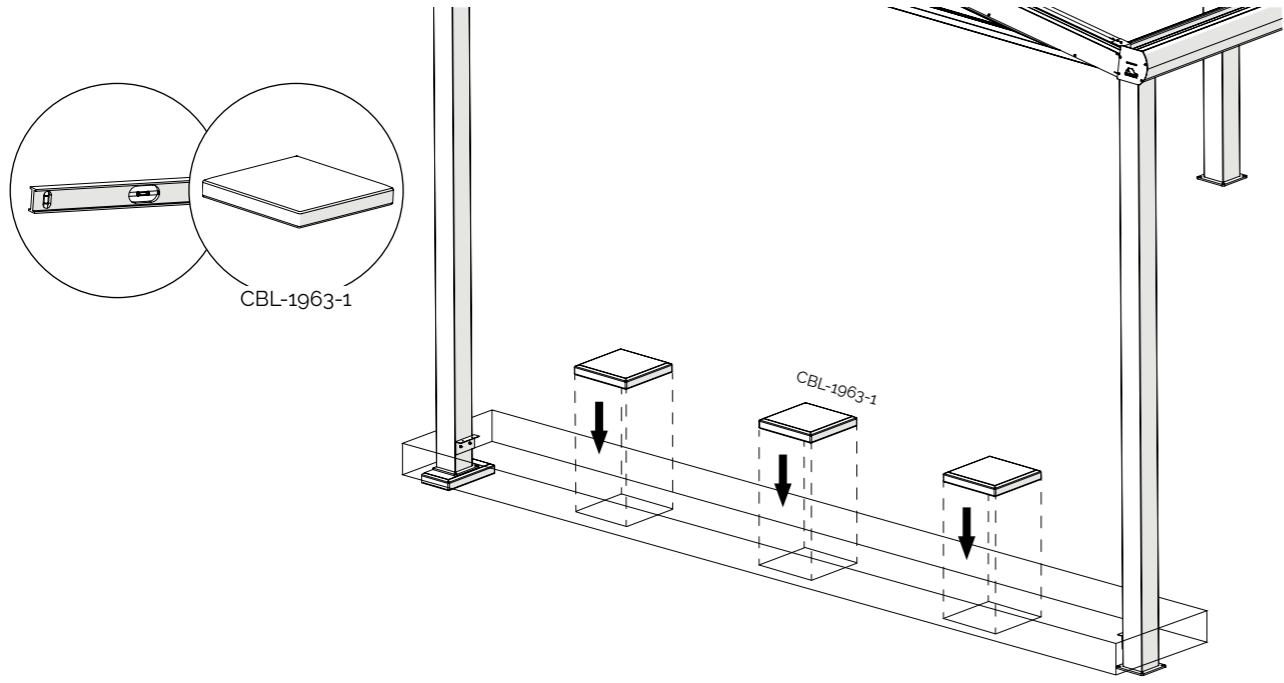
26
↻



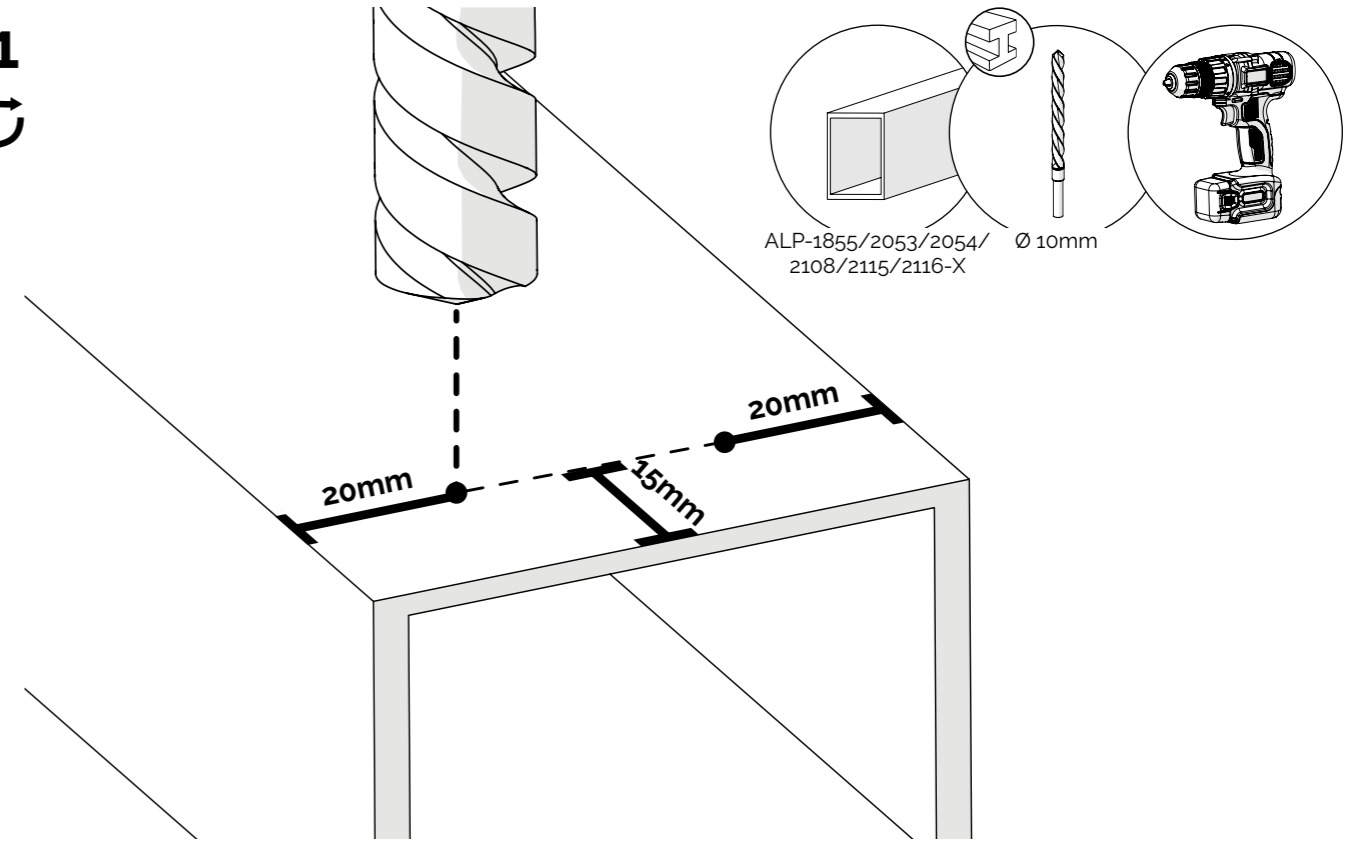
28
↻



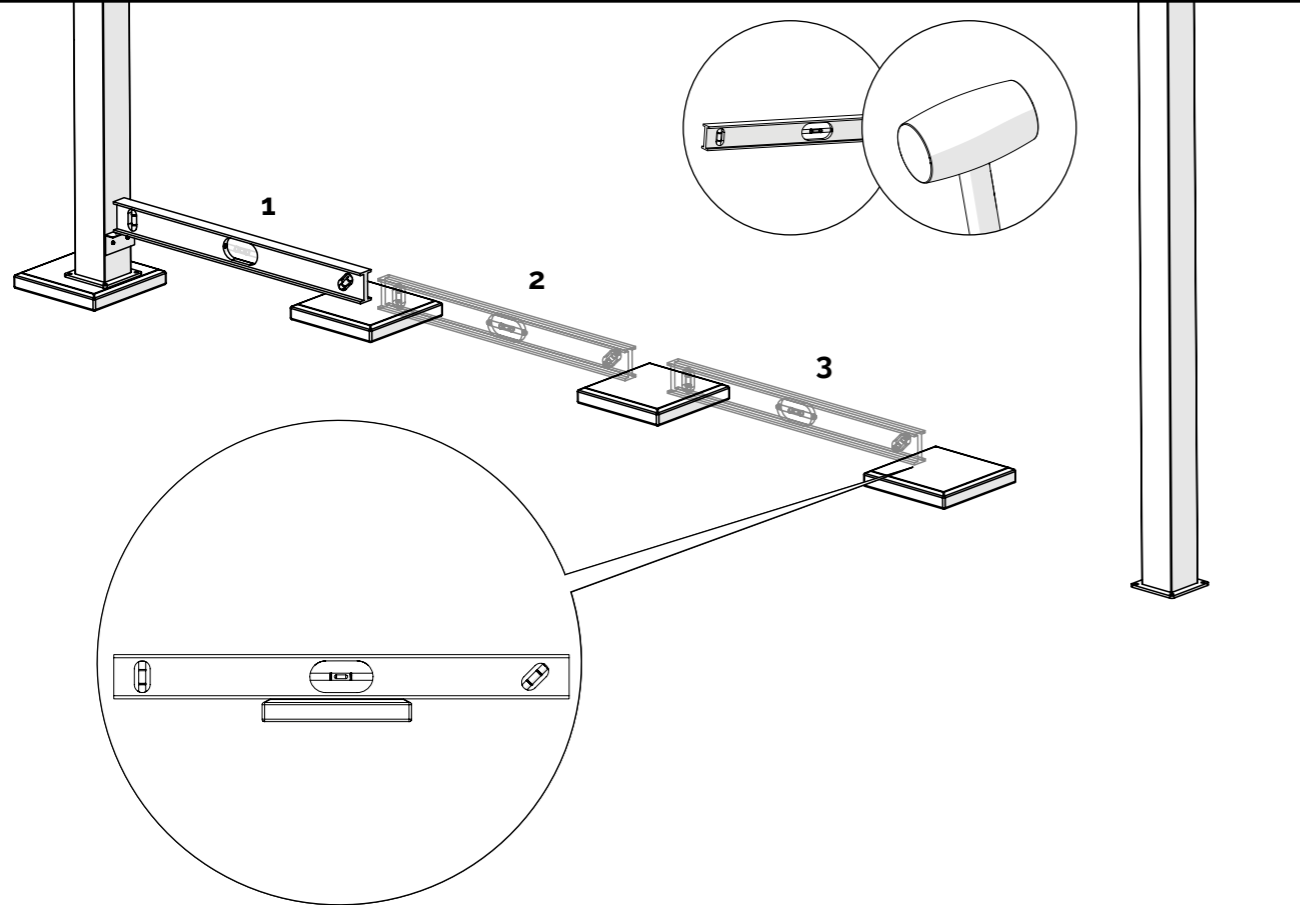
29



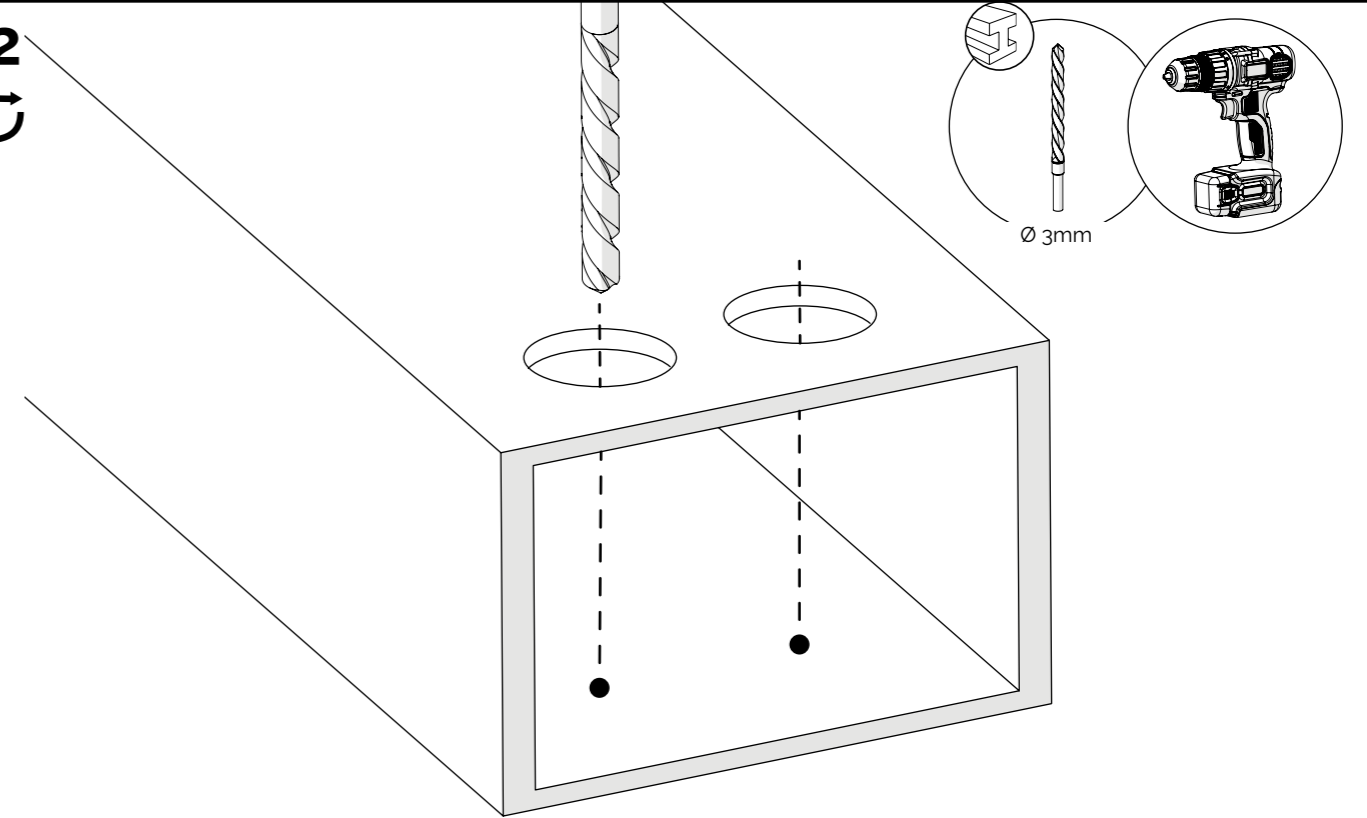
31



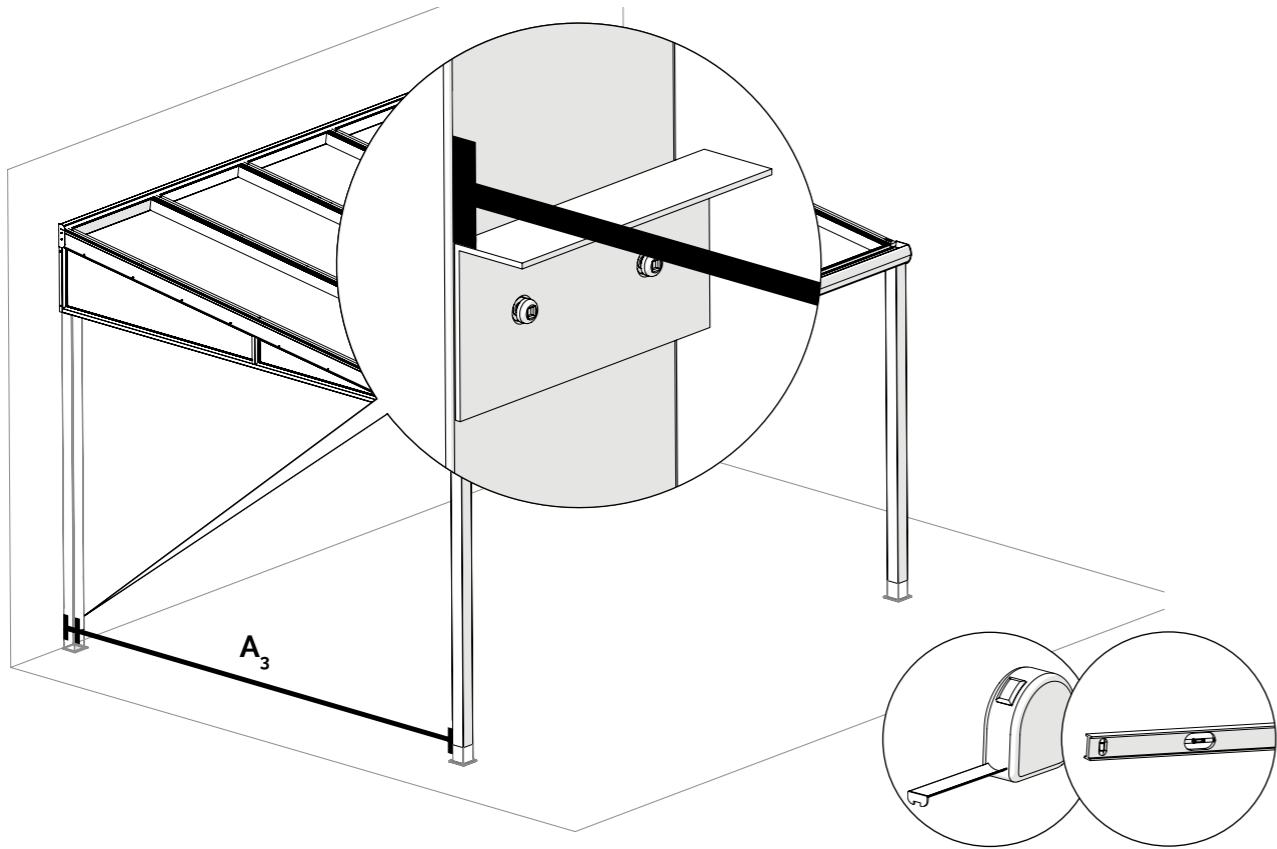
30



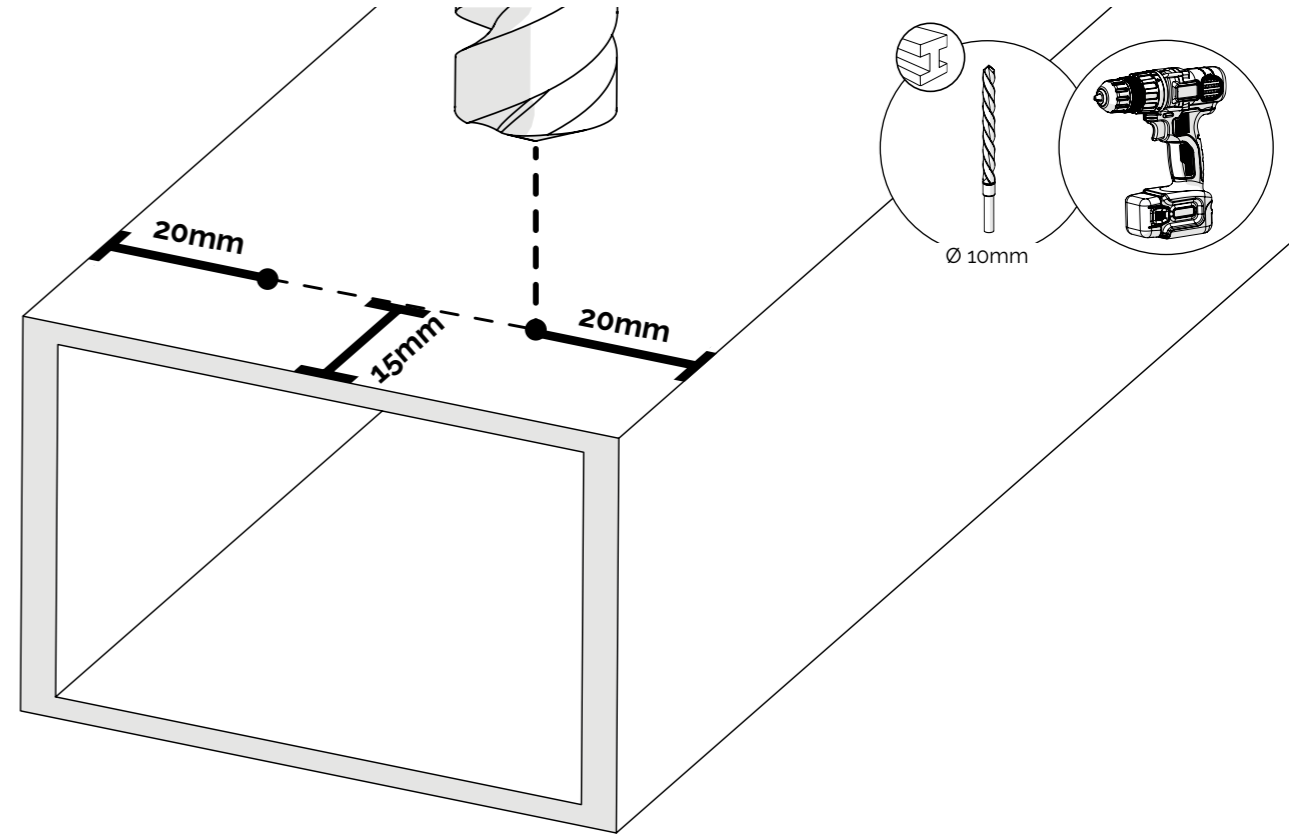
32



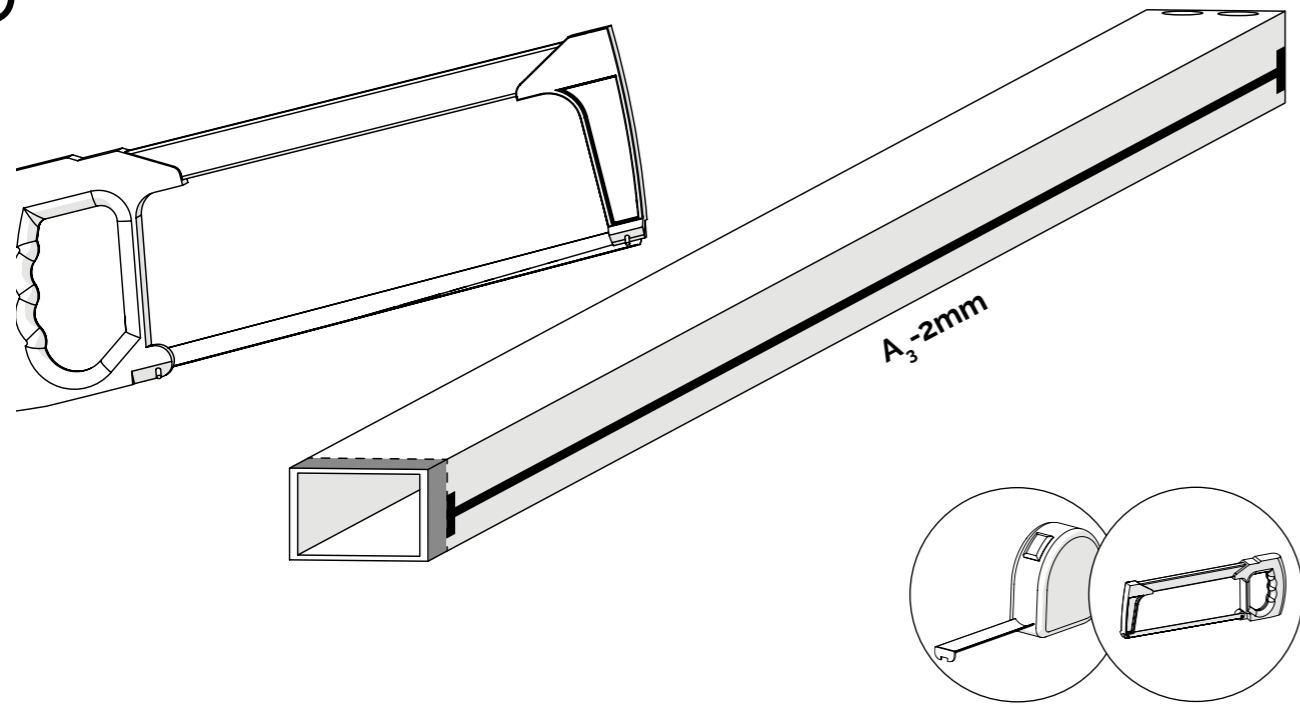
33
↻



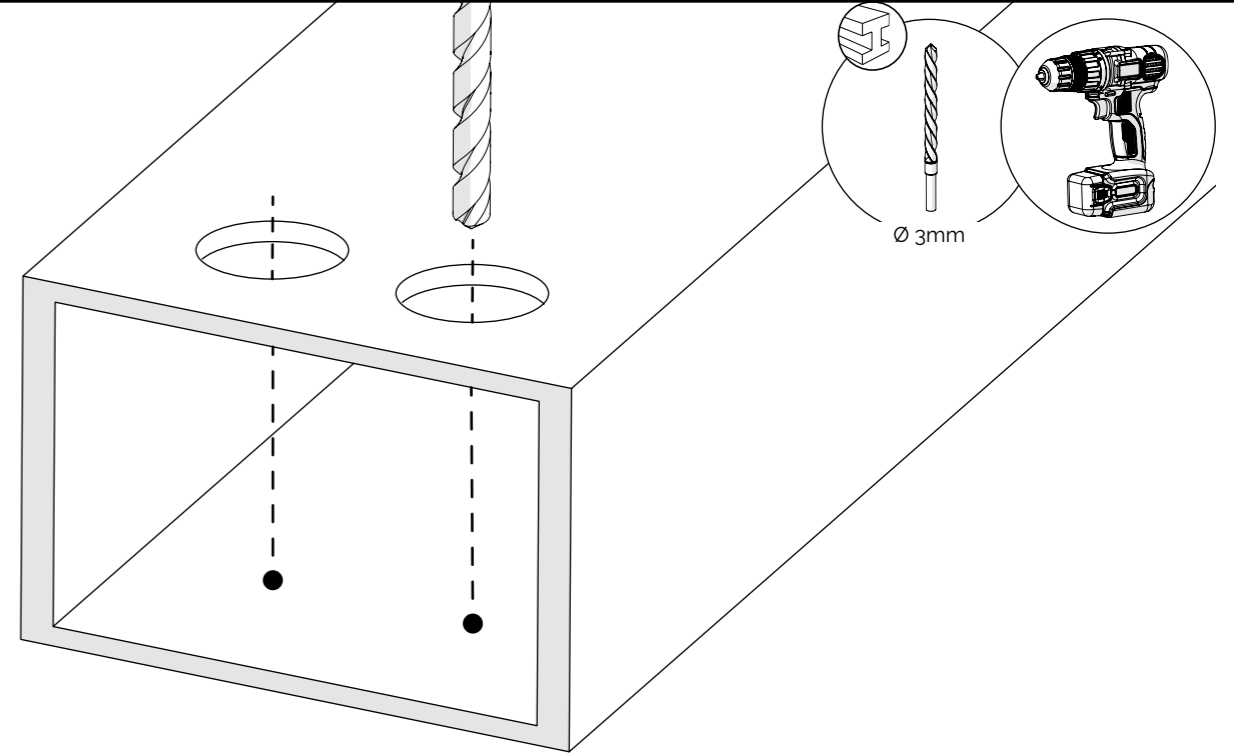
35
↻



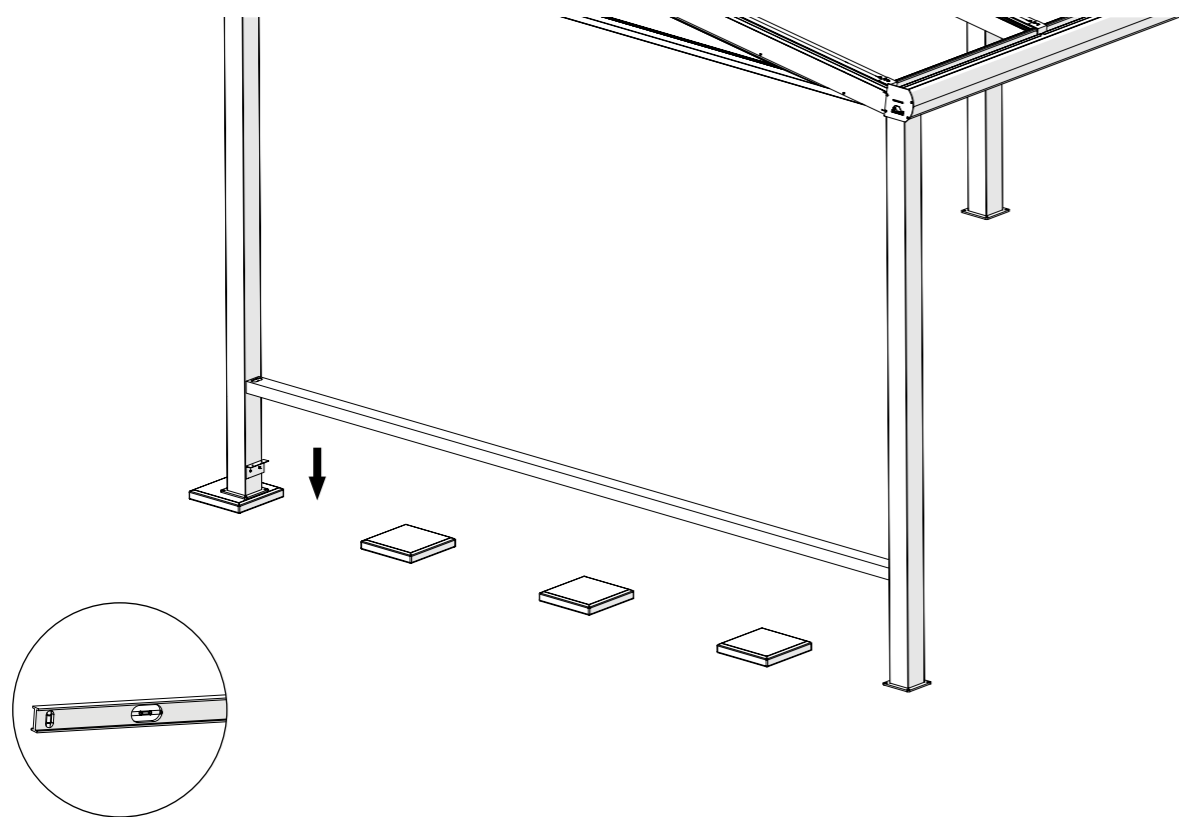
34
↻



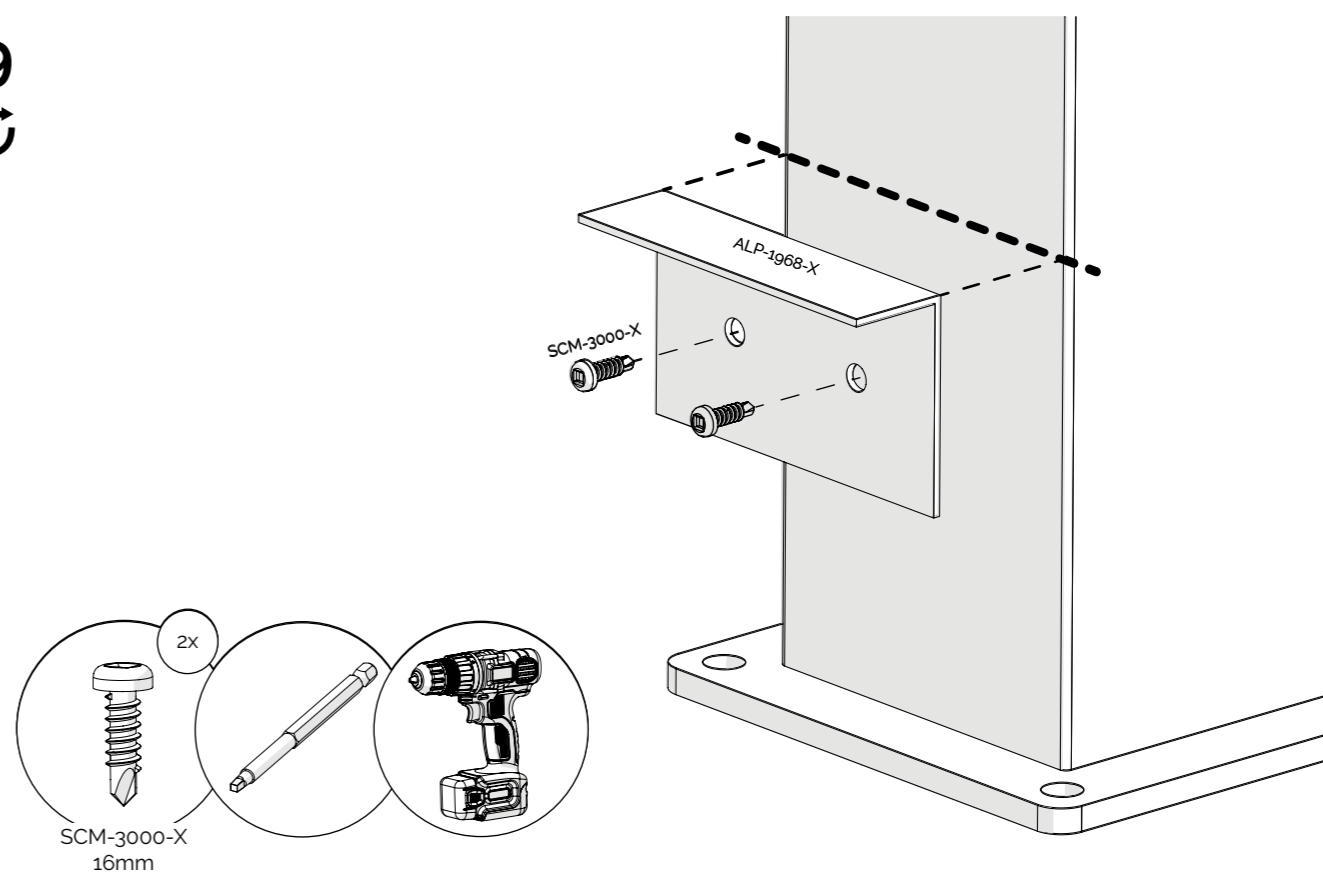
36
↻



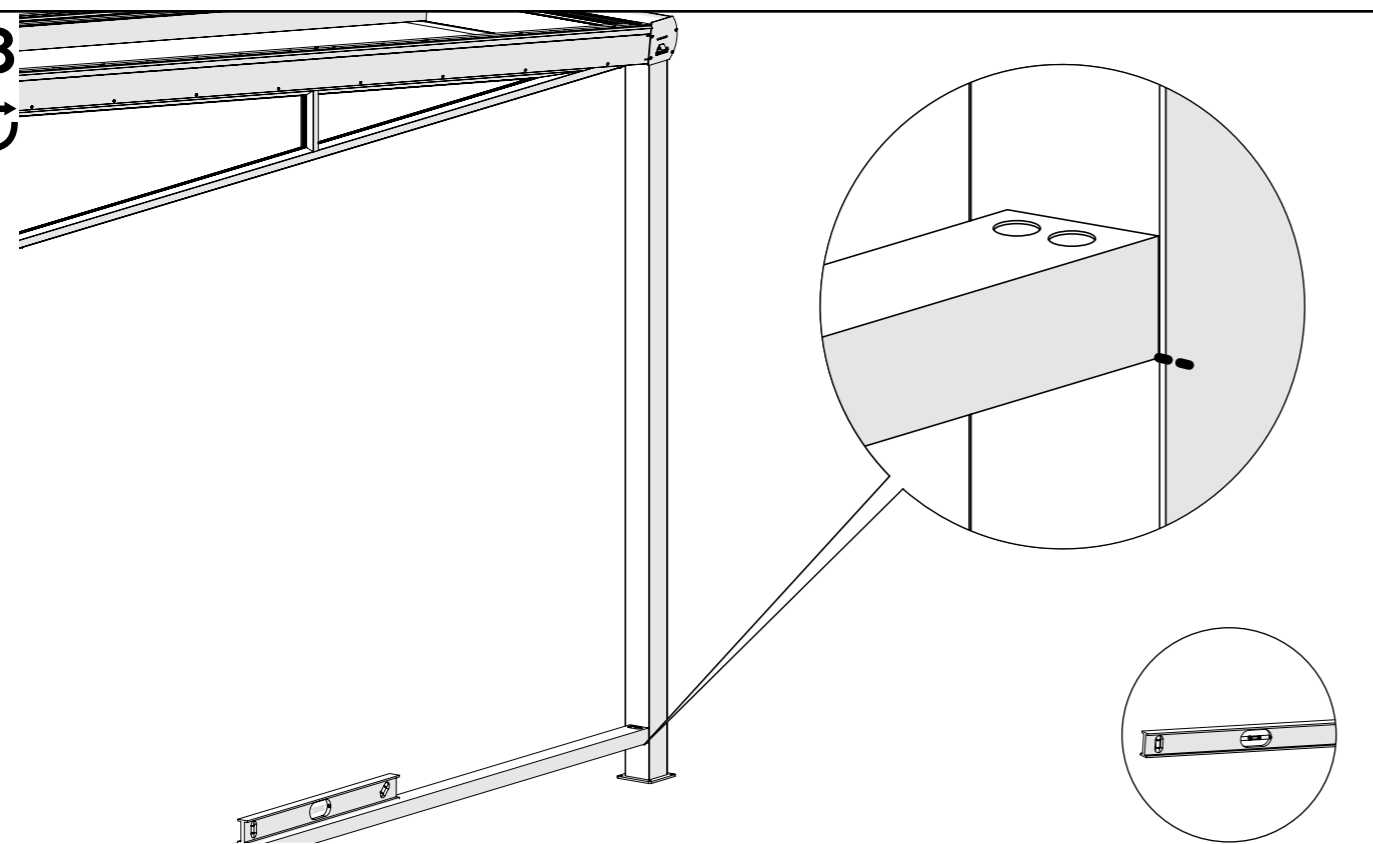
37
U



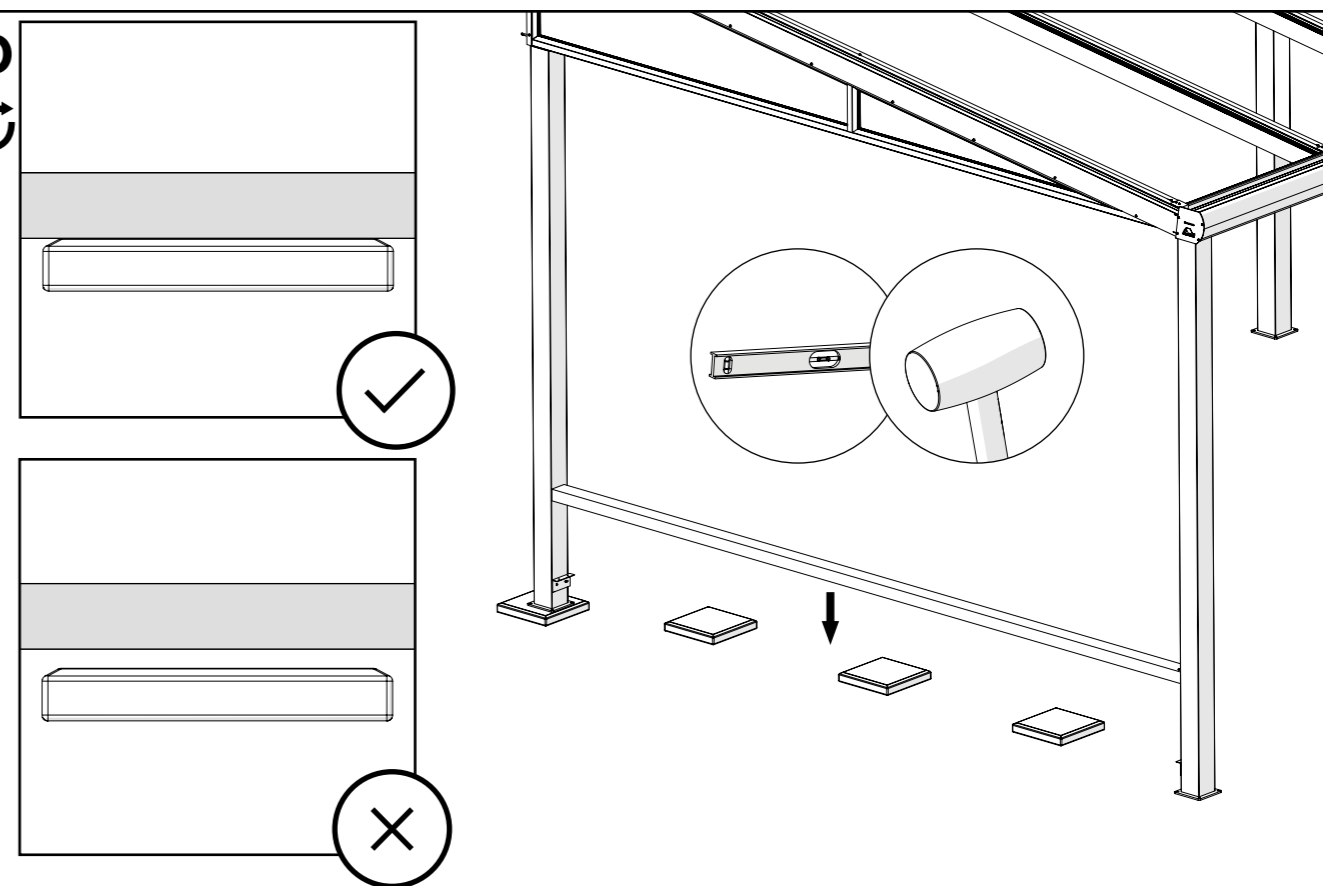
39
U



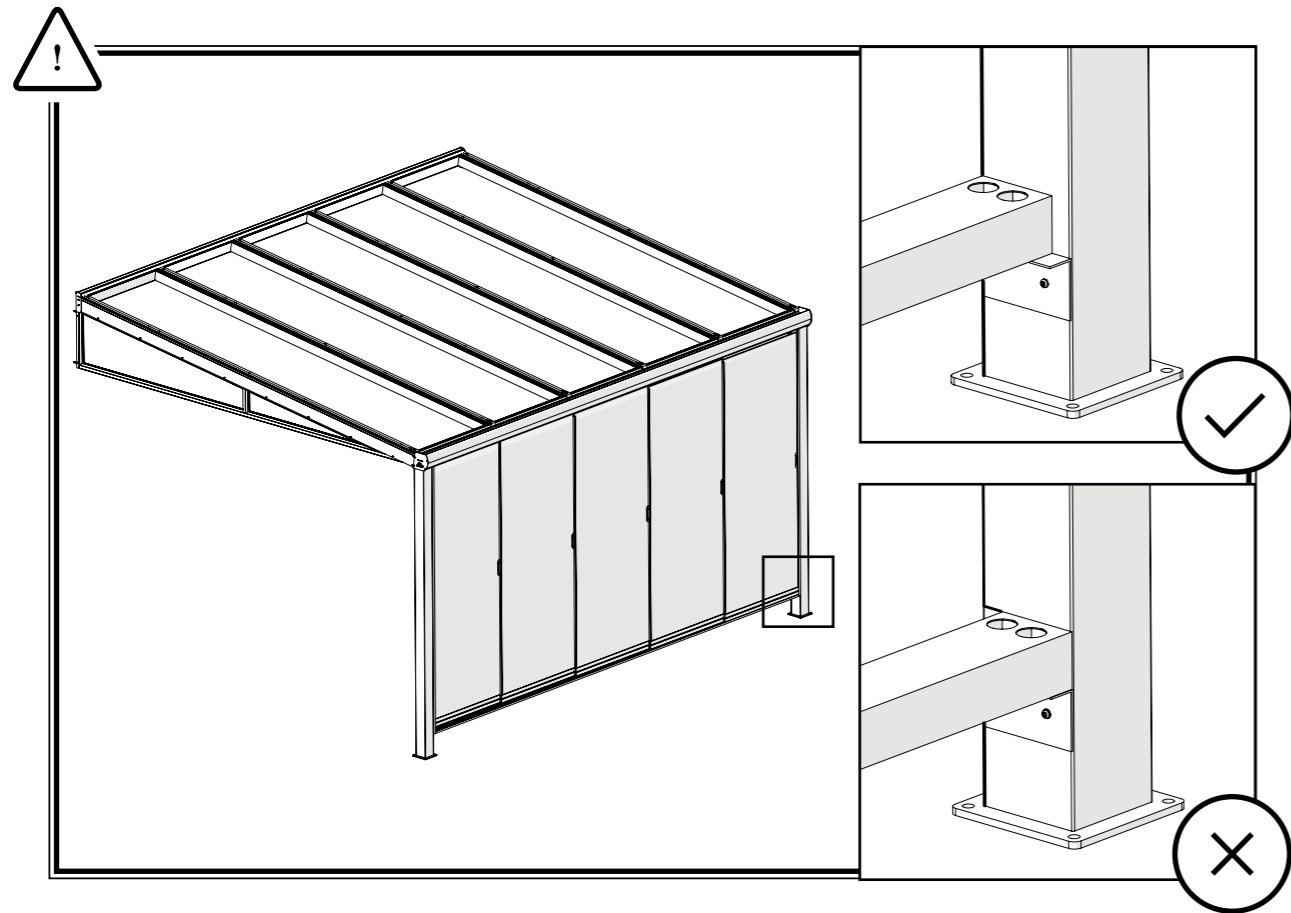
38
U



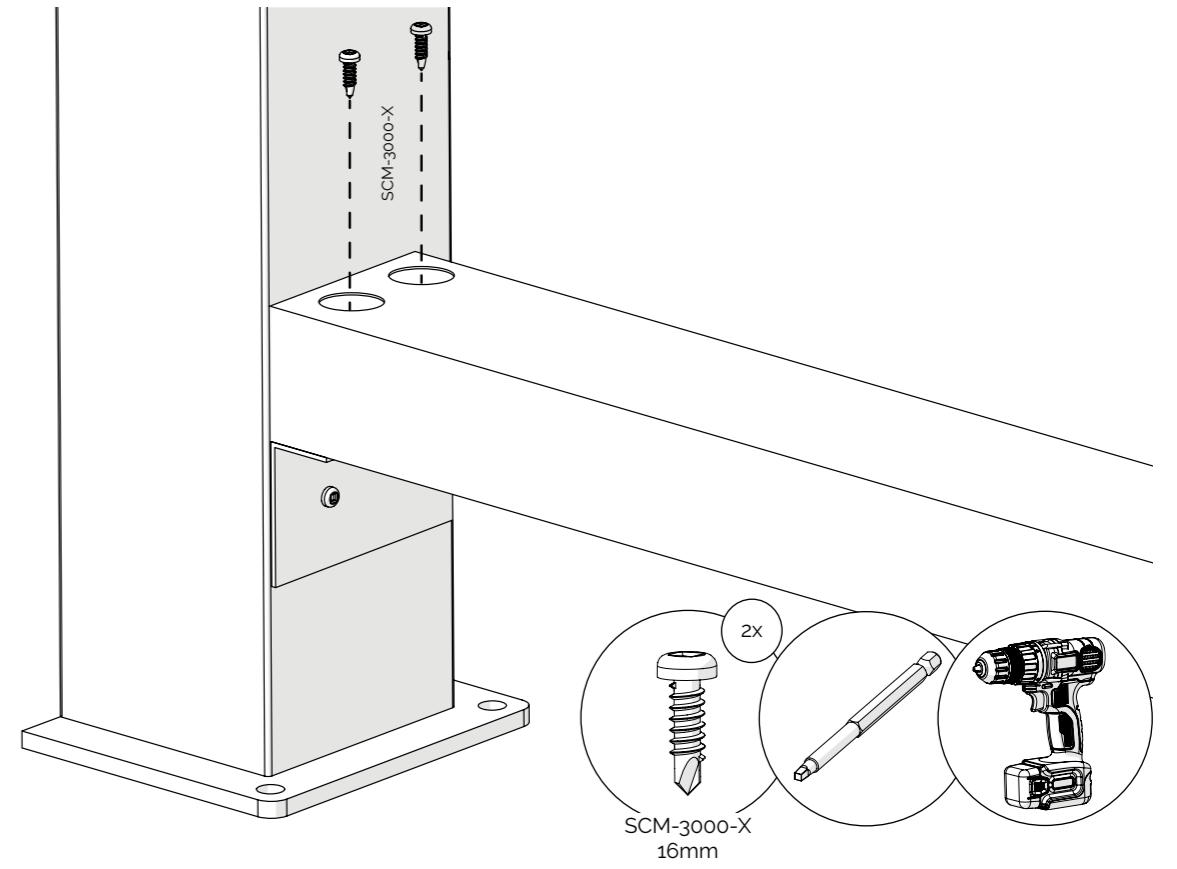
40
U



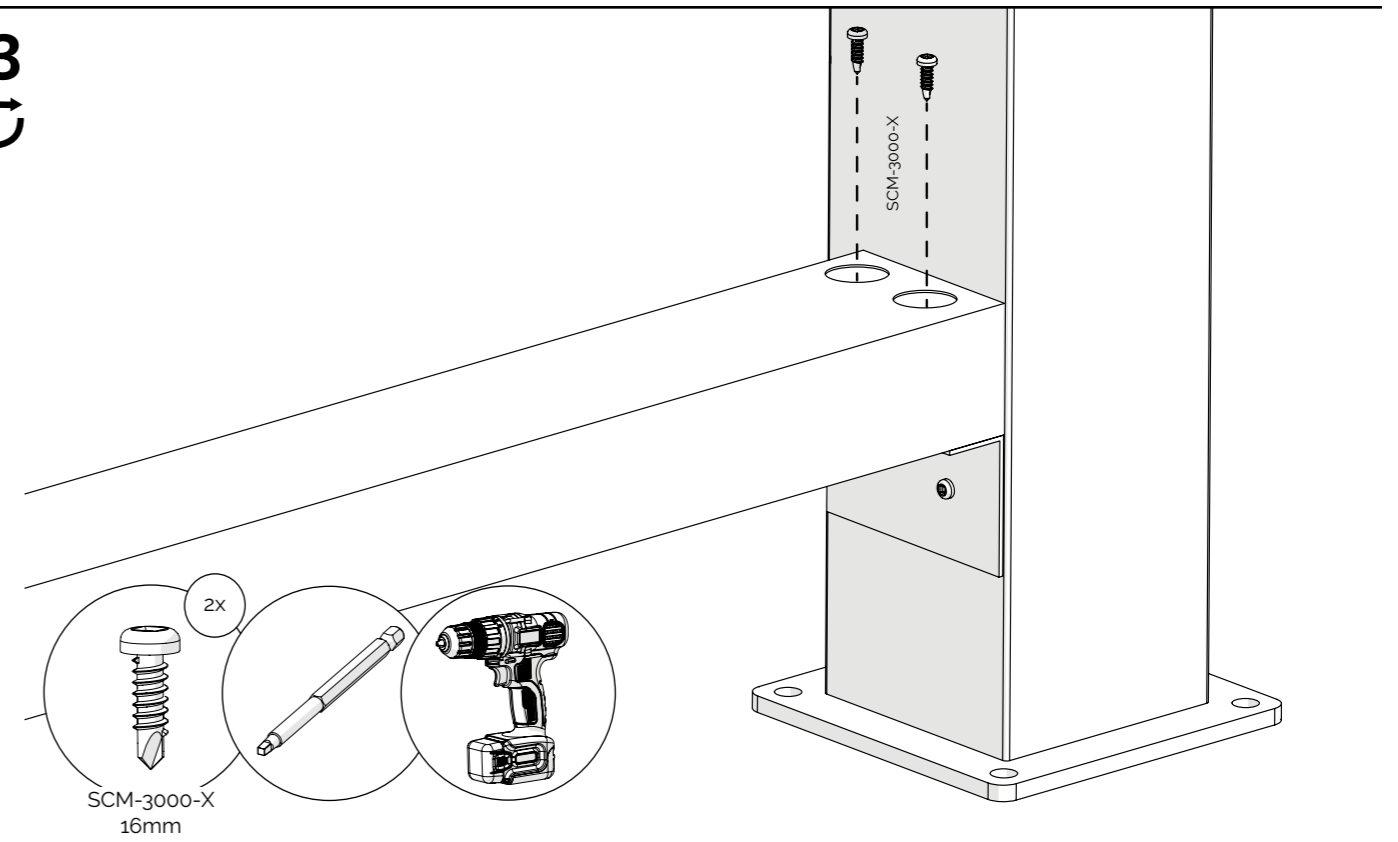
41



42

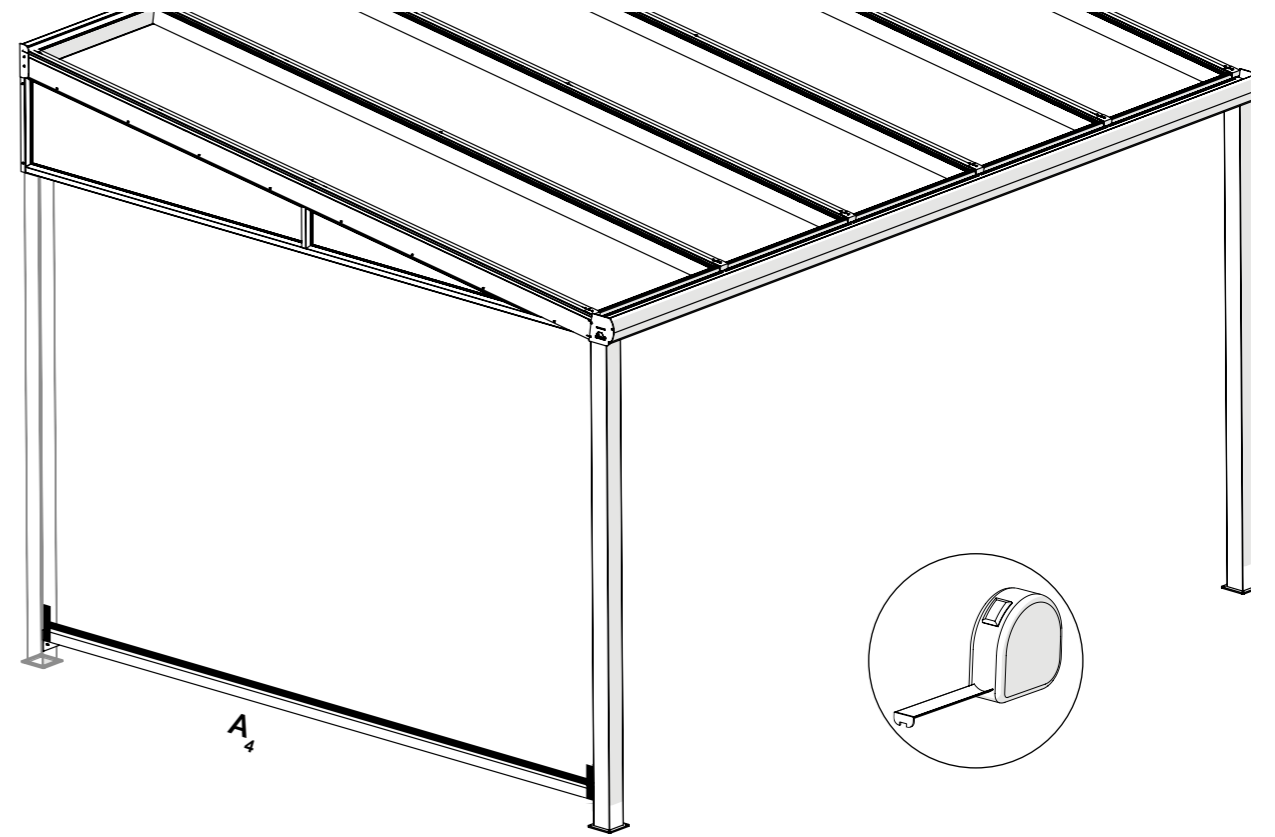


43

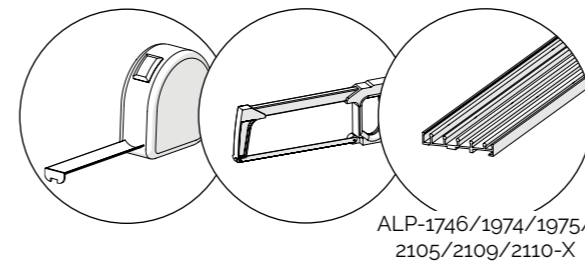
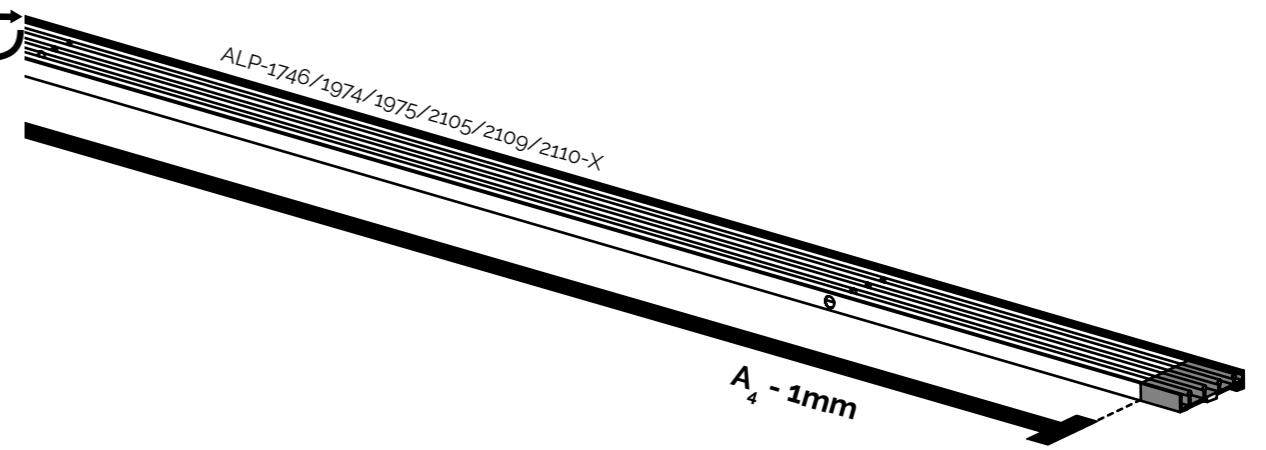


BOTTOM RAIL

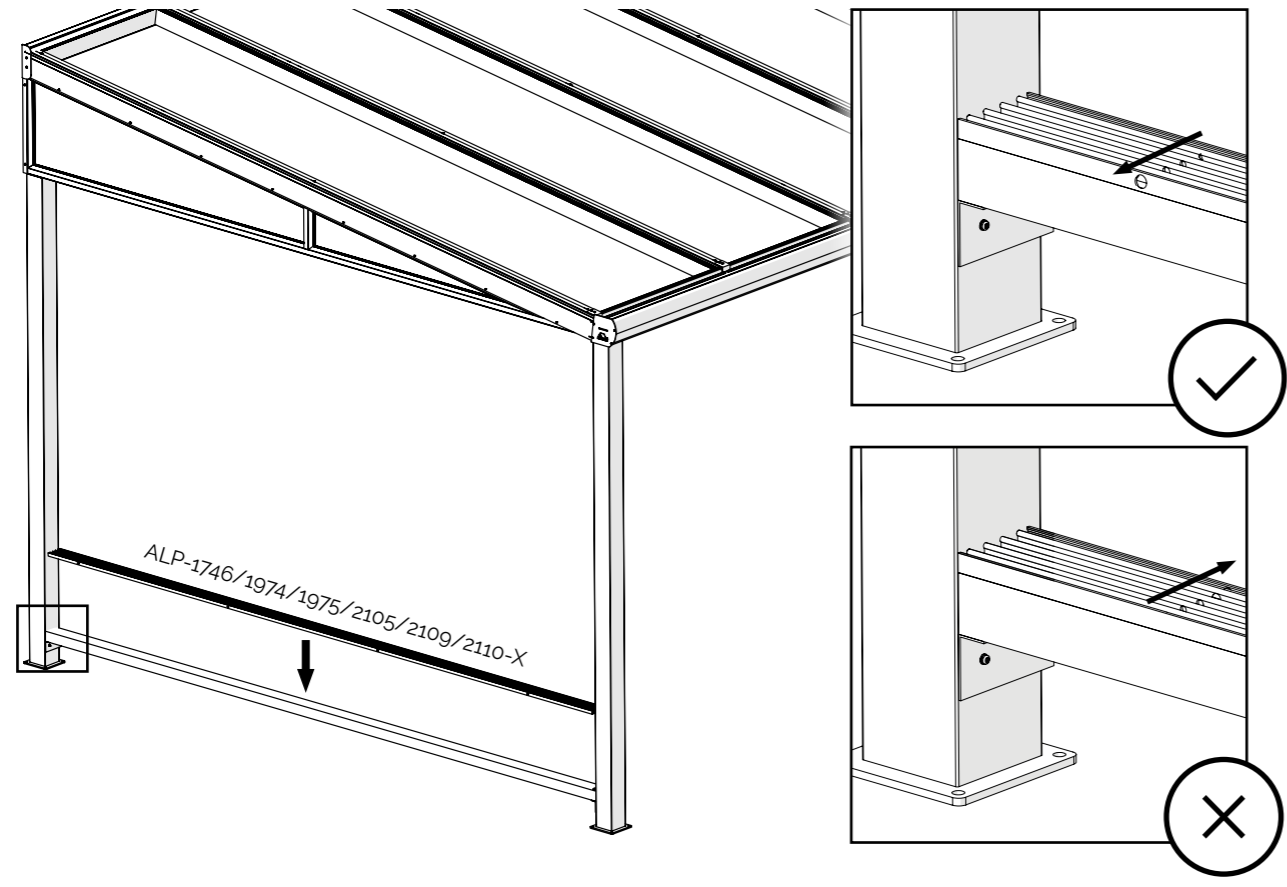
44
↻



45
↻

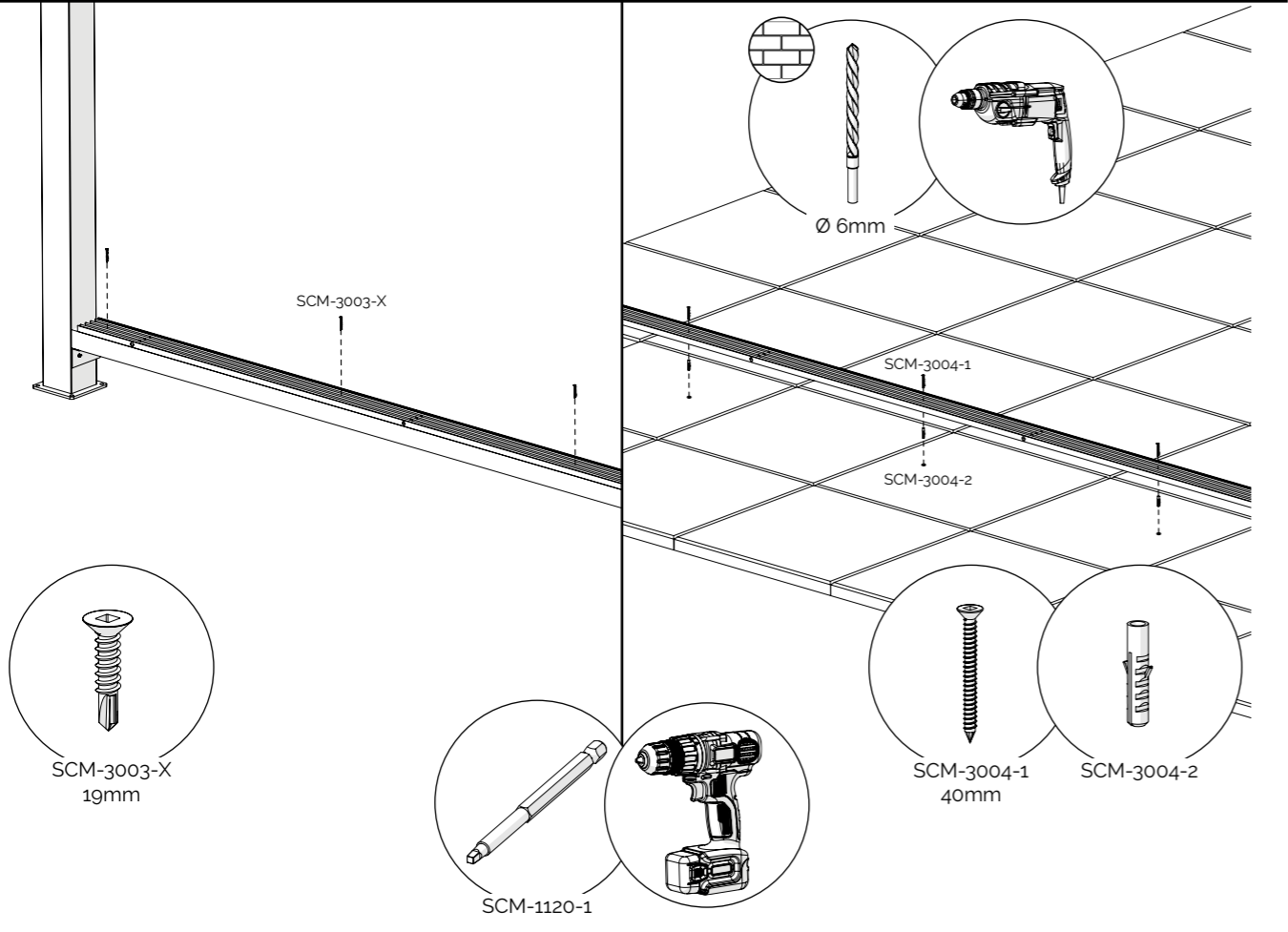


46
↻

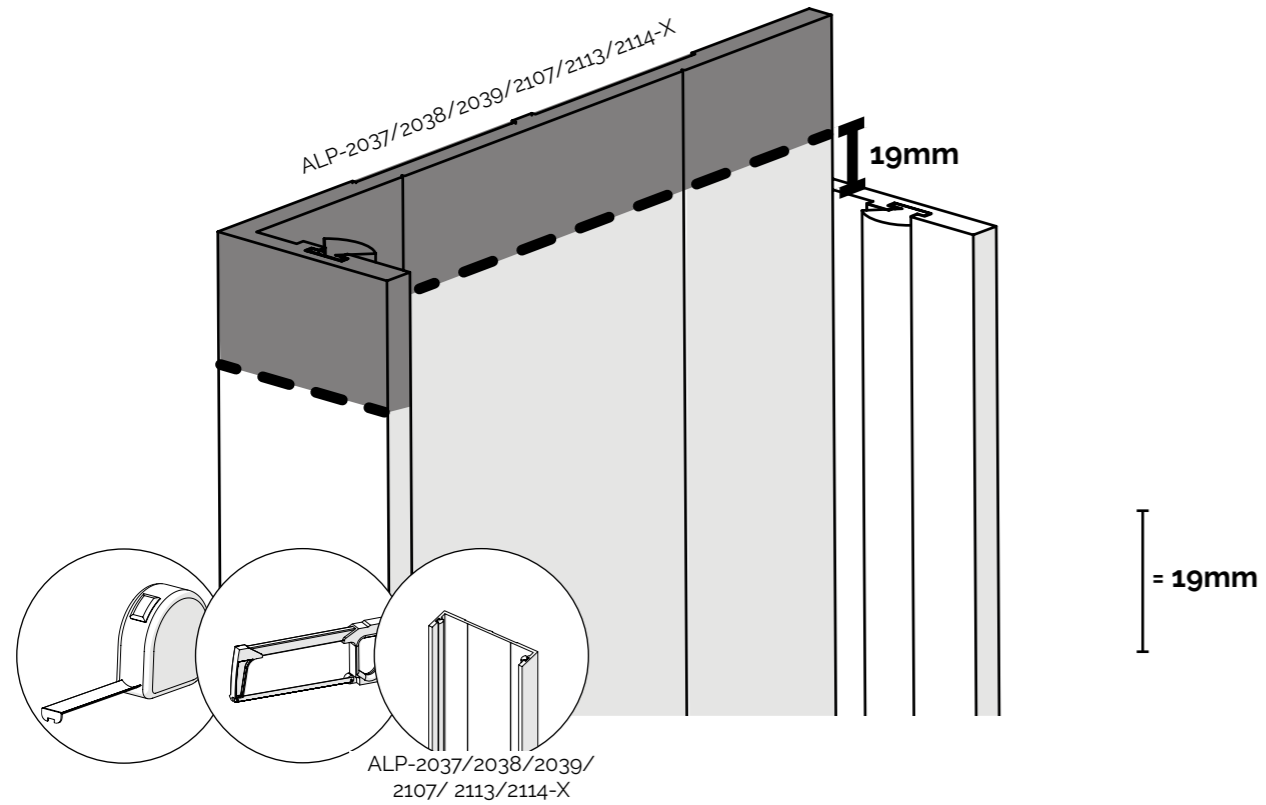


U-PROFILE

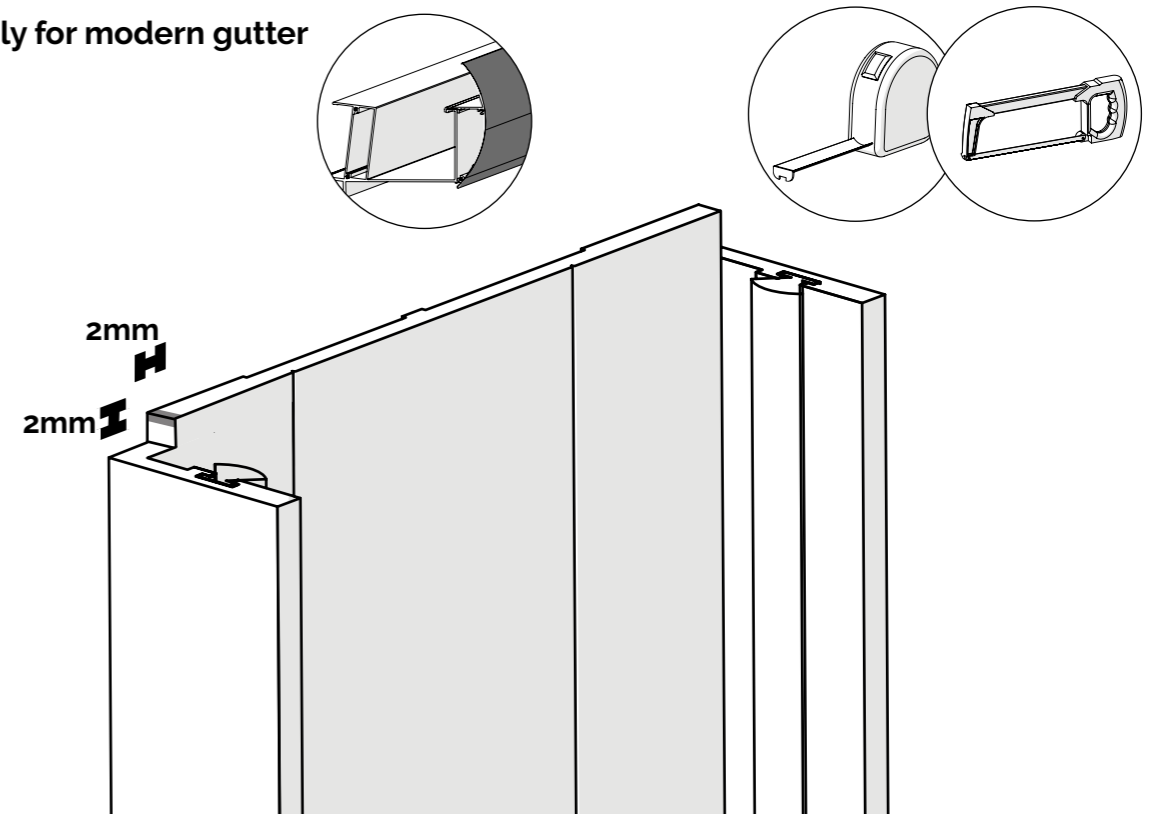
47
↻



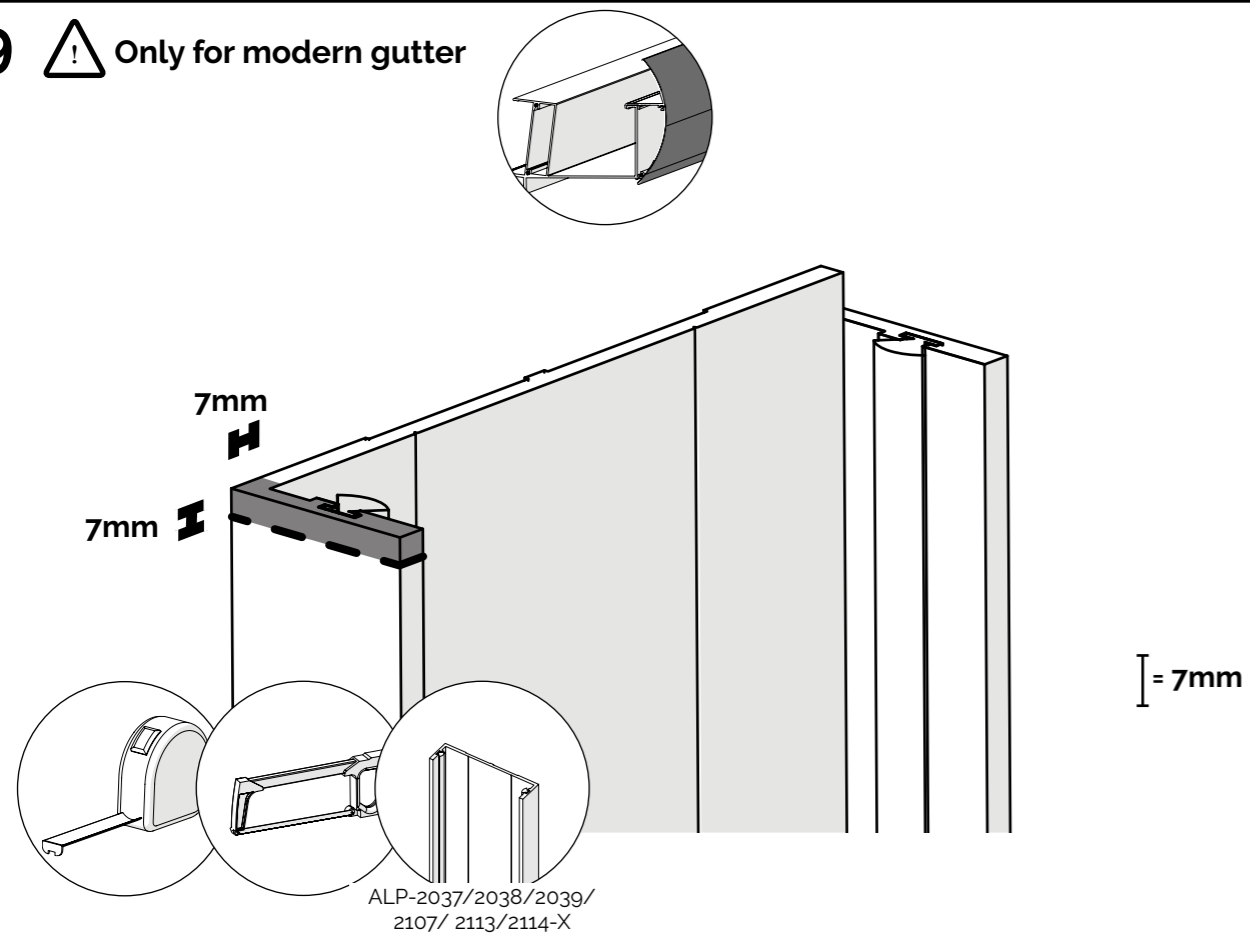
48 ⚠ Steps 48-50 in case of U-profile 6 rail in front of veranda



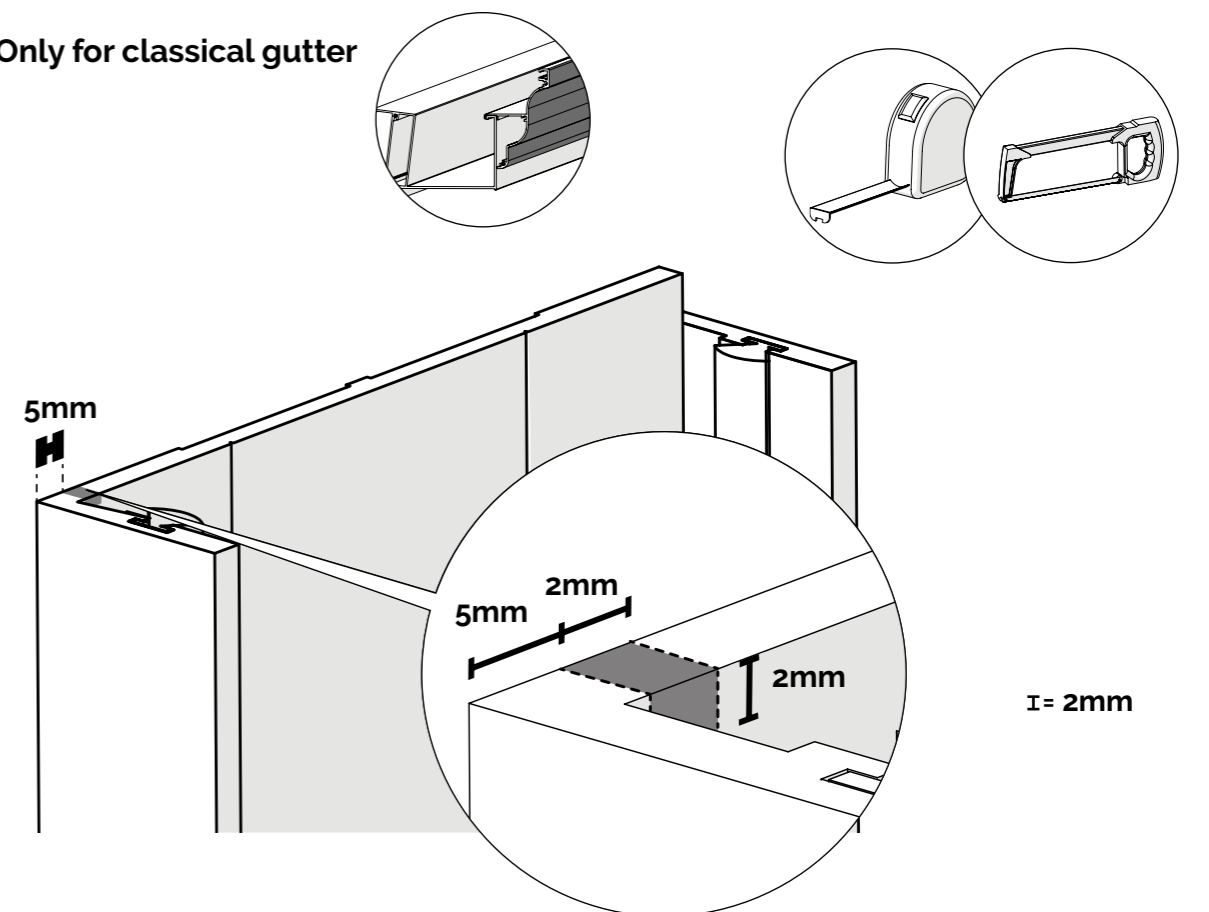
50 ⚠ Only for modern gutter



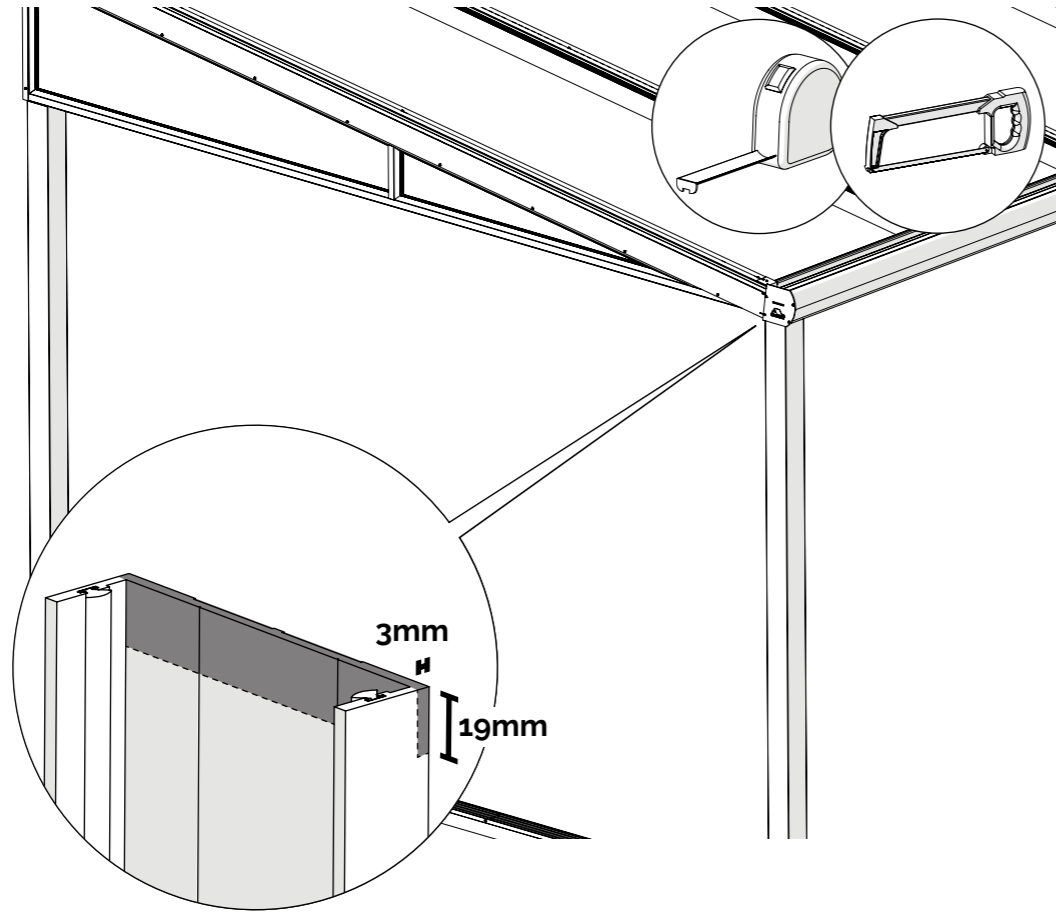
49 ⚠ Only for modern gutter



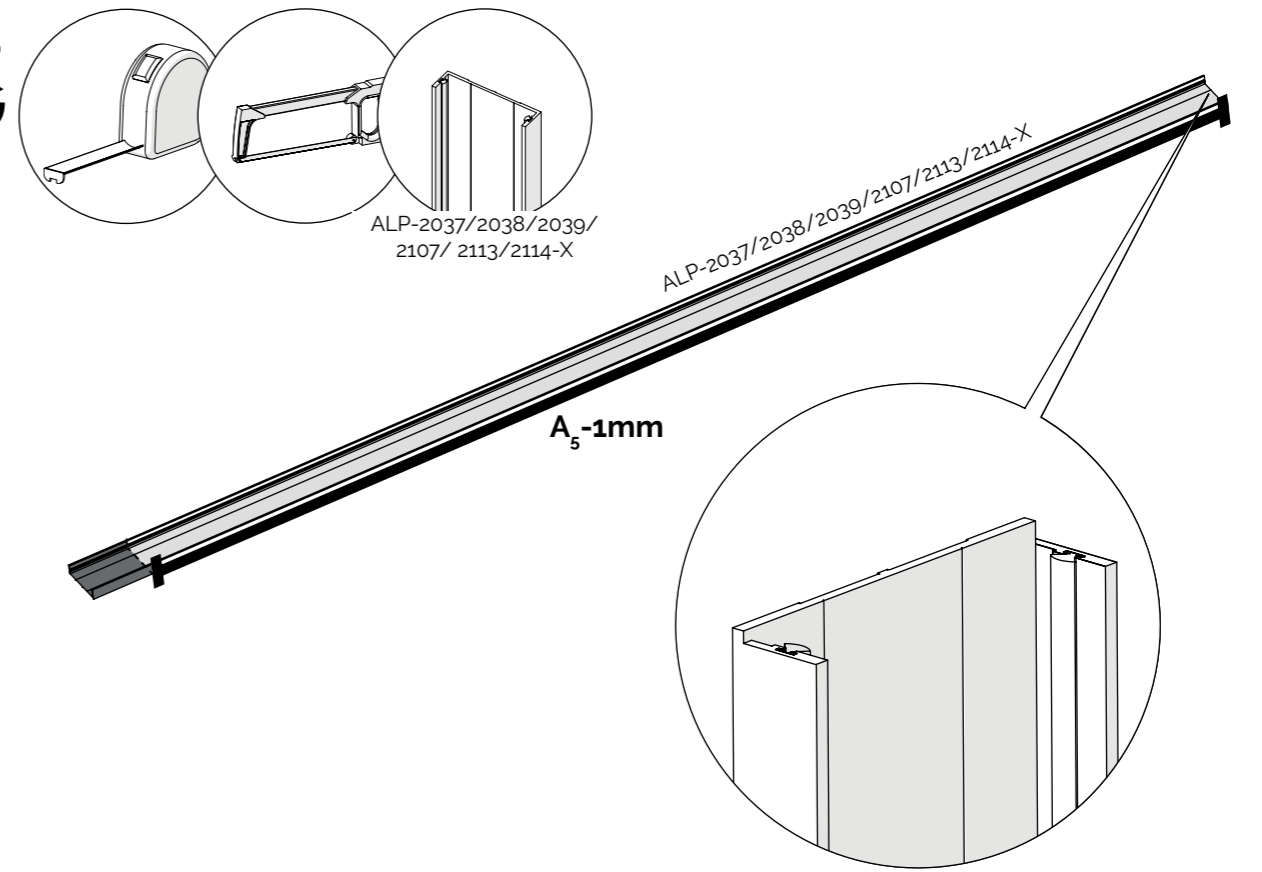
⚠ Only for classical gutter



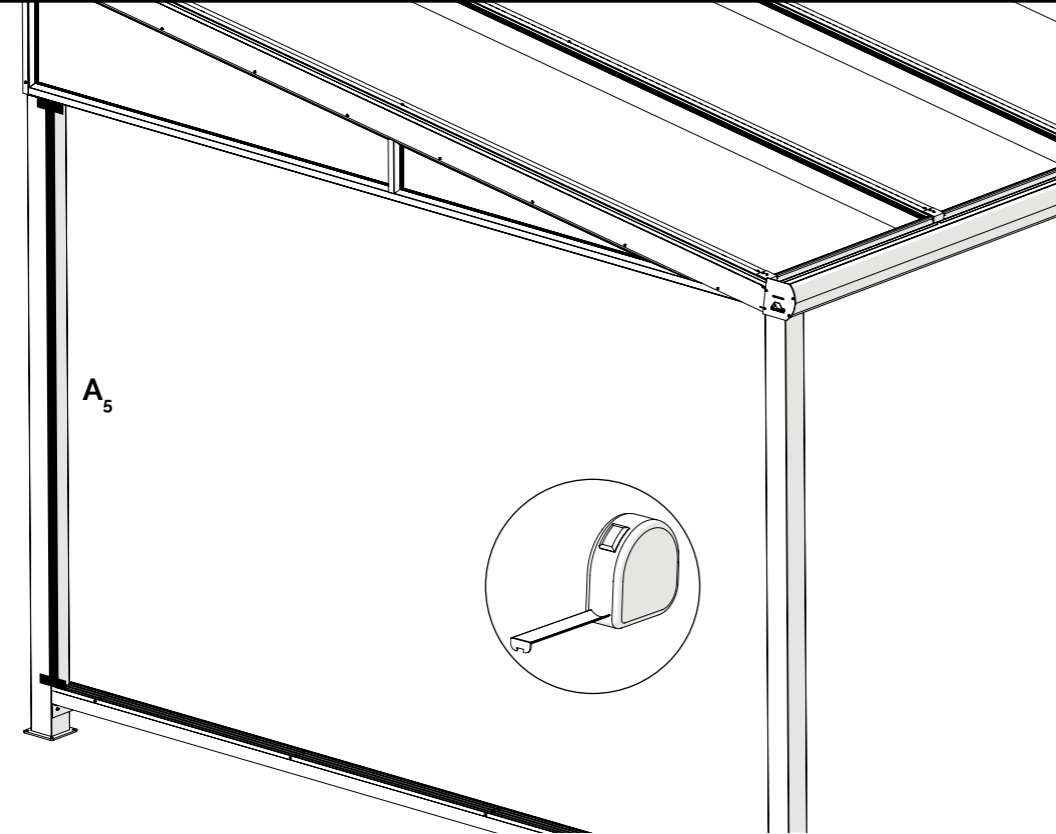
51
↻



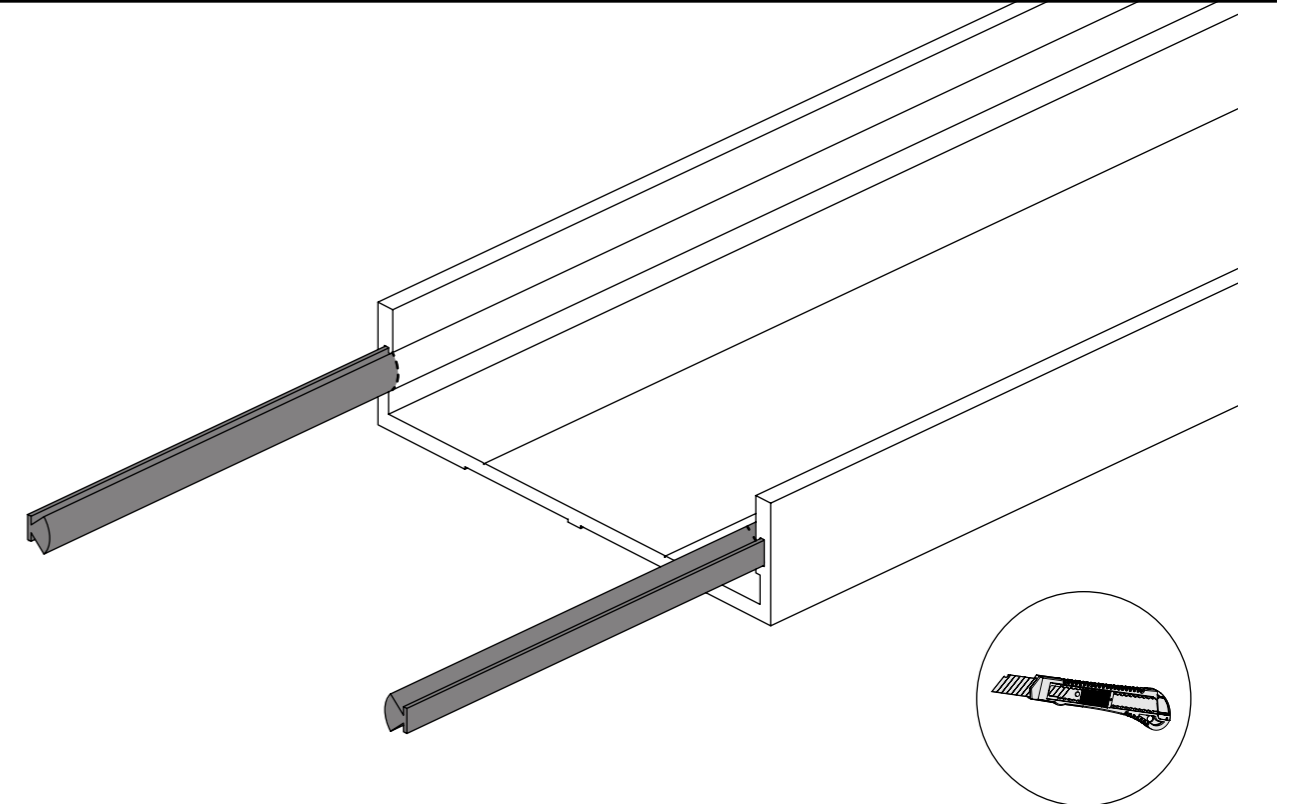
53
↻



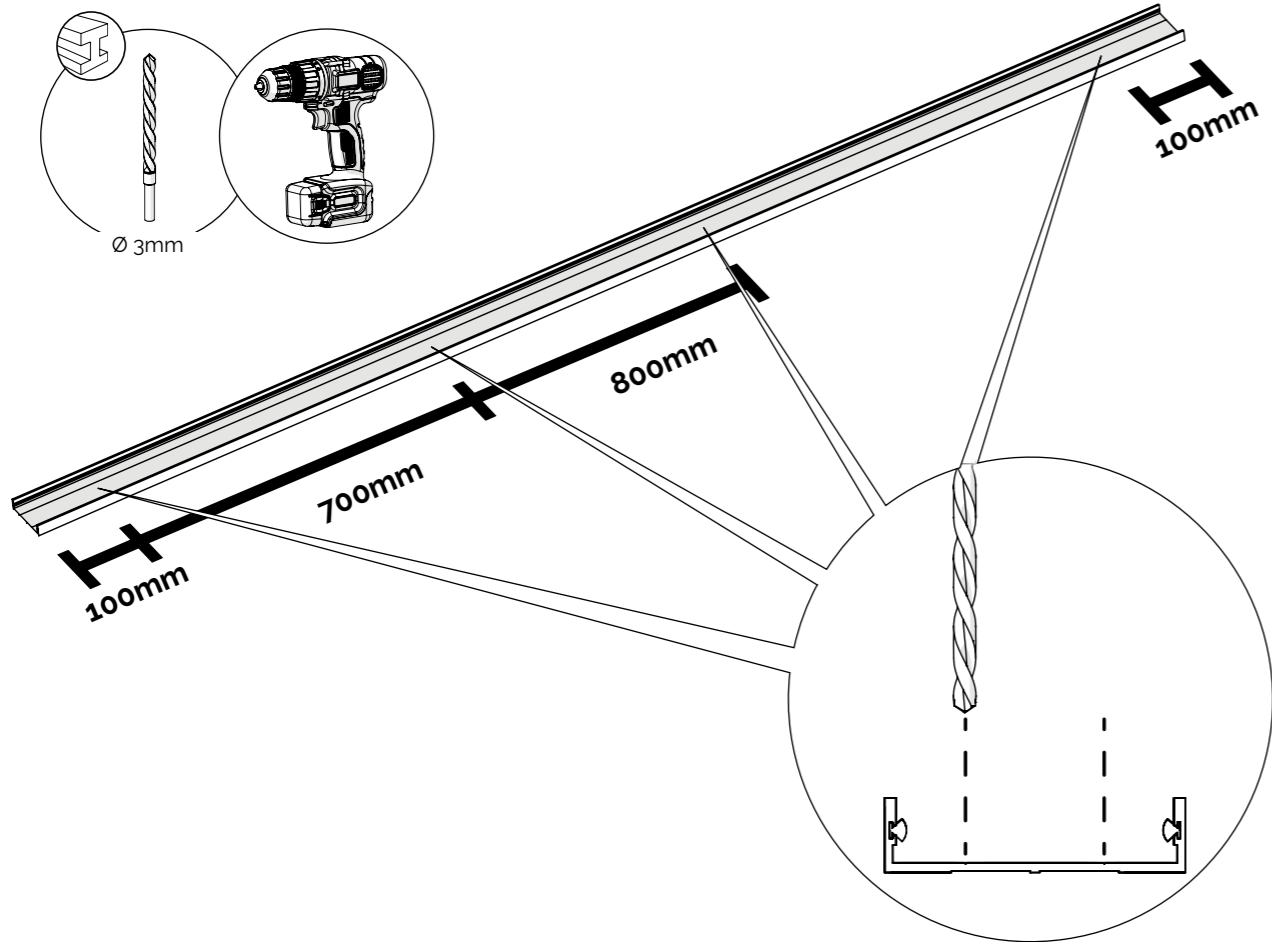
52
↻



54
↻

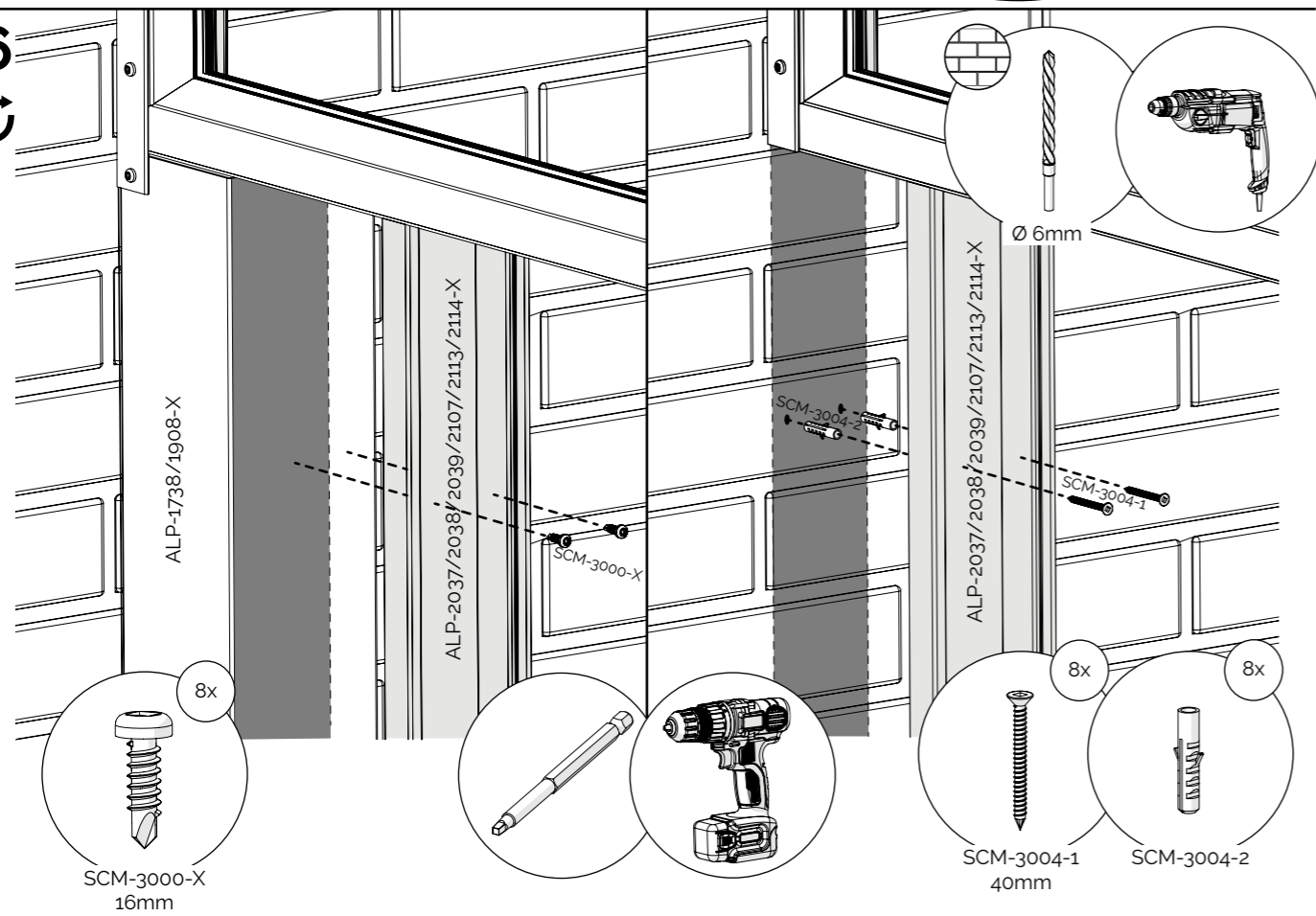


55

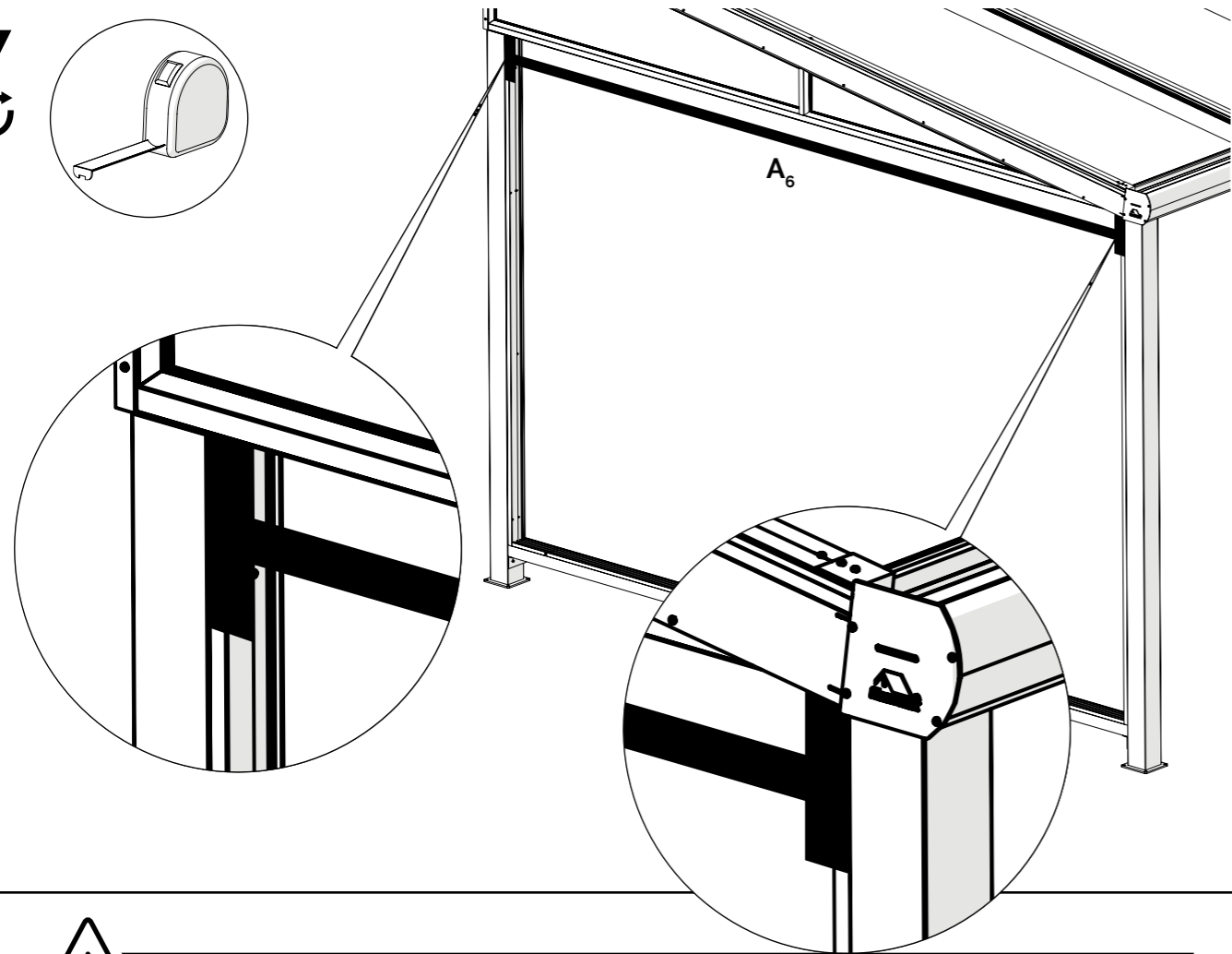
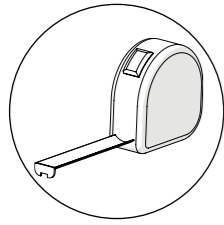


TOP RAIL

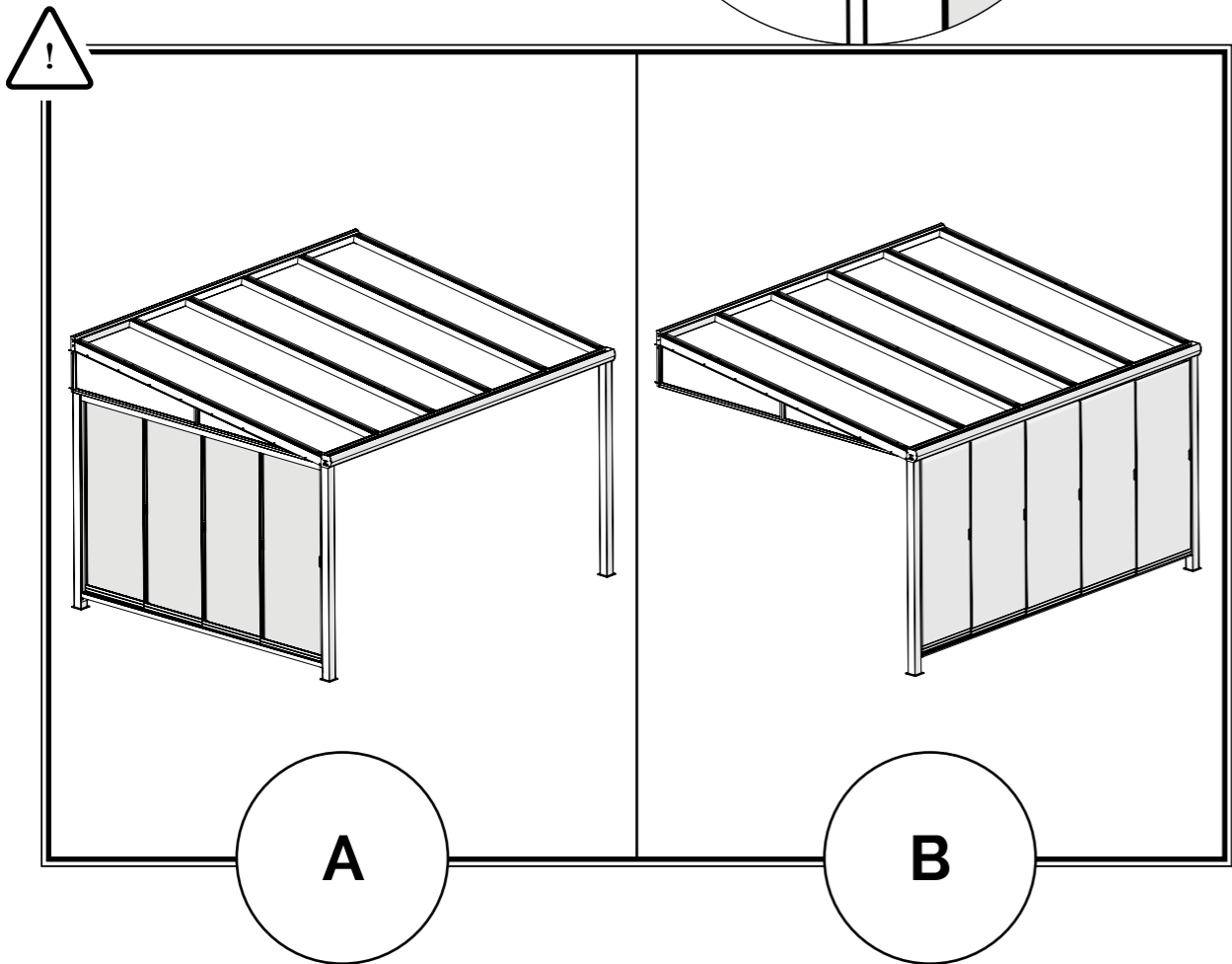
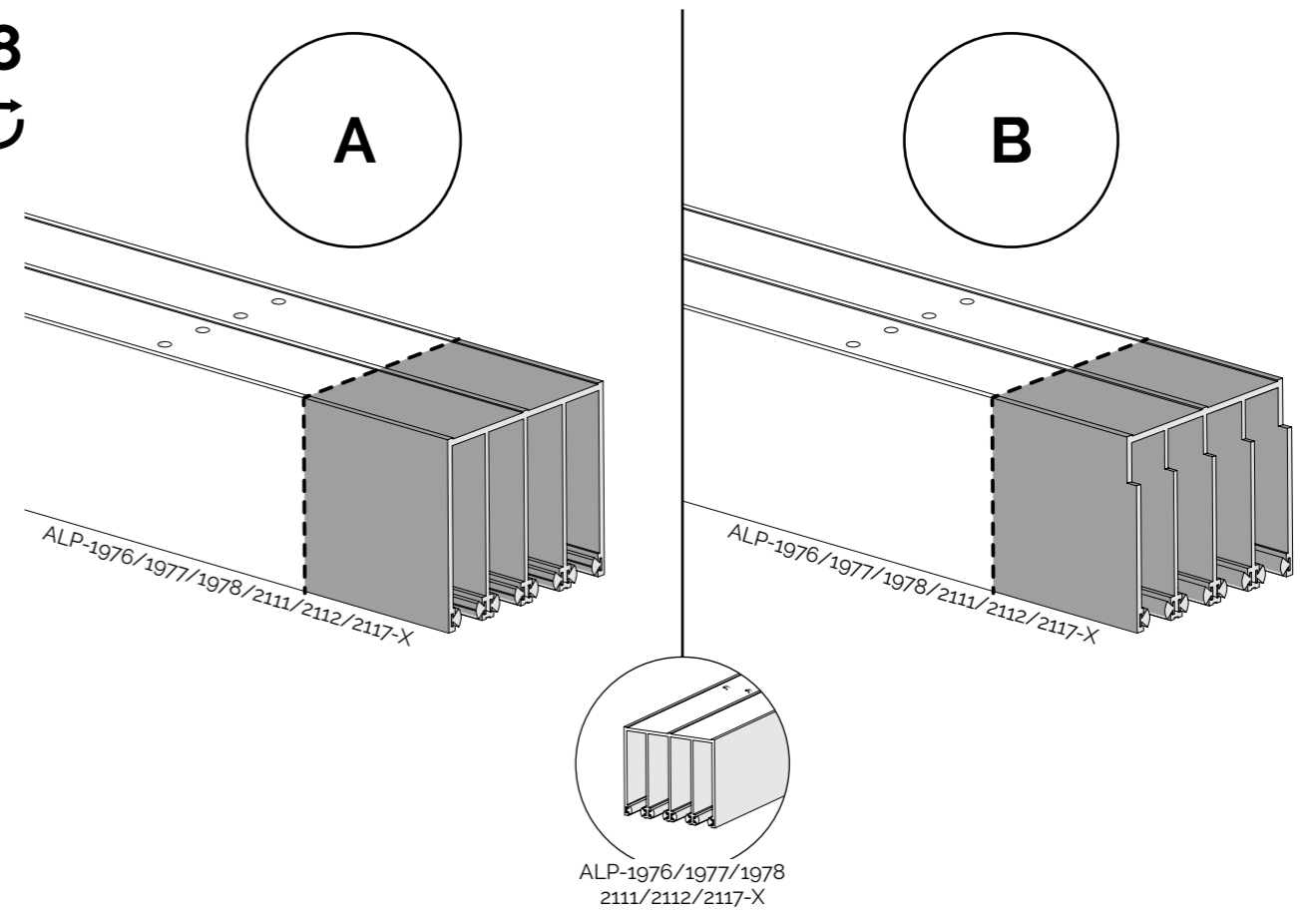
56



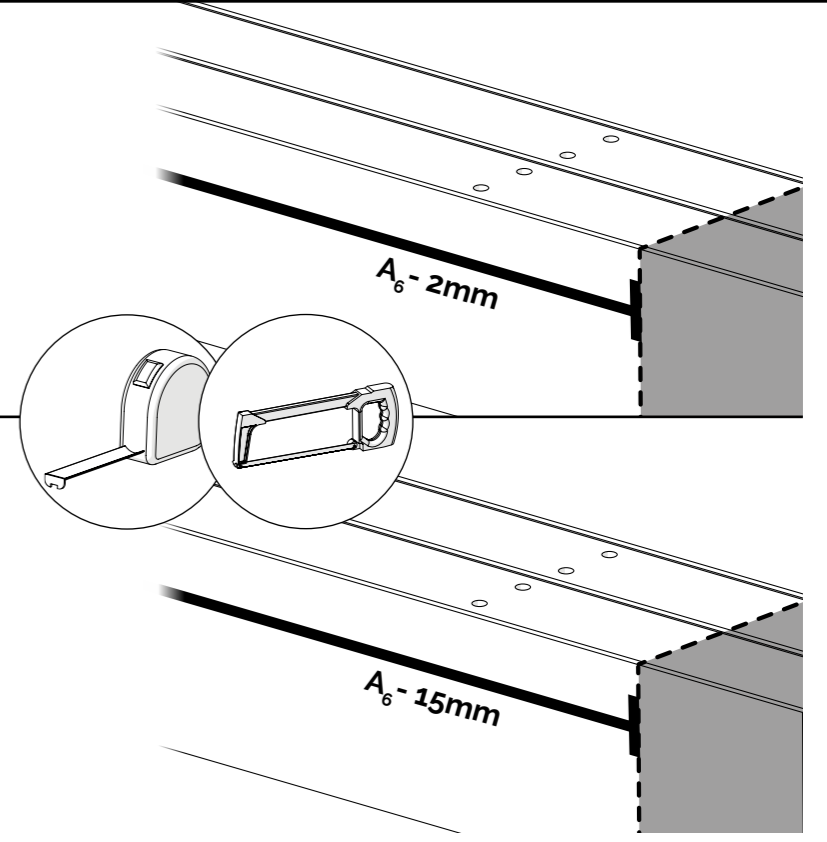
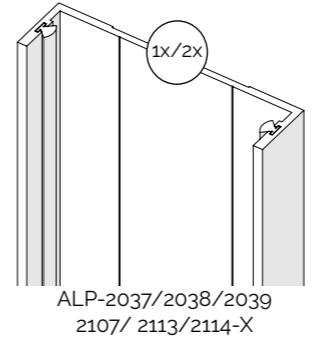
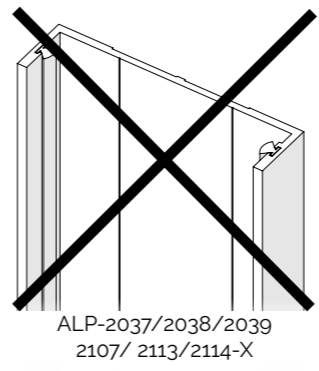
57



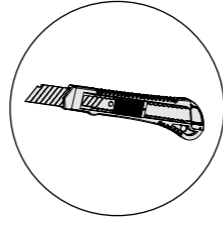
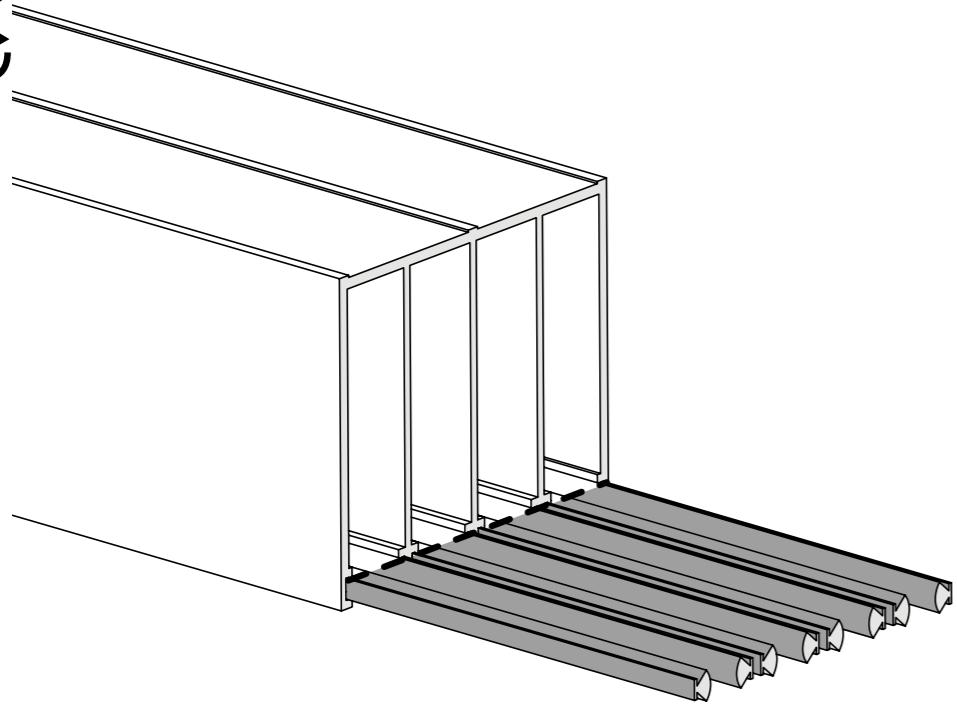
58



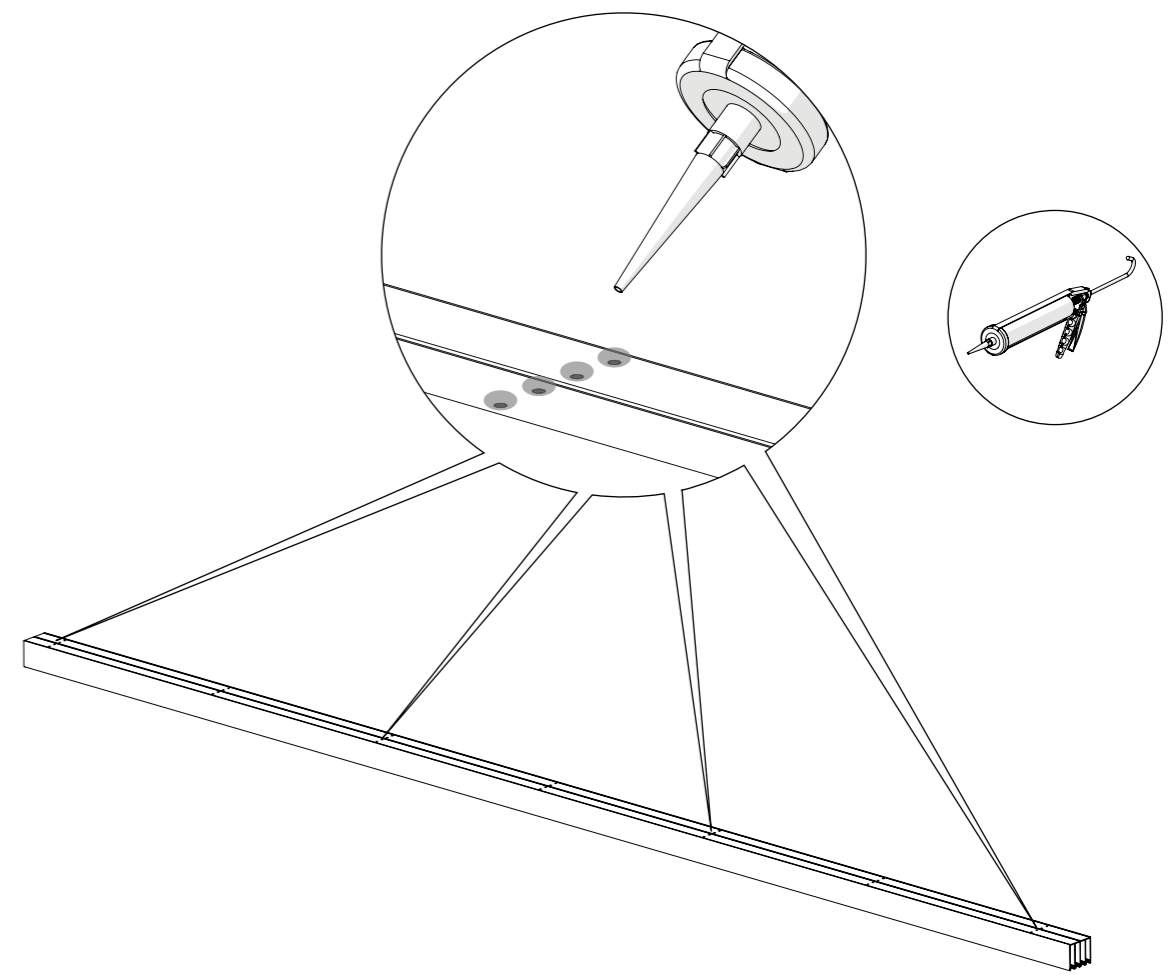
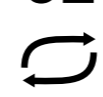
59



60



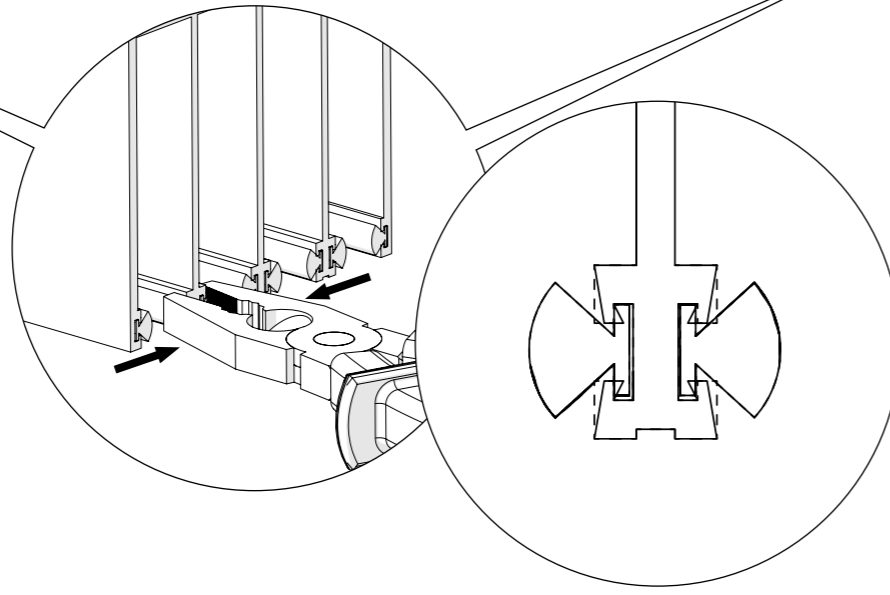
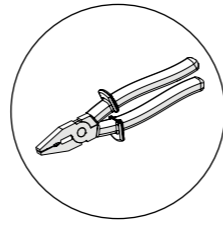
62



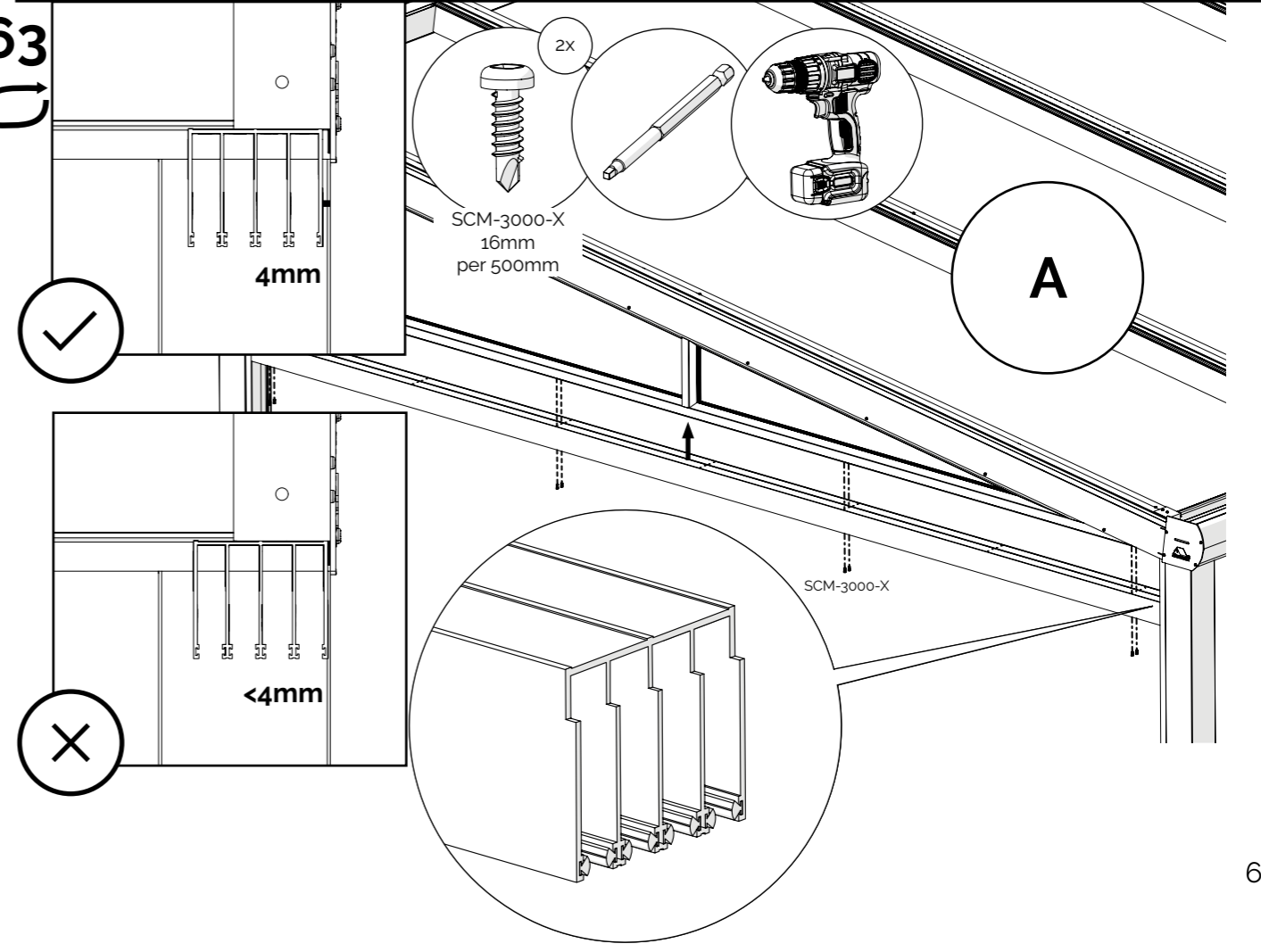
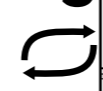
61

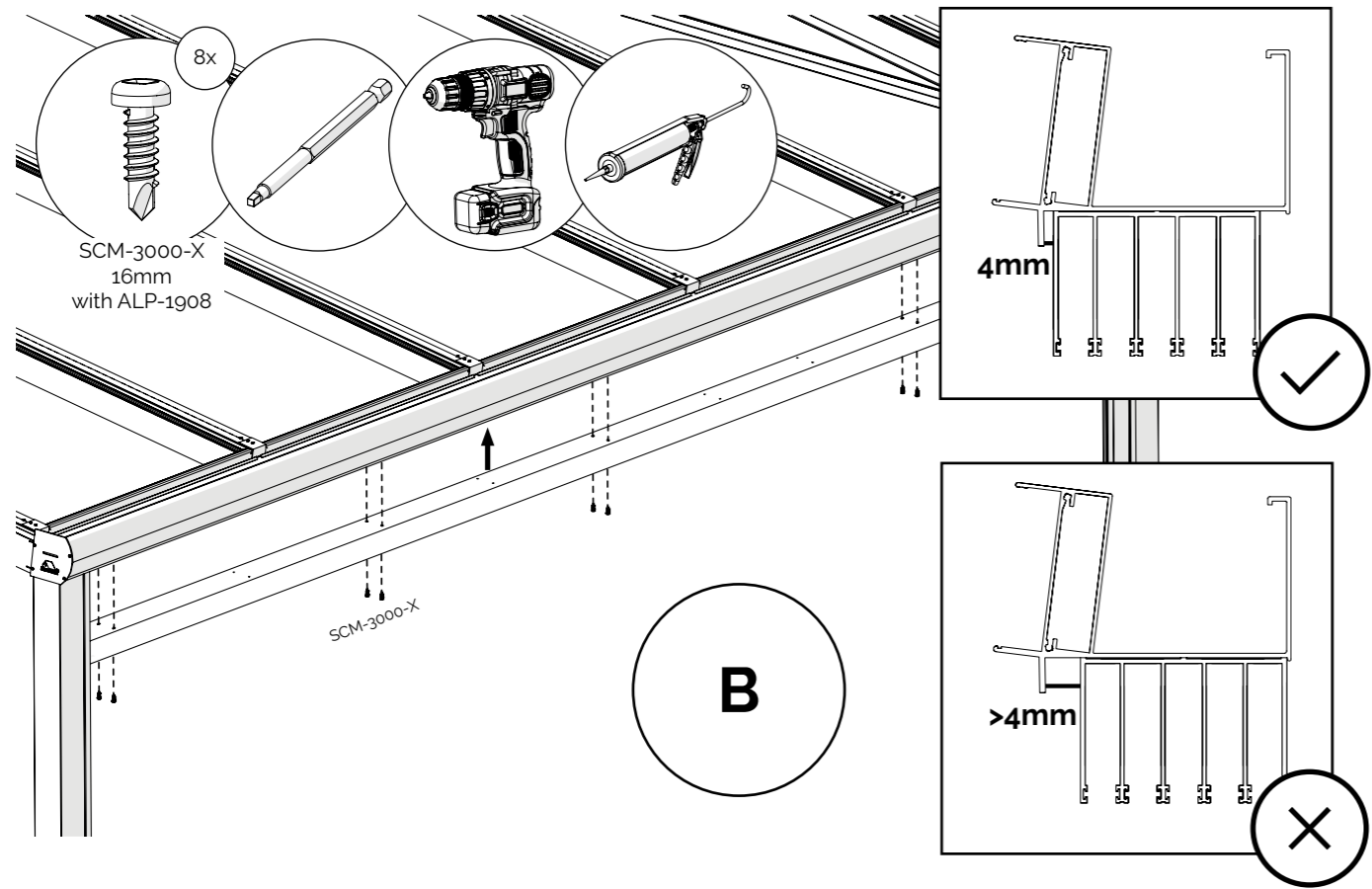


ALP-1976/1977/1978/2111/2112/2117-X



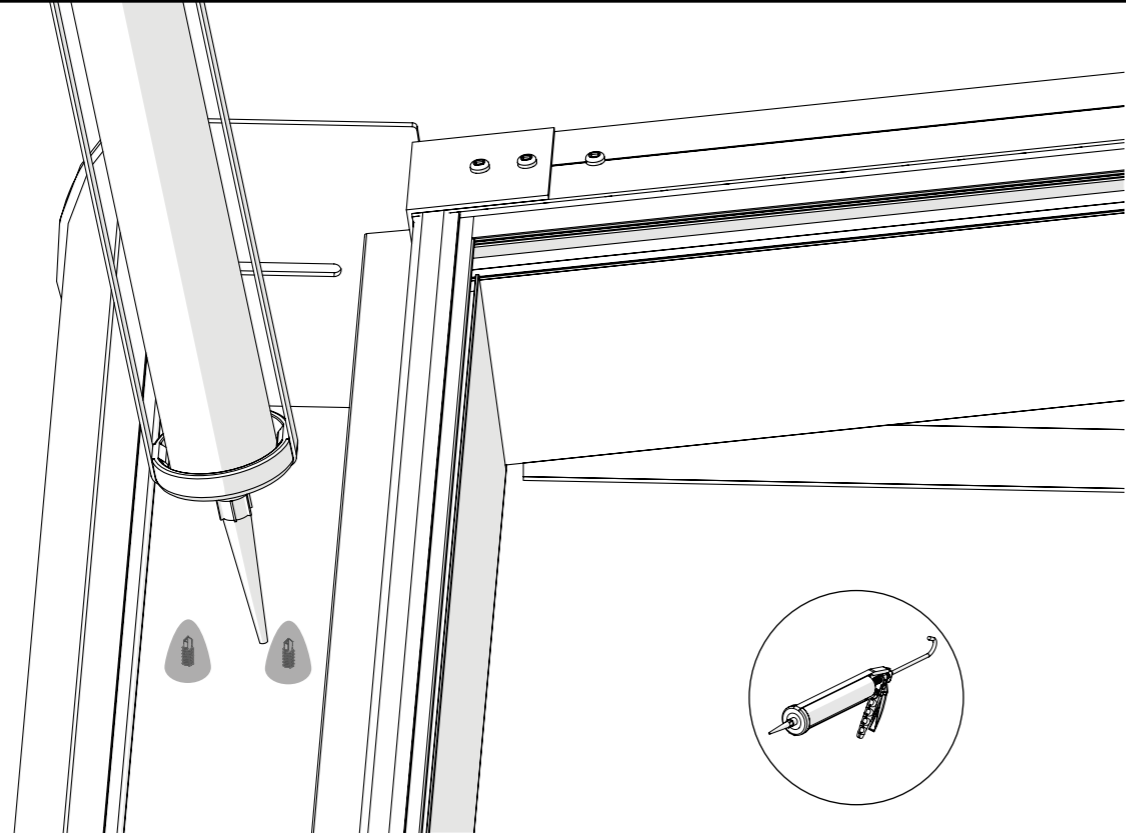
63



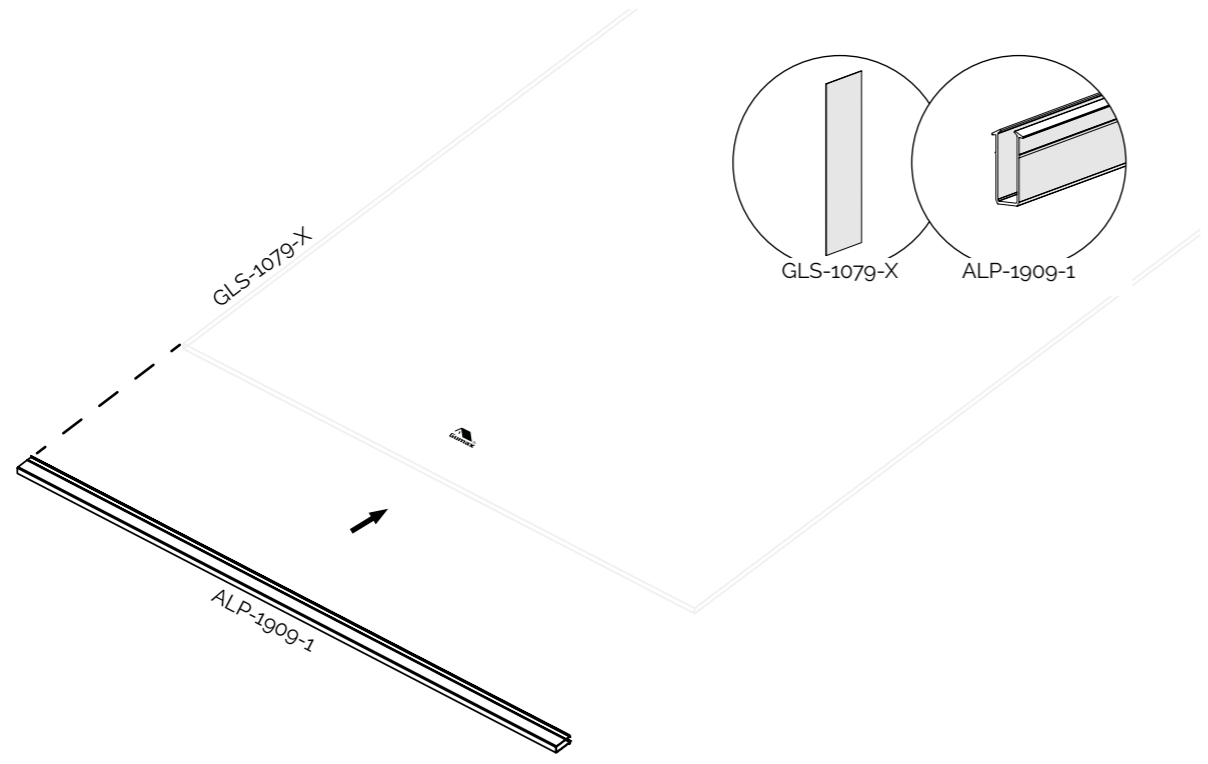


GLASS DOORS

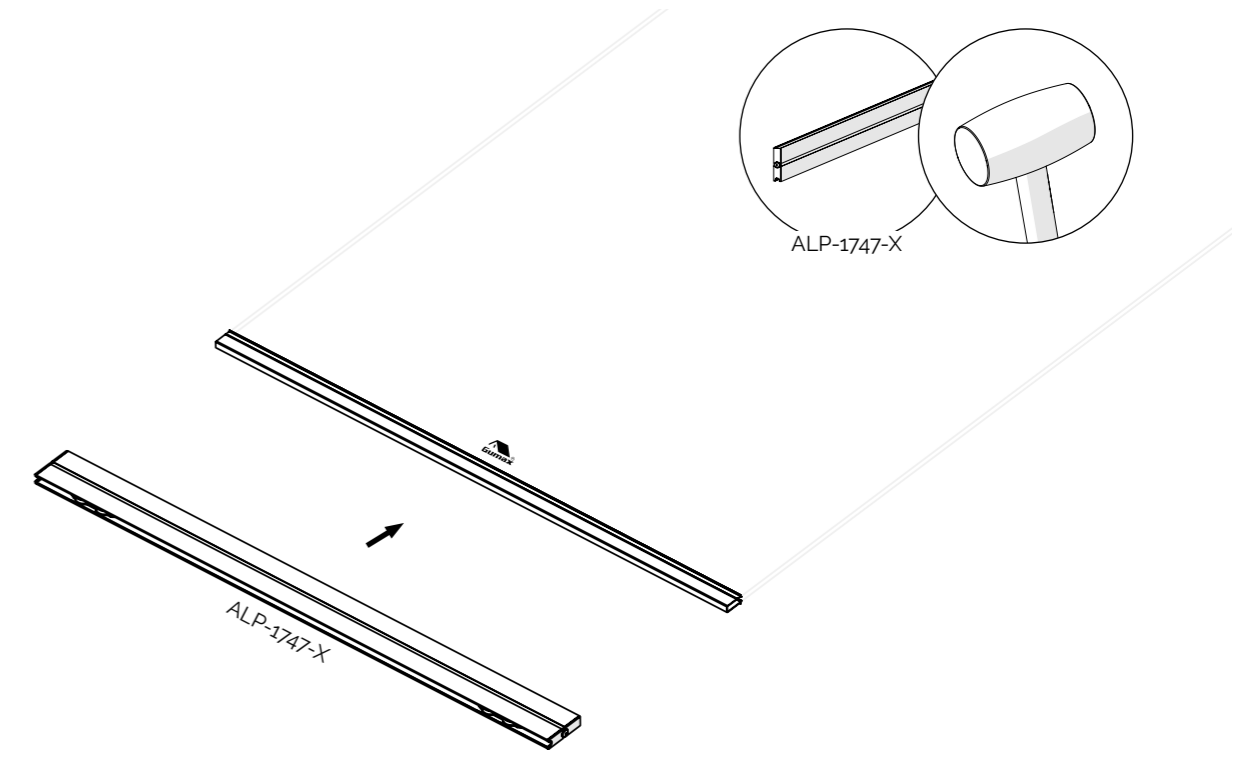
64
↻



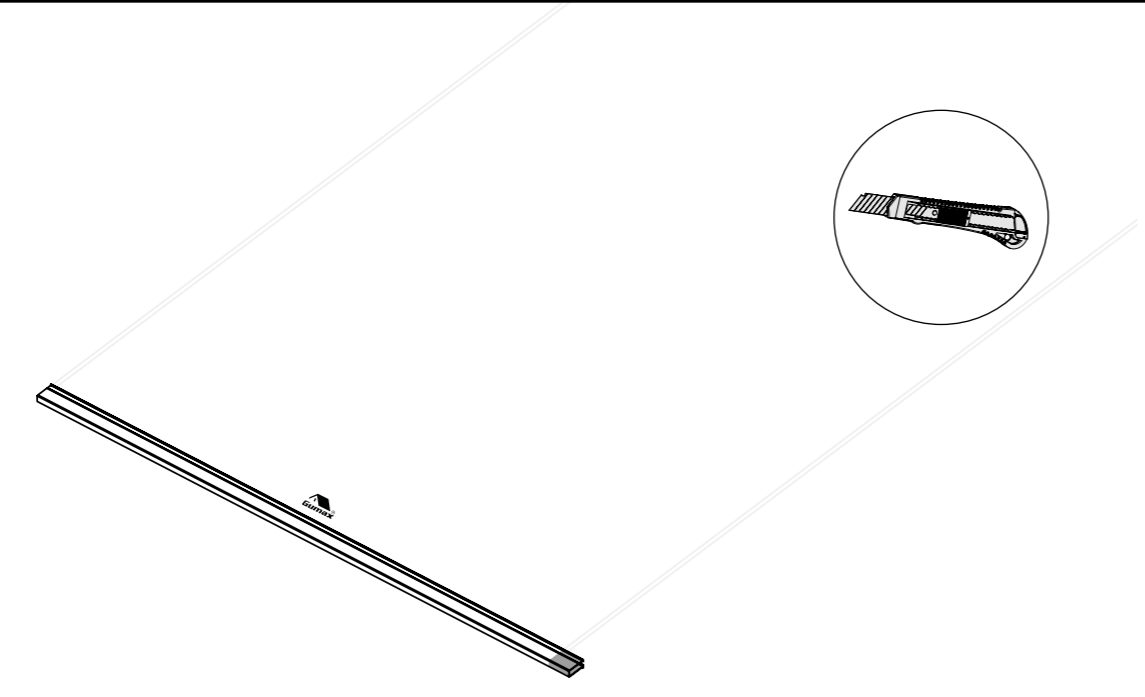
65
↻



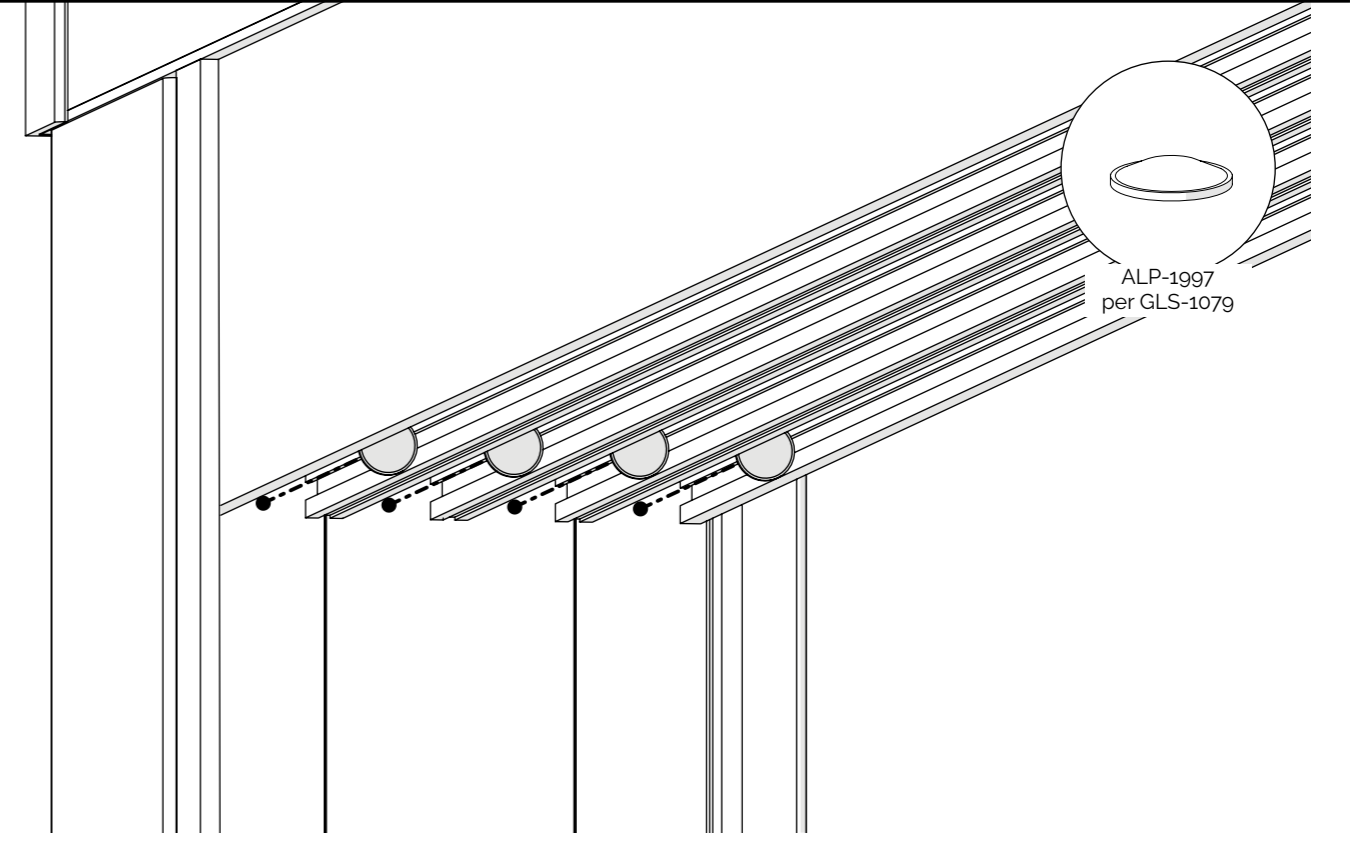
67
↻



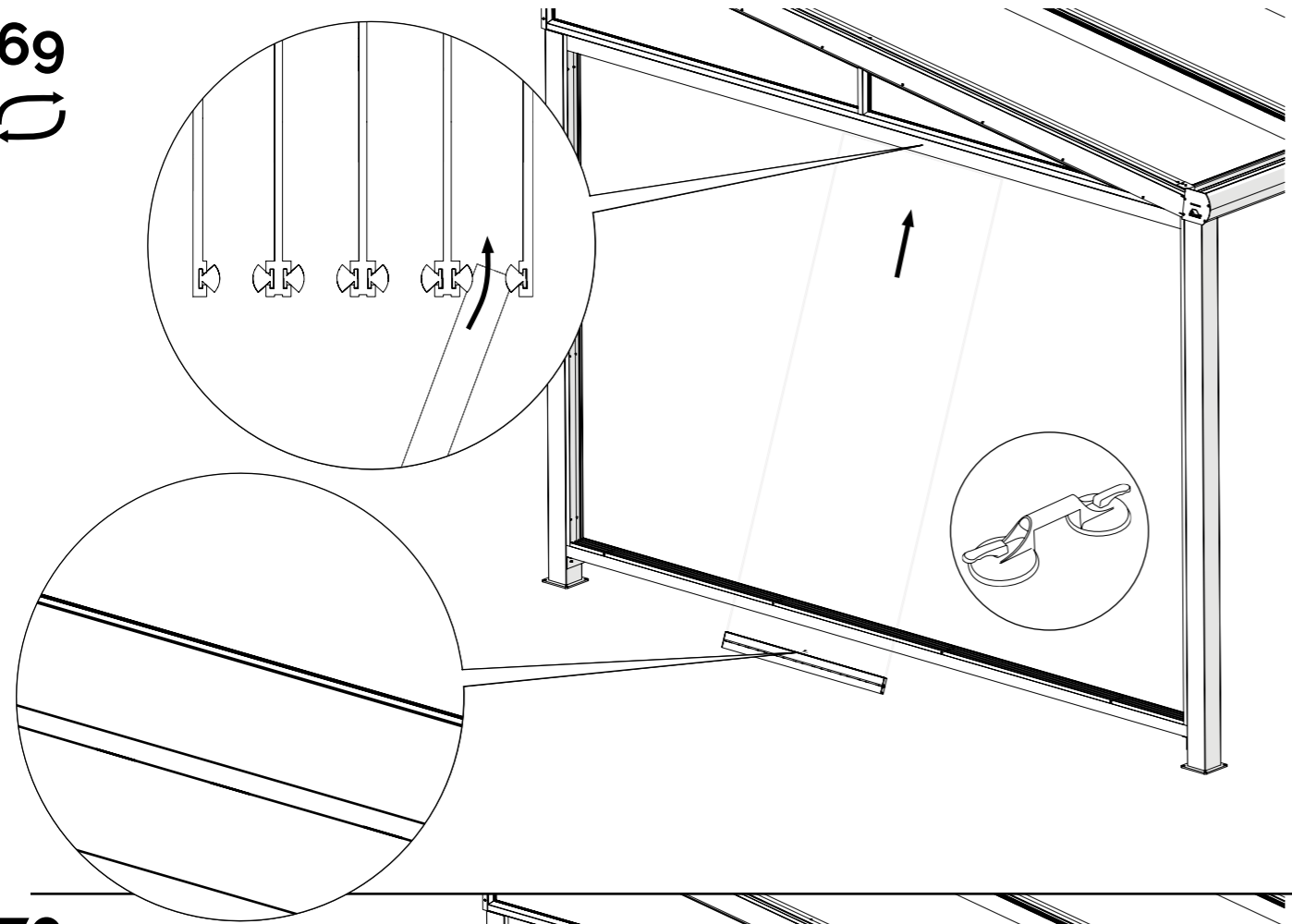
66
↻



68
↻

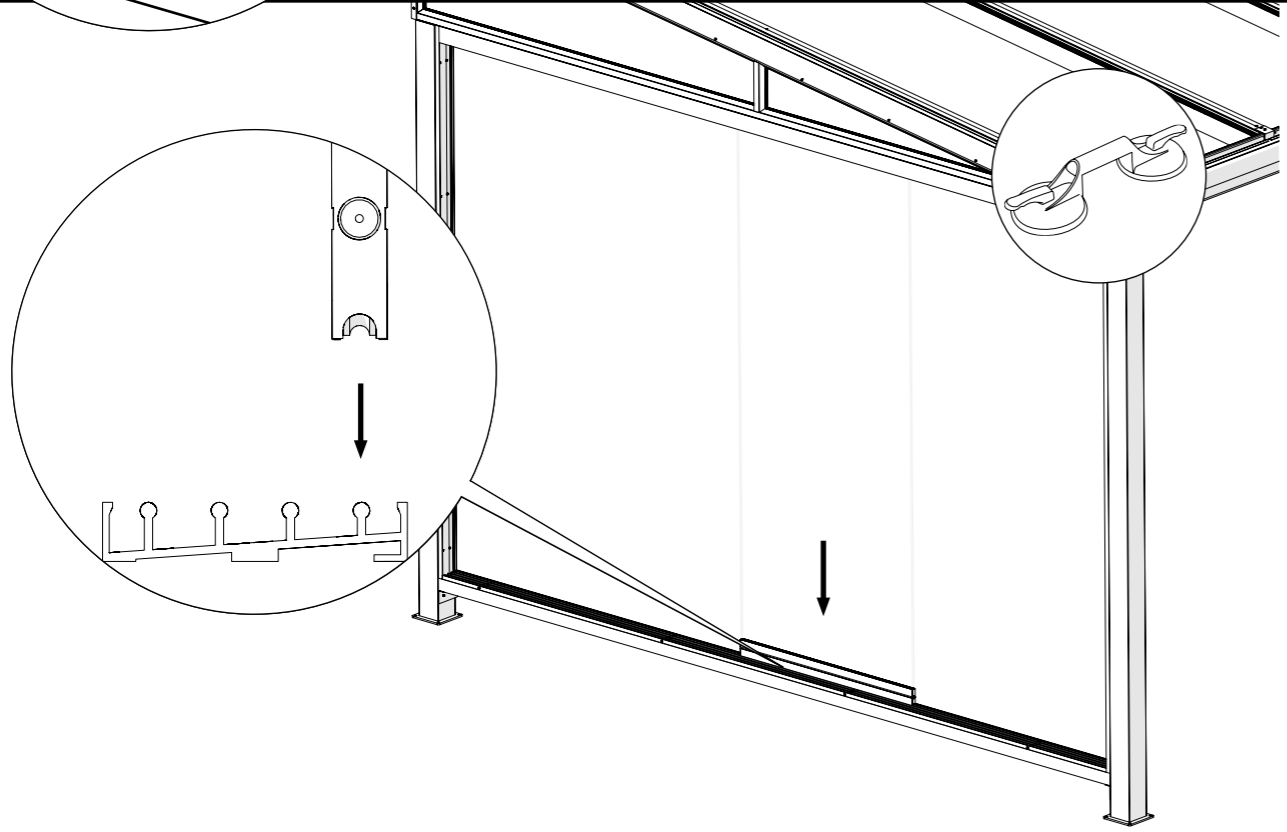


69

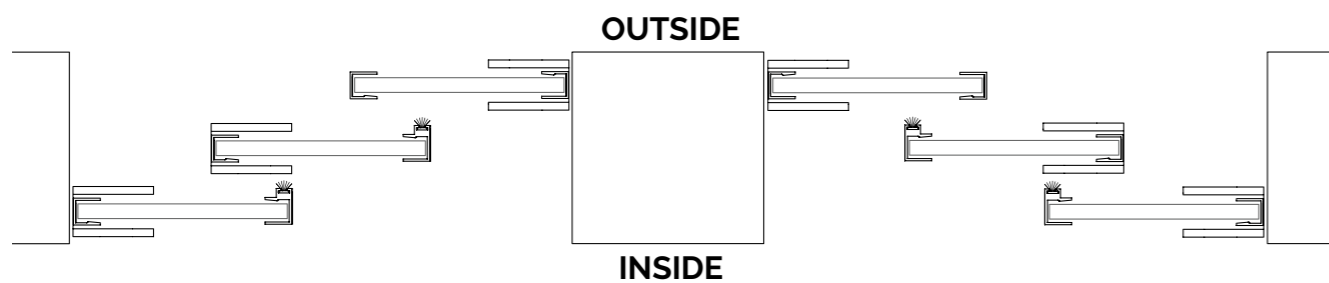
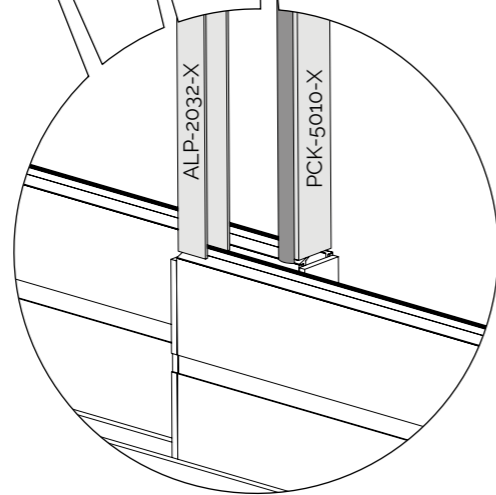
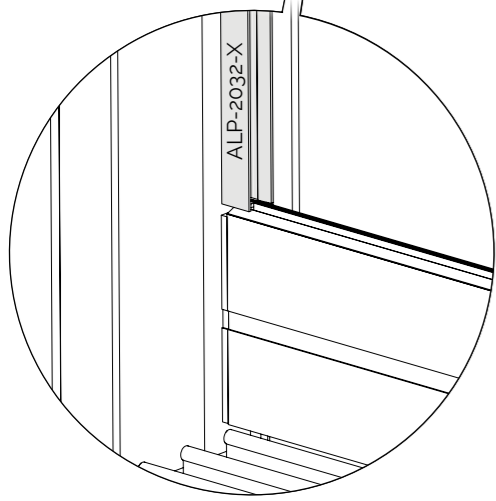
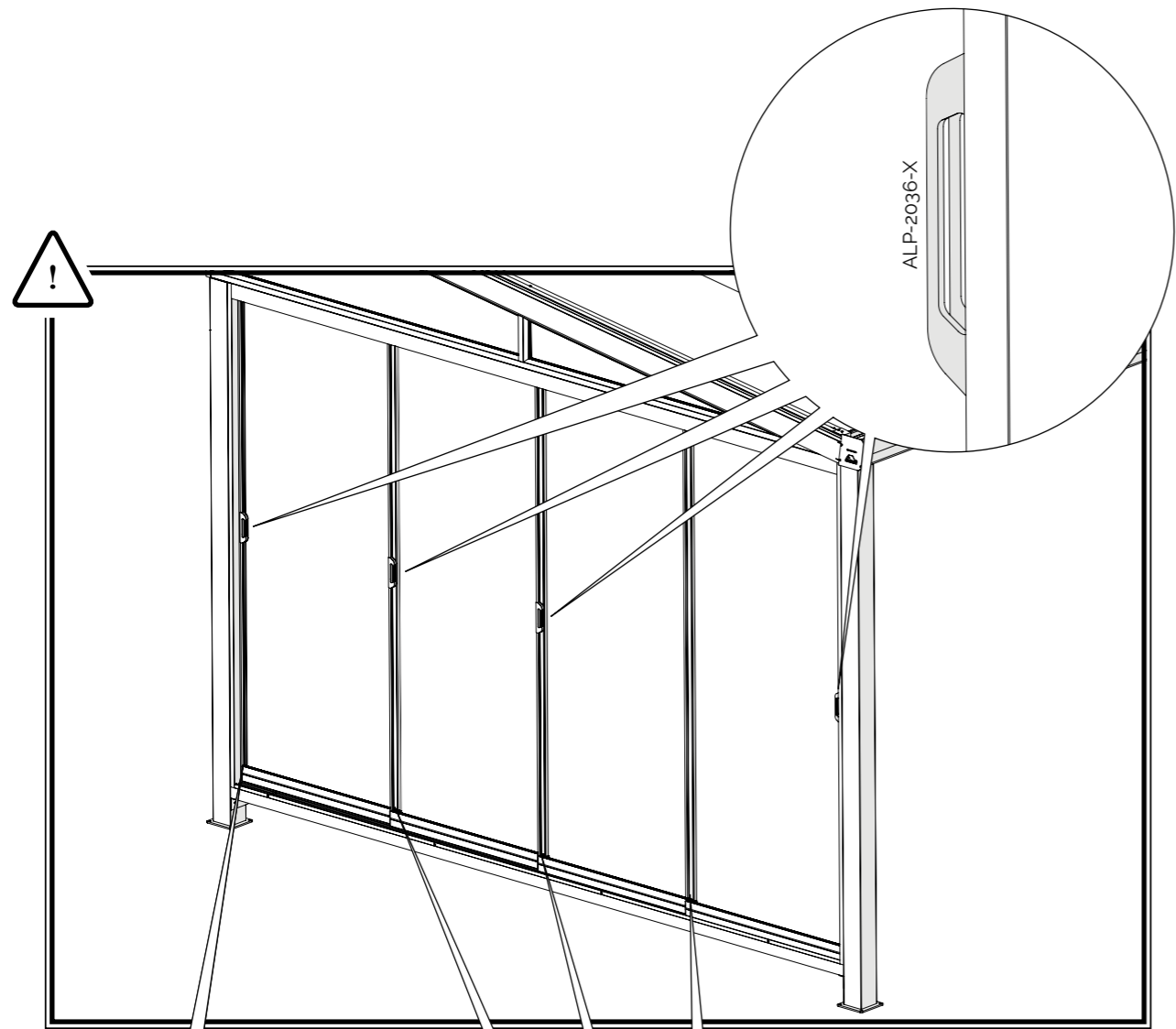


**DOOR HANDLES
&
DRAFT STRIPS
&
DECORATIVE STRIPS**

70

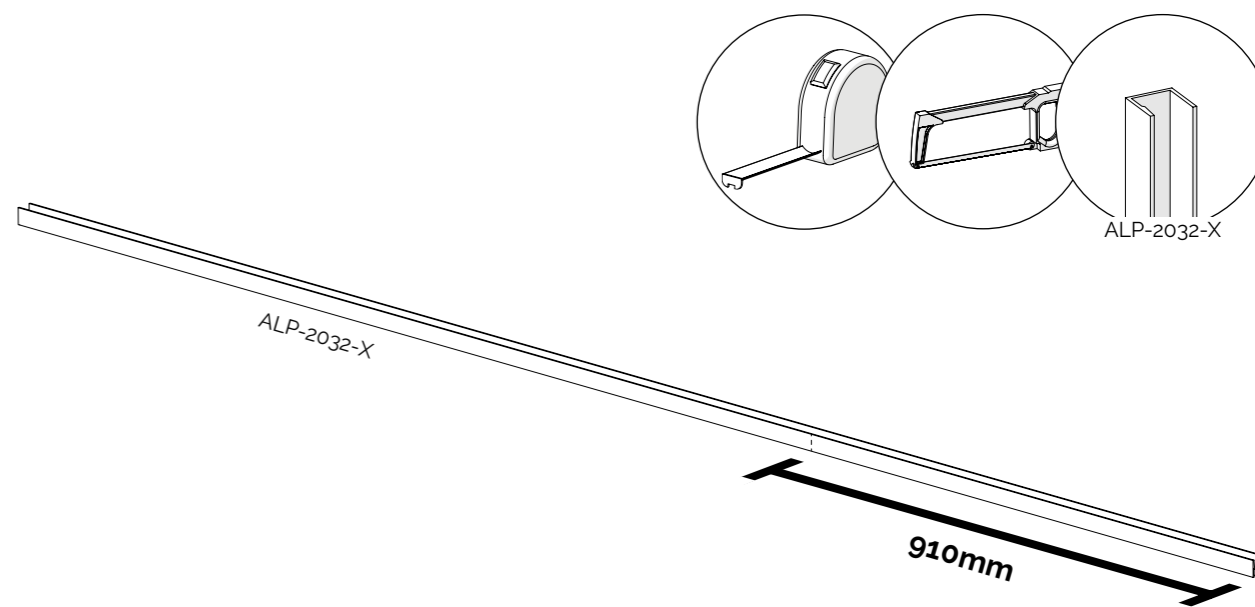


71

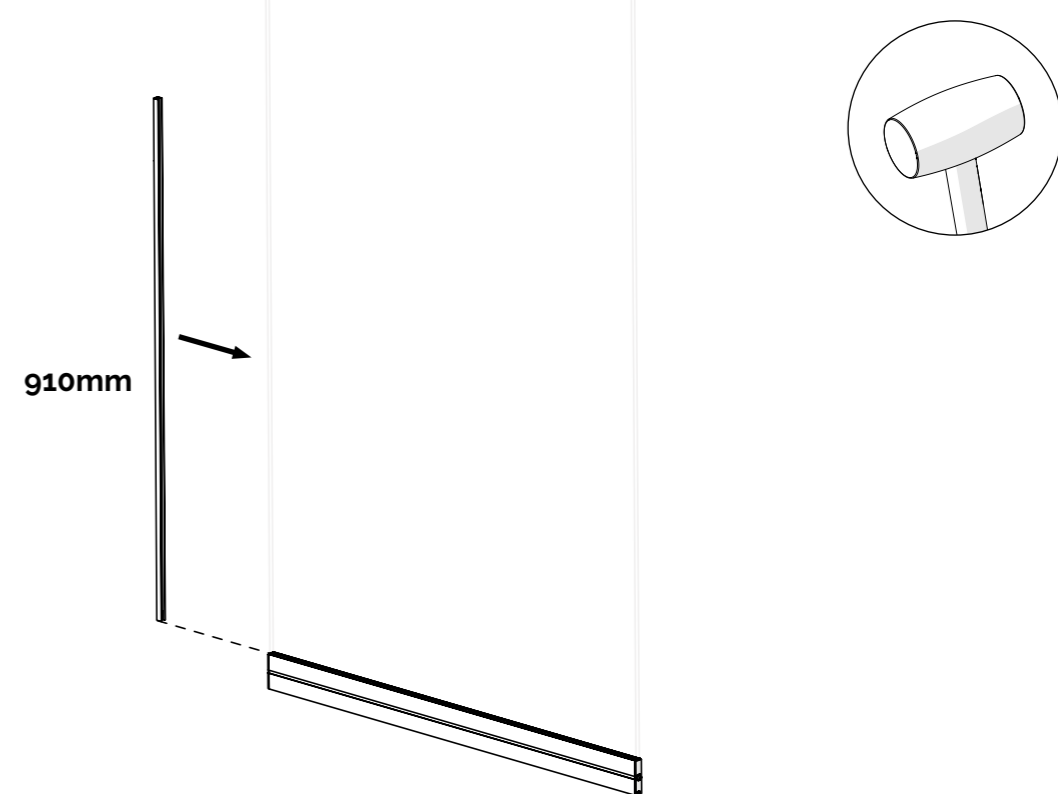


67

72

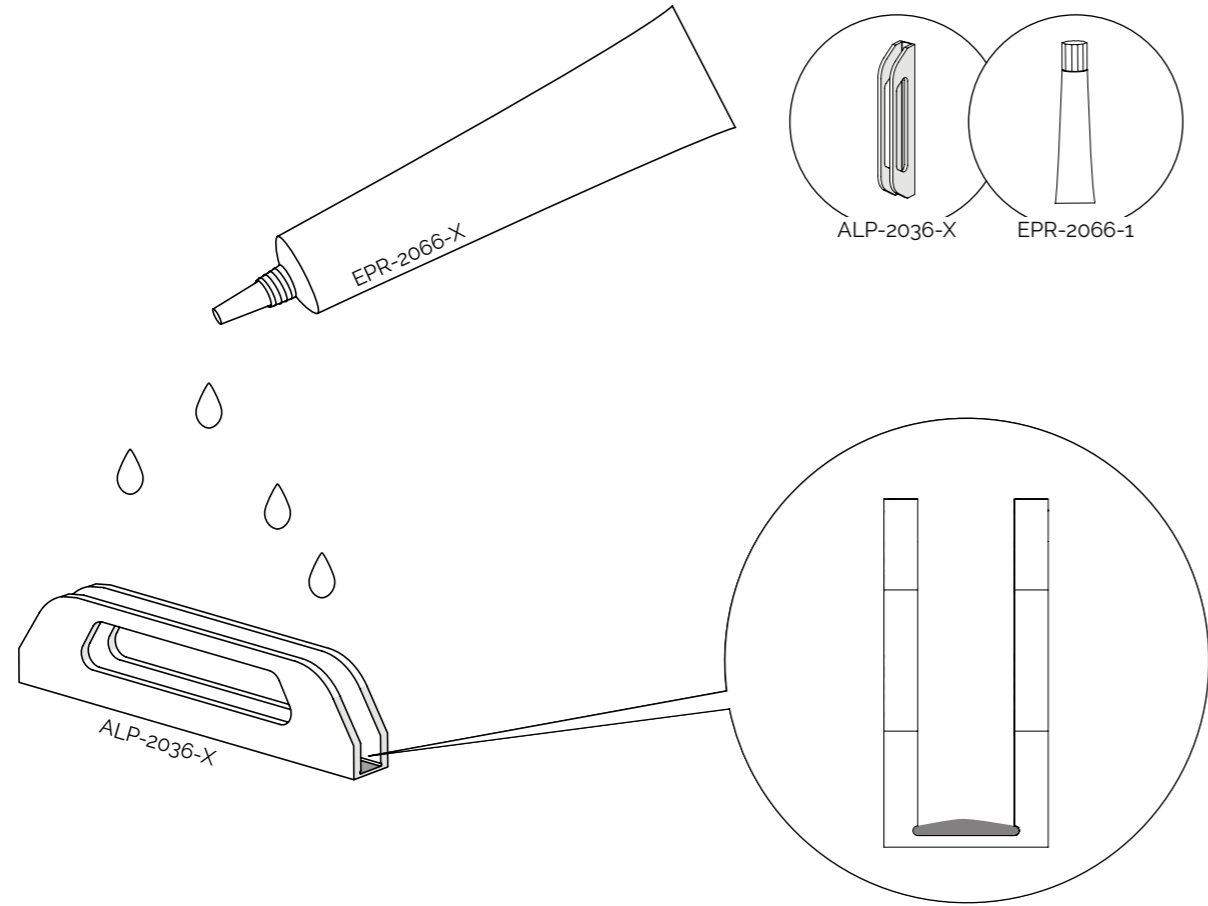


73

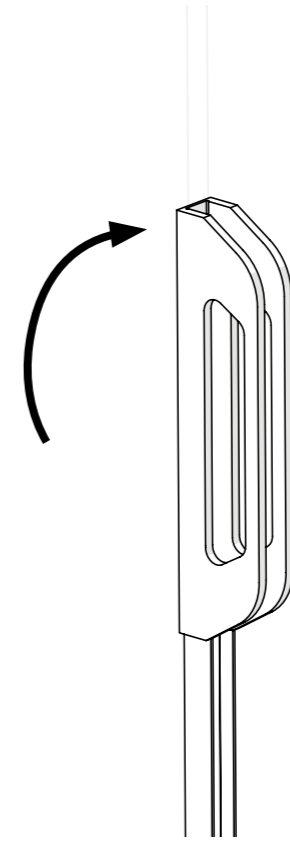


68

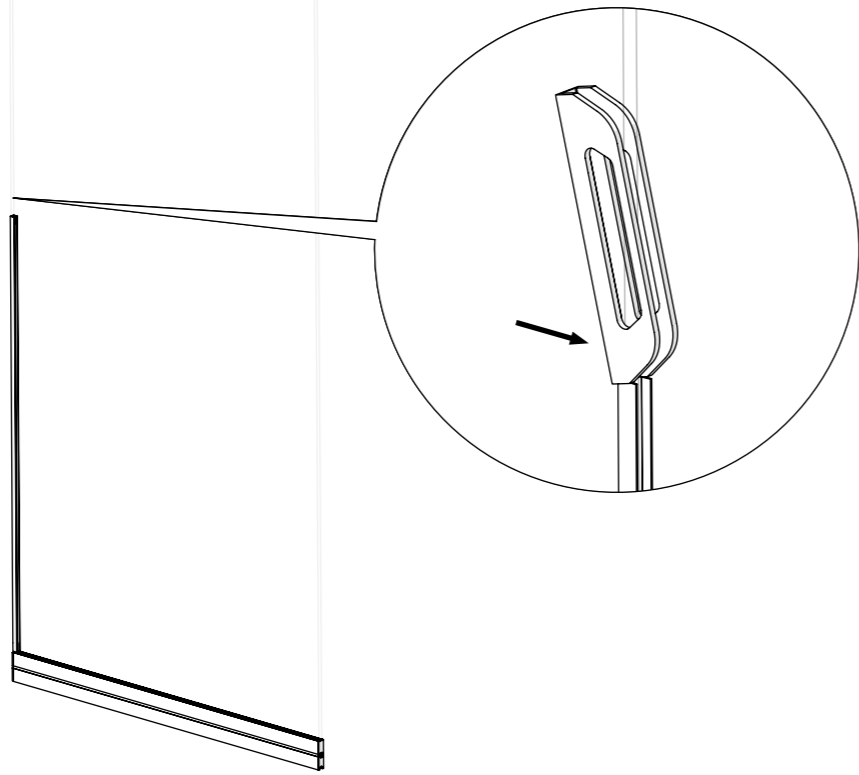
74
↻



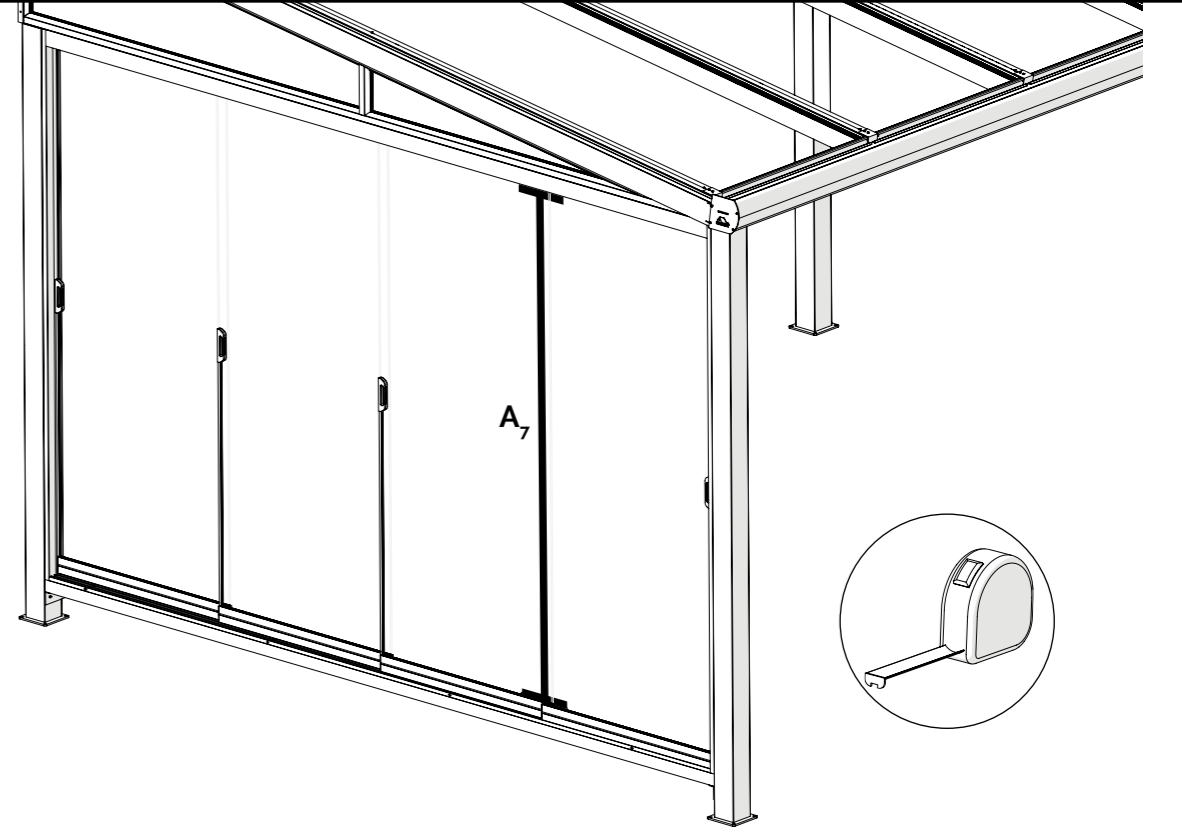
76
↻



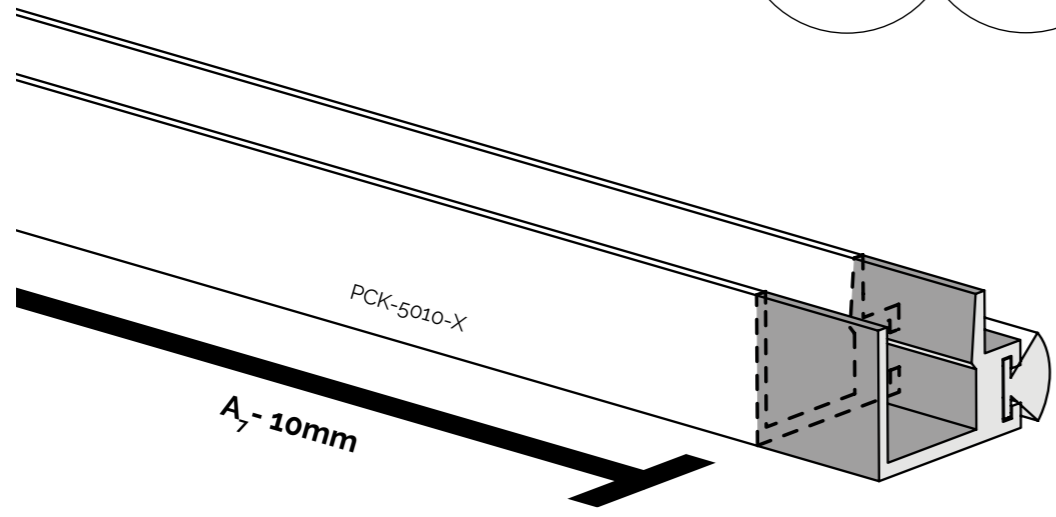
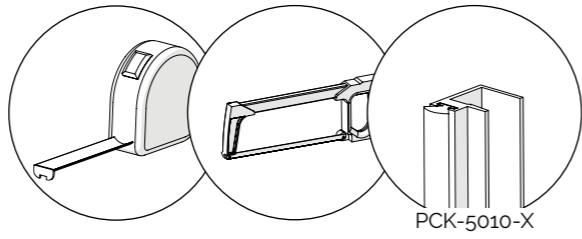
75
↻



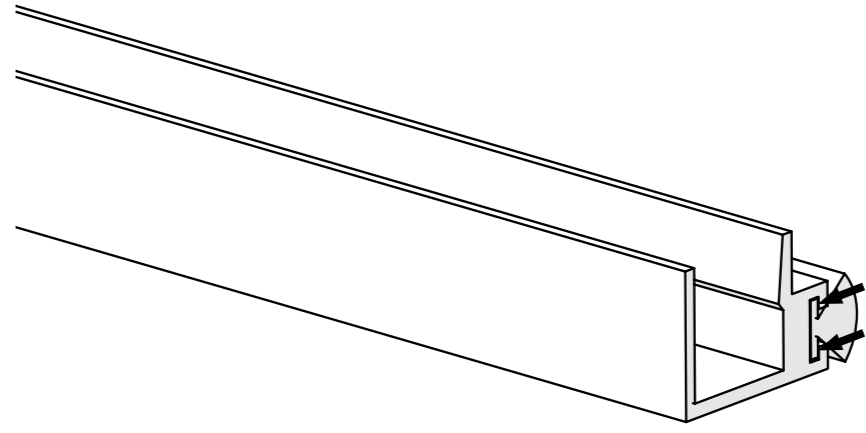
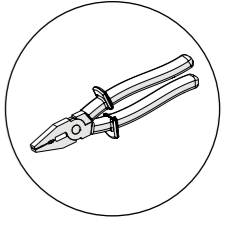
77
↻



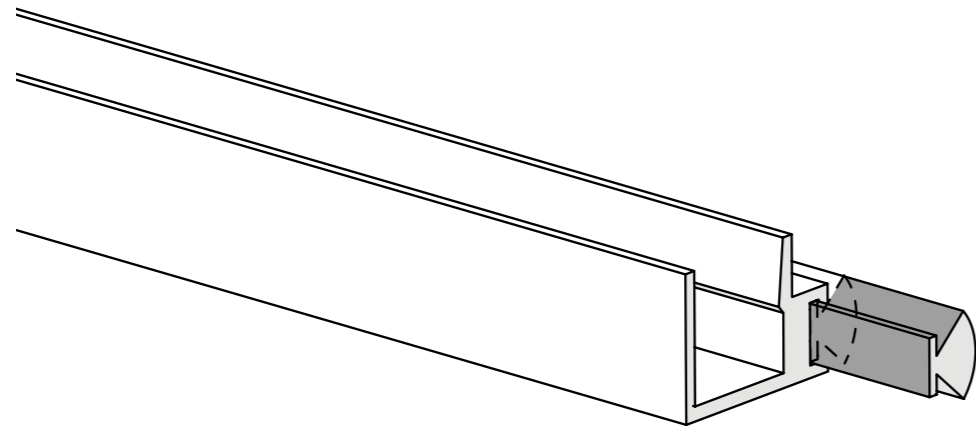
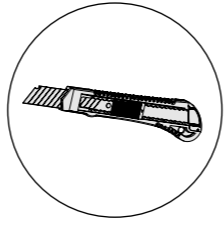
78
↻



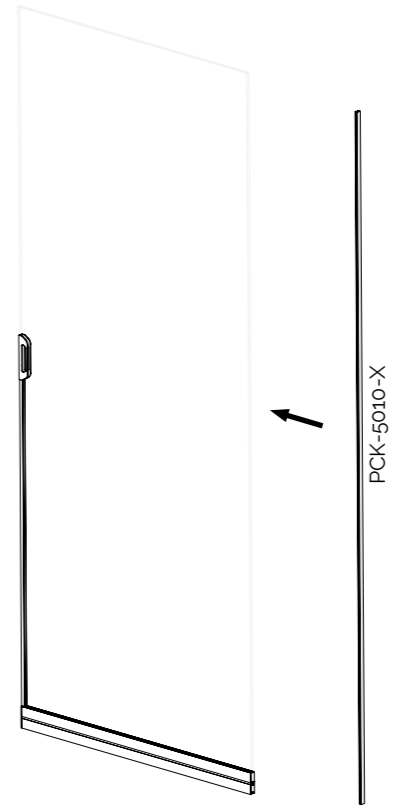
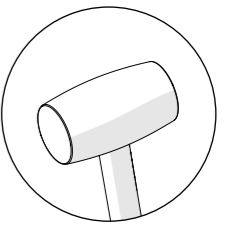
80
↻



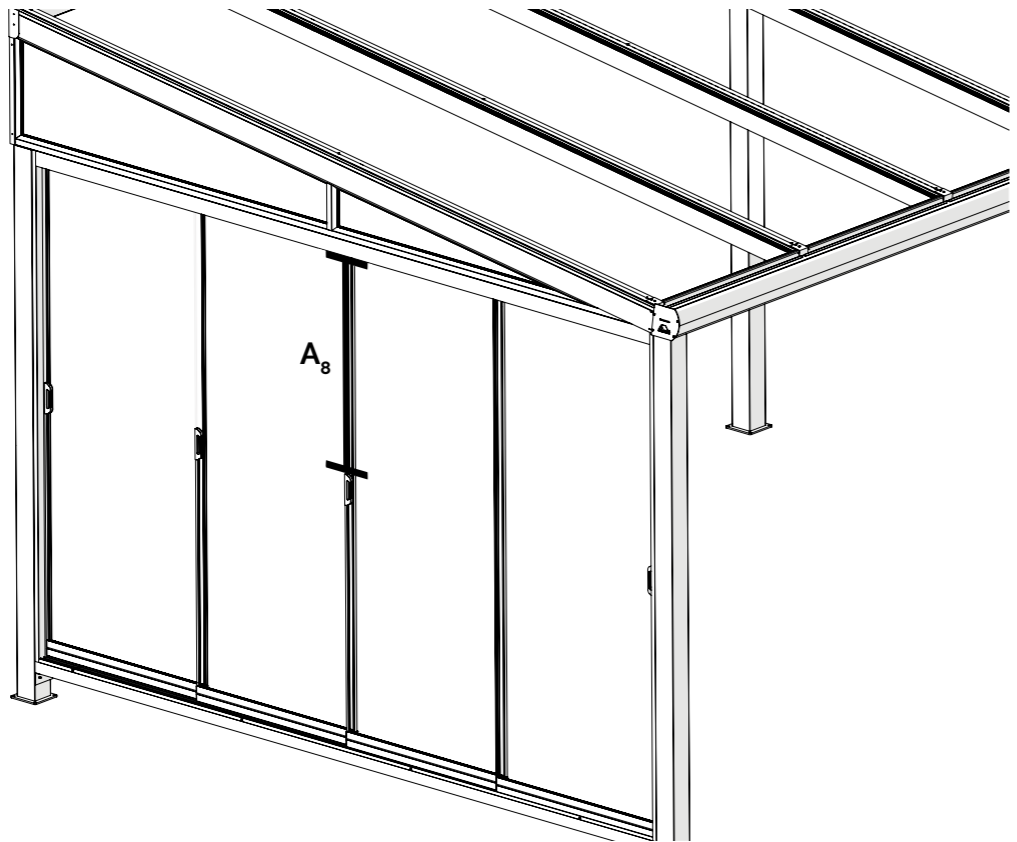
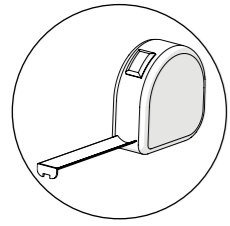
79
↻



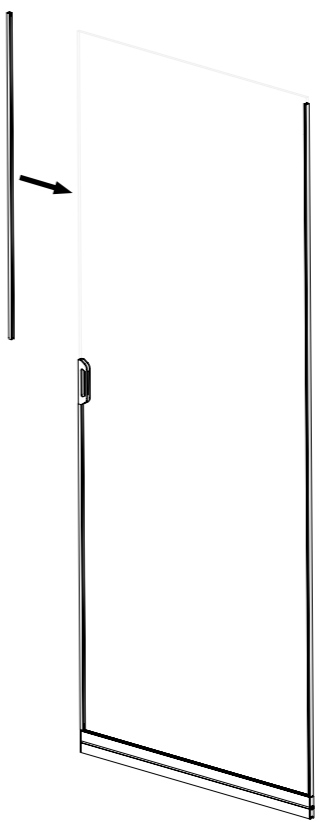
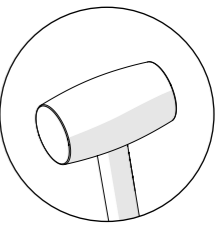
81
↻



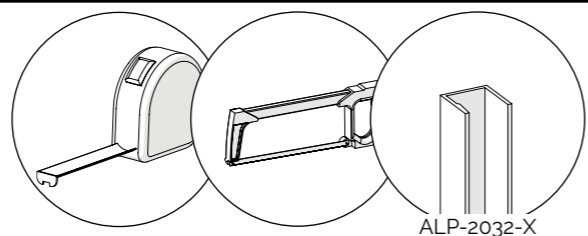
82



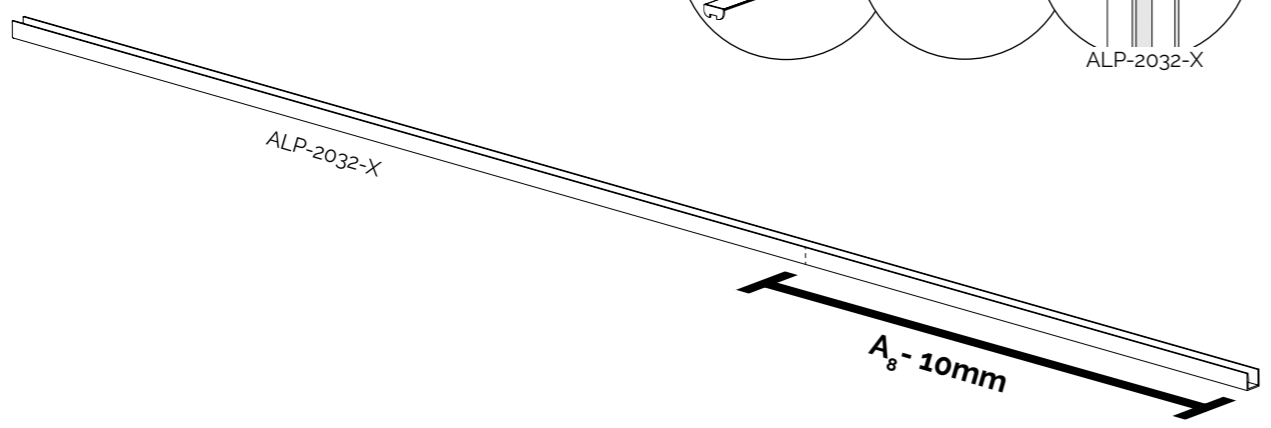
84



83

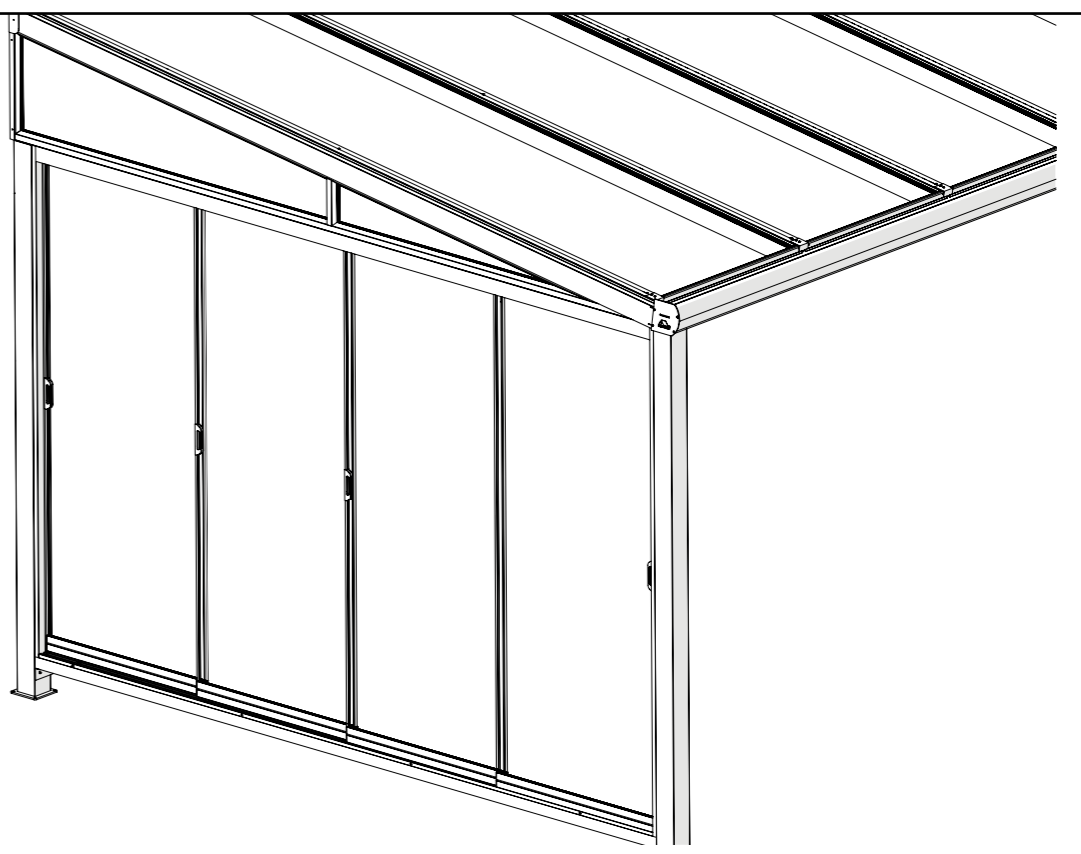


ALP-2032-X



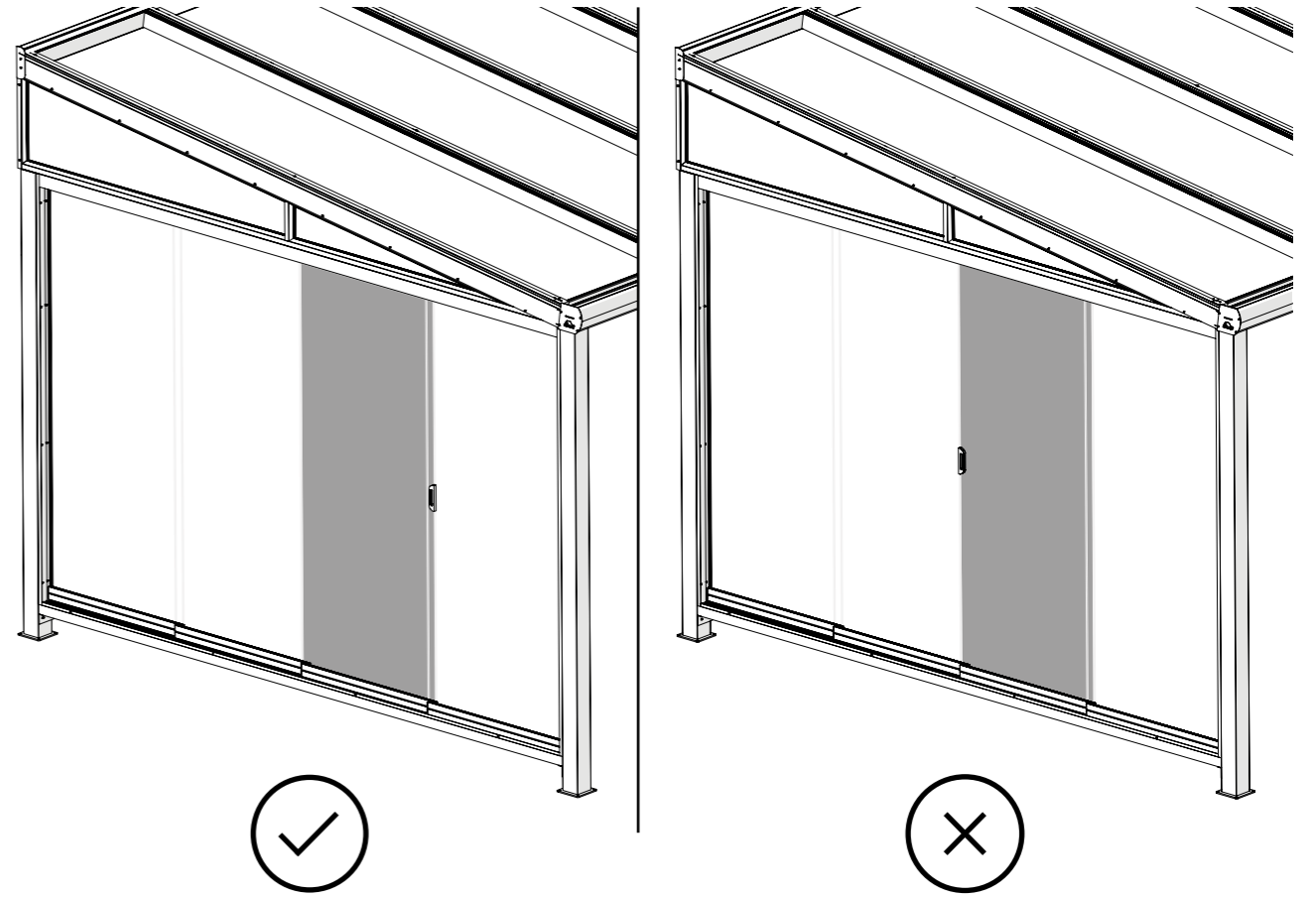
ALP-2032-X

A₈ - 10mm

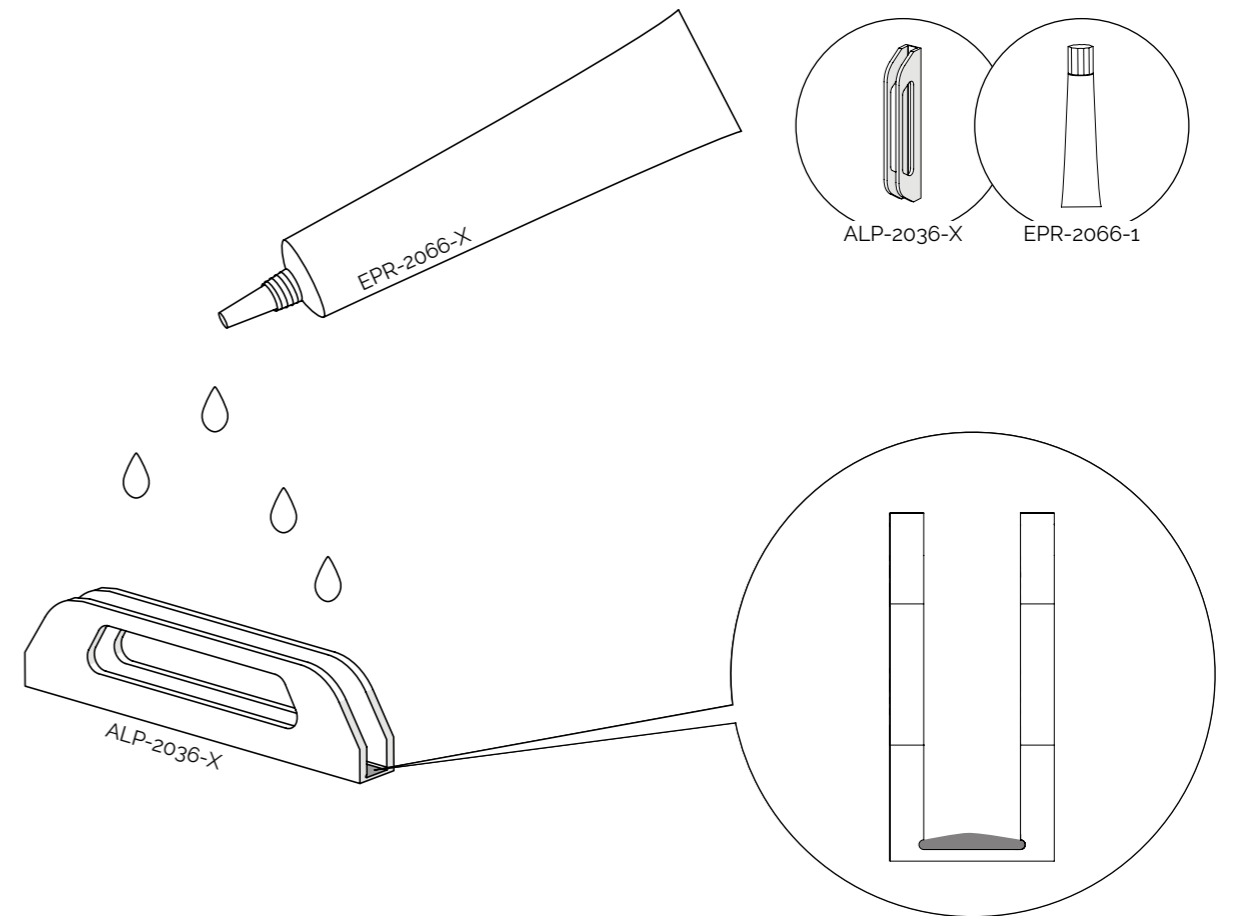


DOOR HANDLES (ONLY)

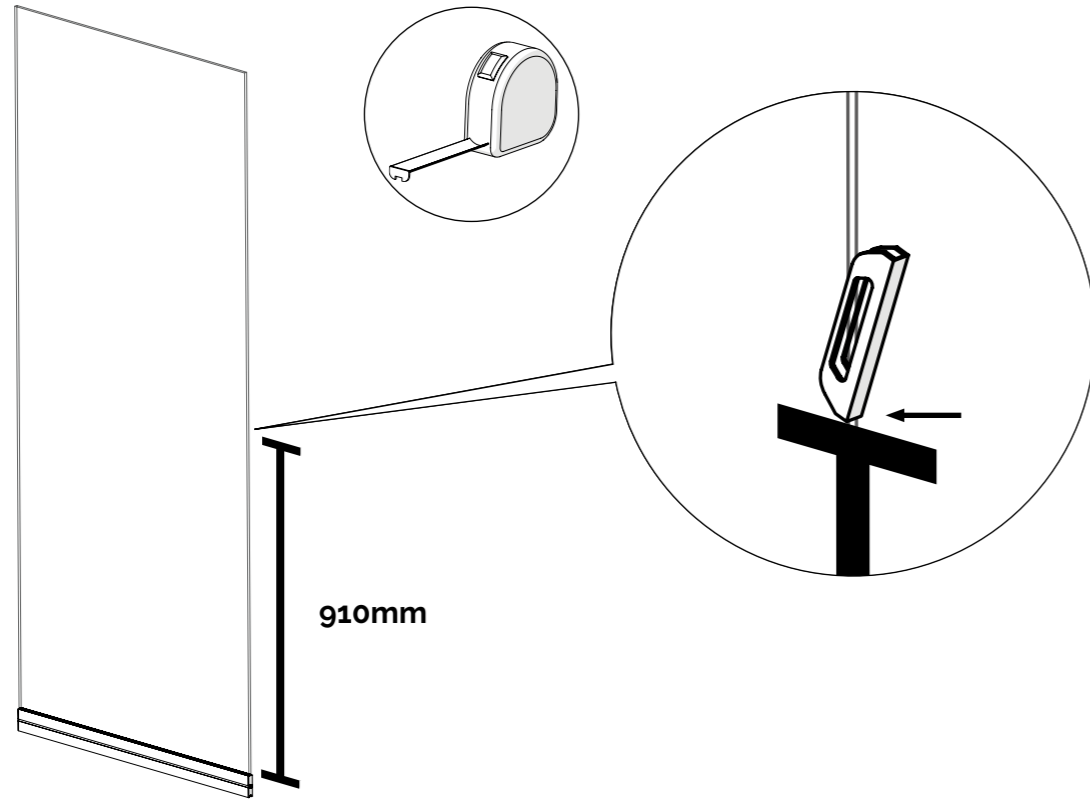
85
↻



86
↻

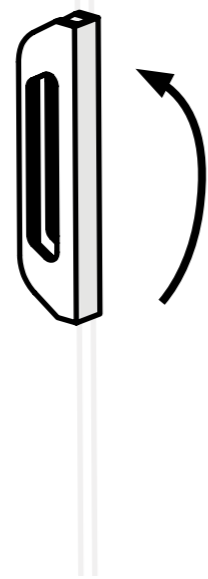


87
↻

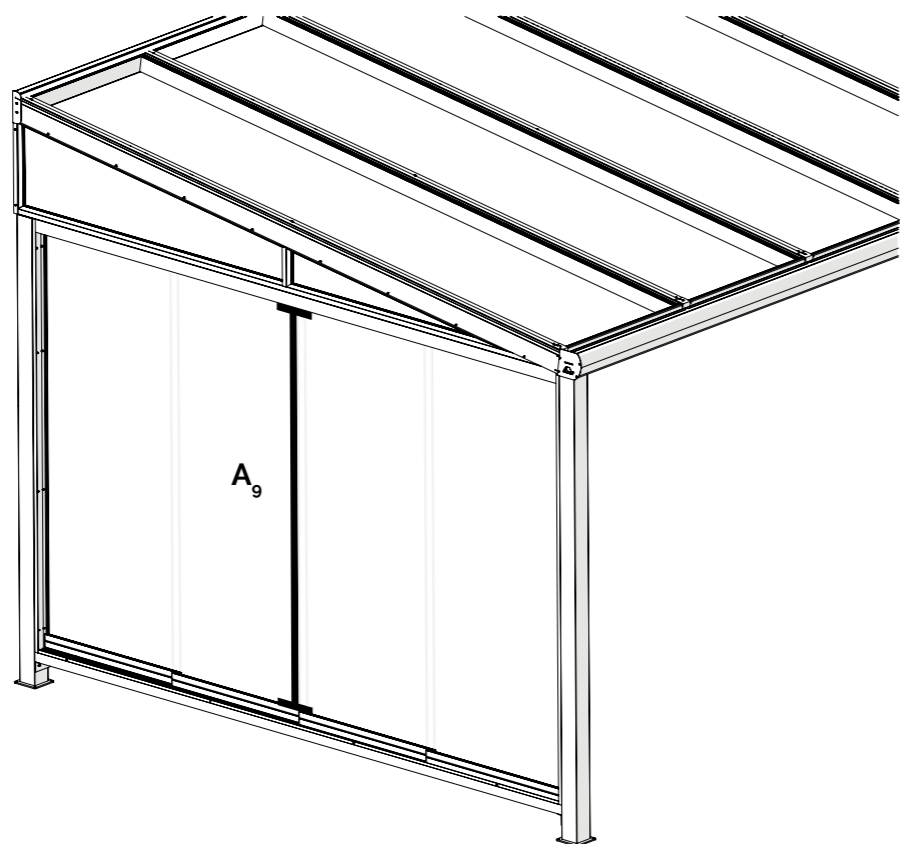
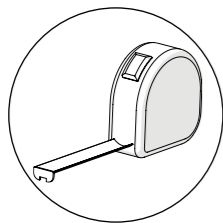


DRAFT STRIPS & DECORATIVE STRIPS (ONLY)

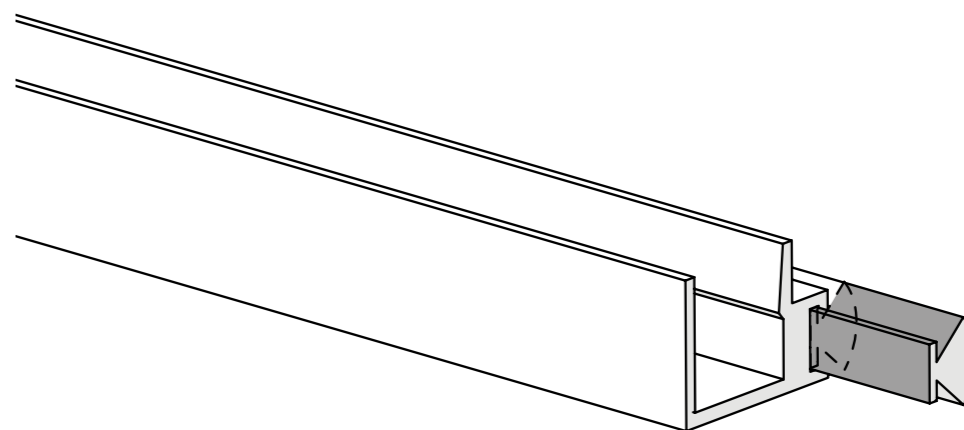
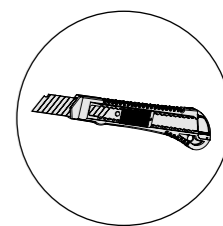
88
↻



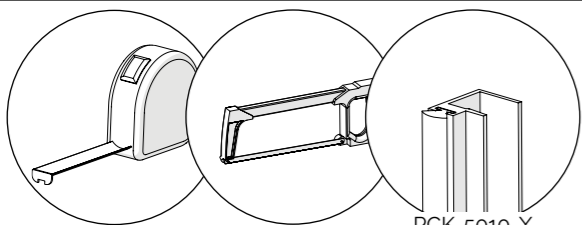
89



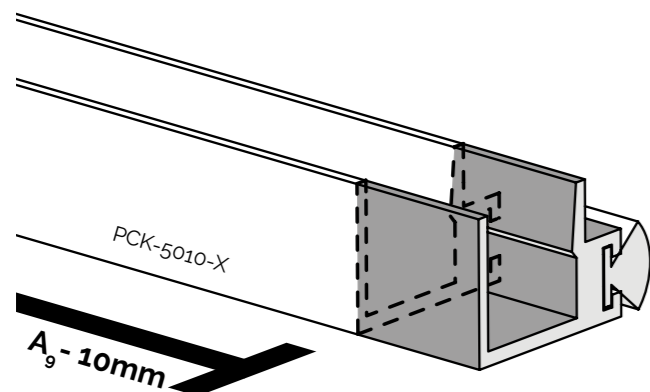
91



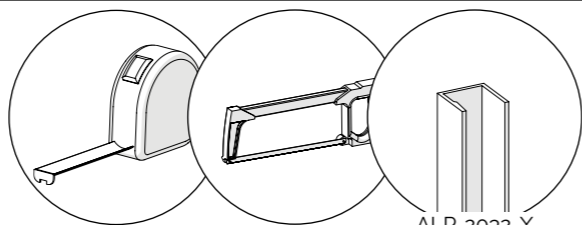
90



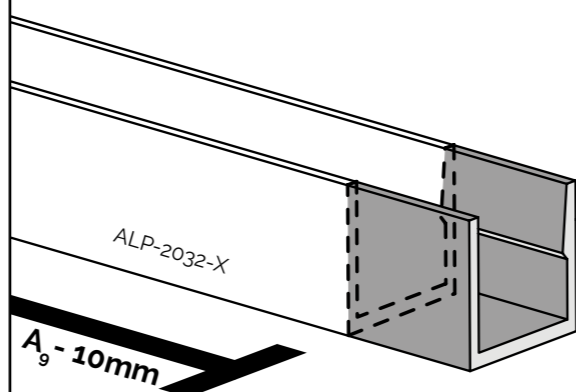
PCK-5010-X



⚠ Continue with step 90

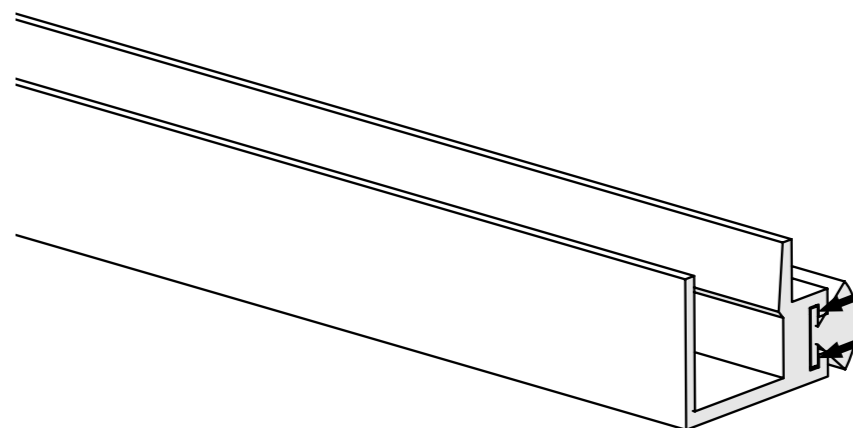
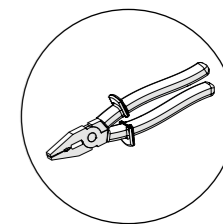


ALP-2032-X

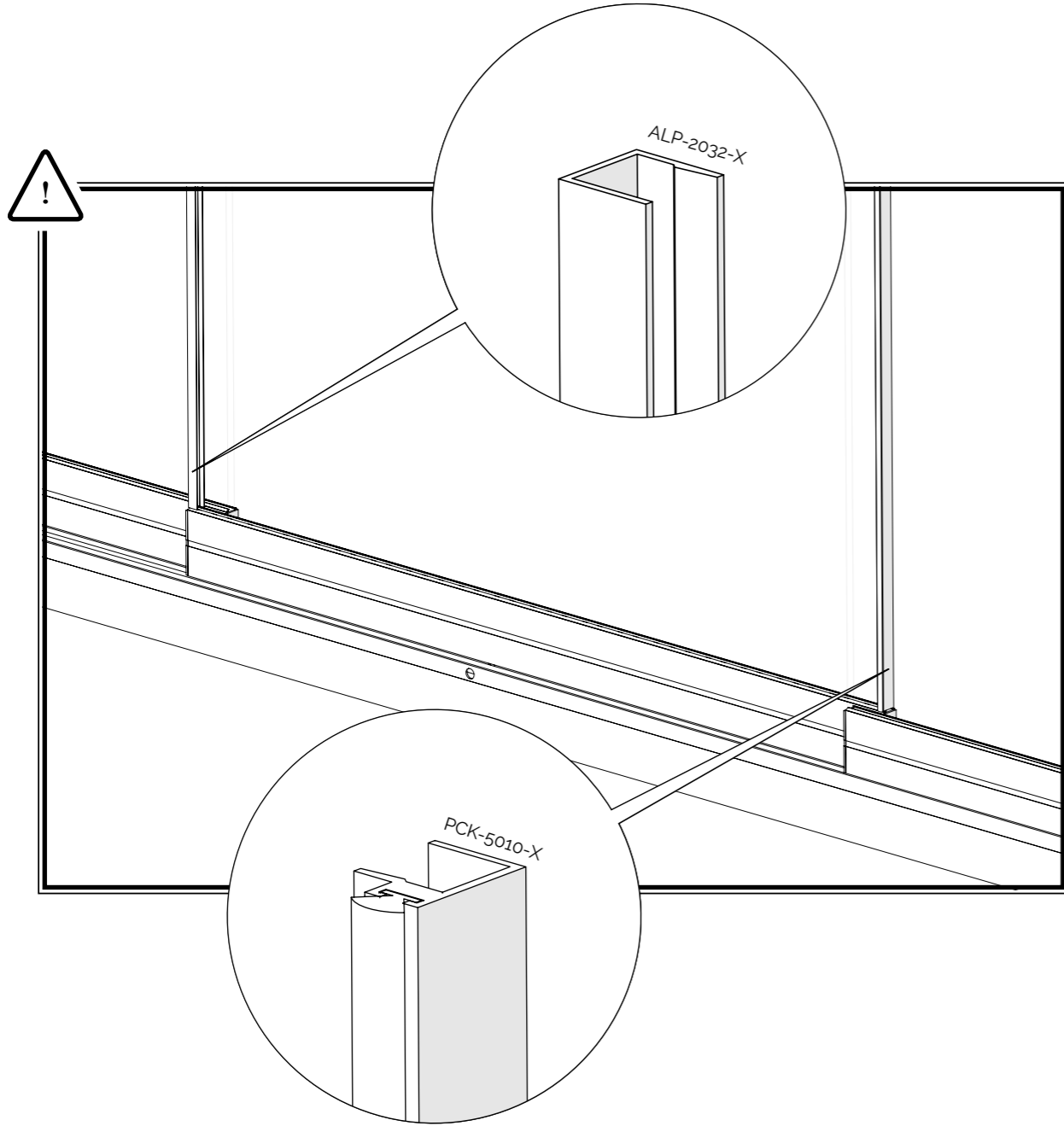


⚠ Continue with step 92

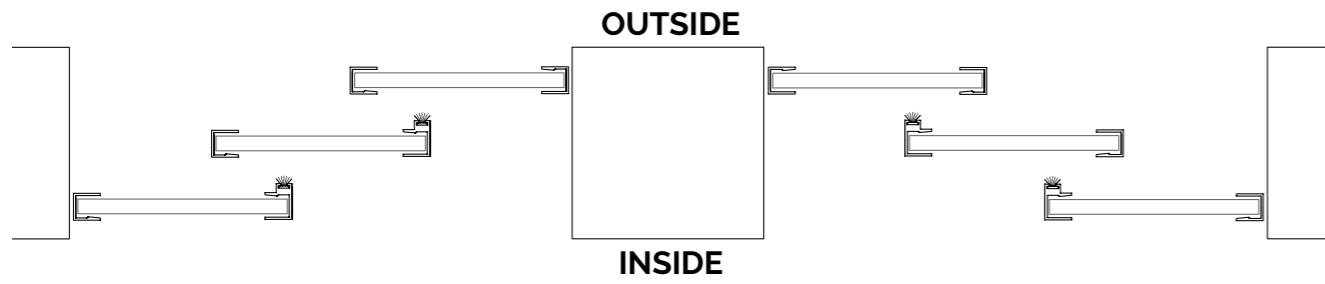
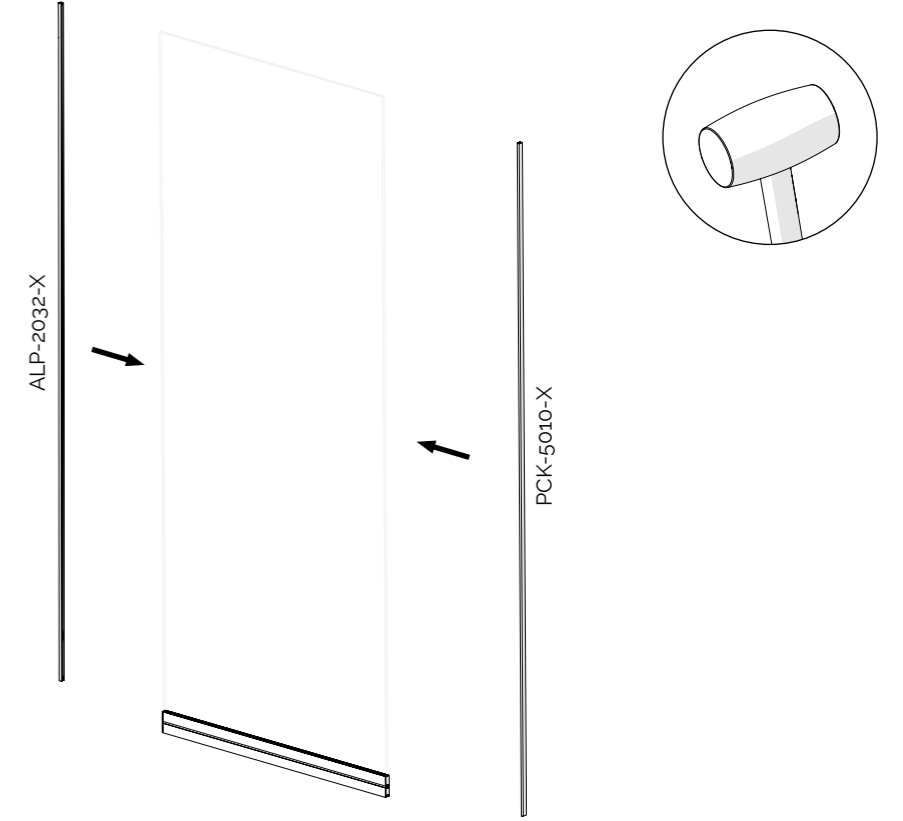
92



93

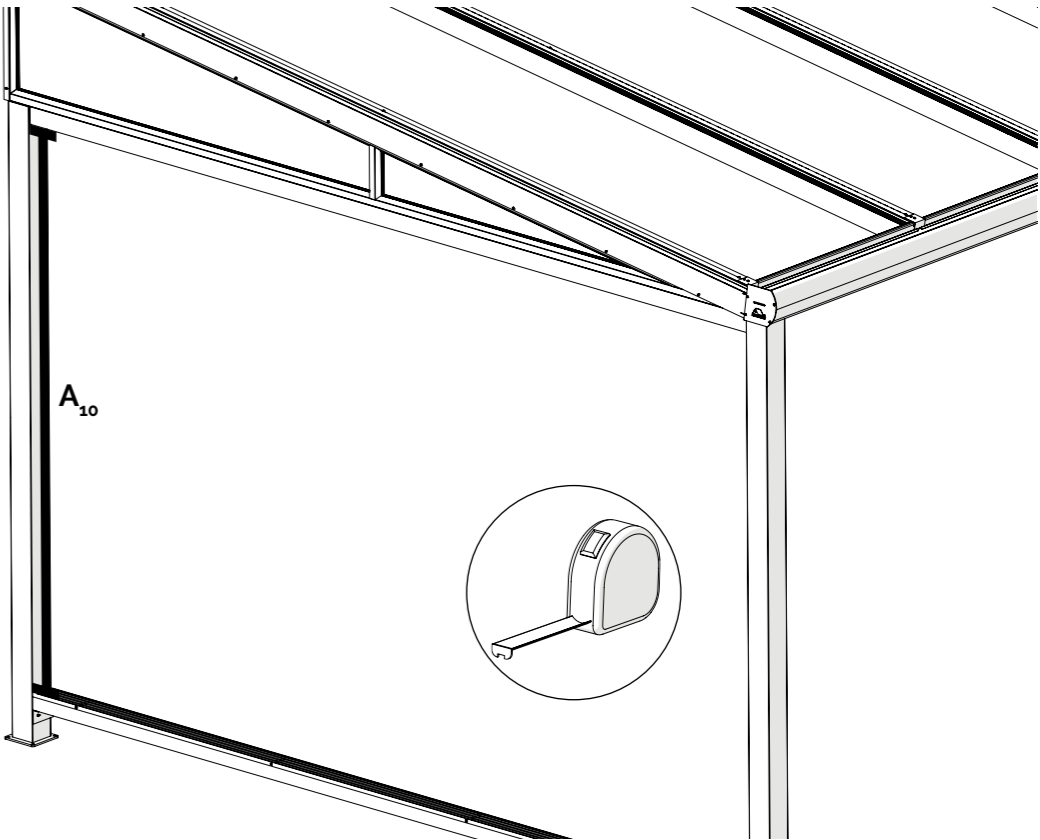


94

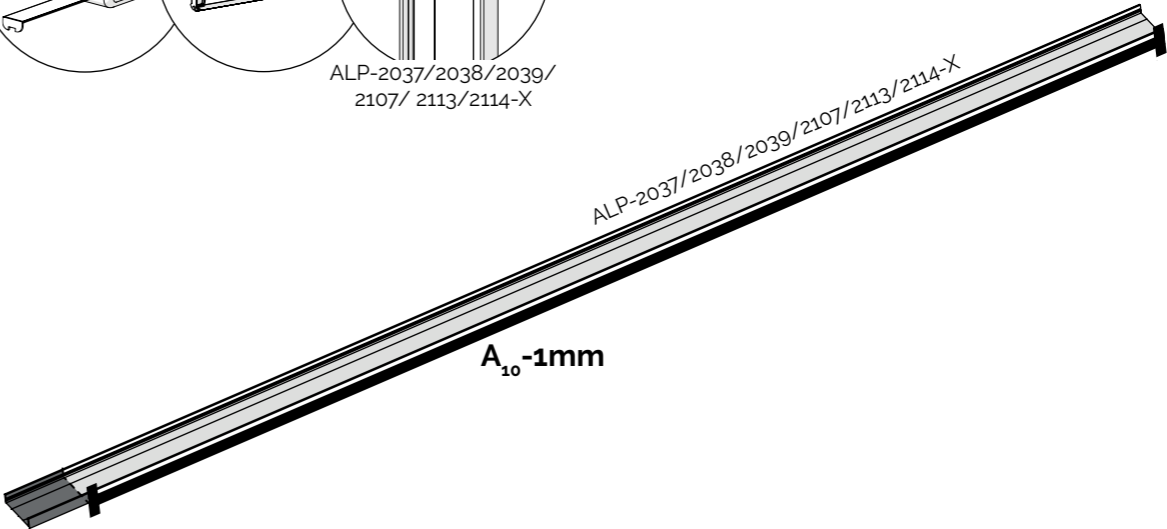
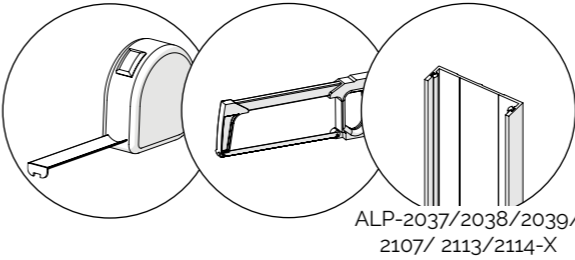


U-PROFILE AFTERWARDS

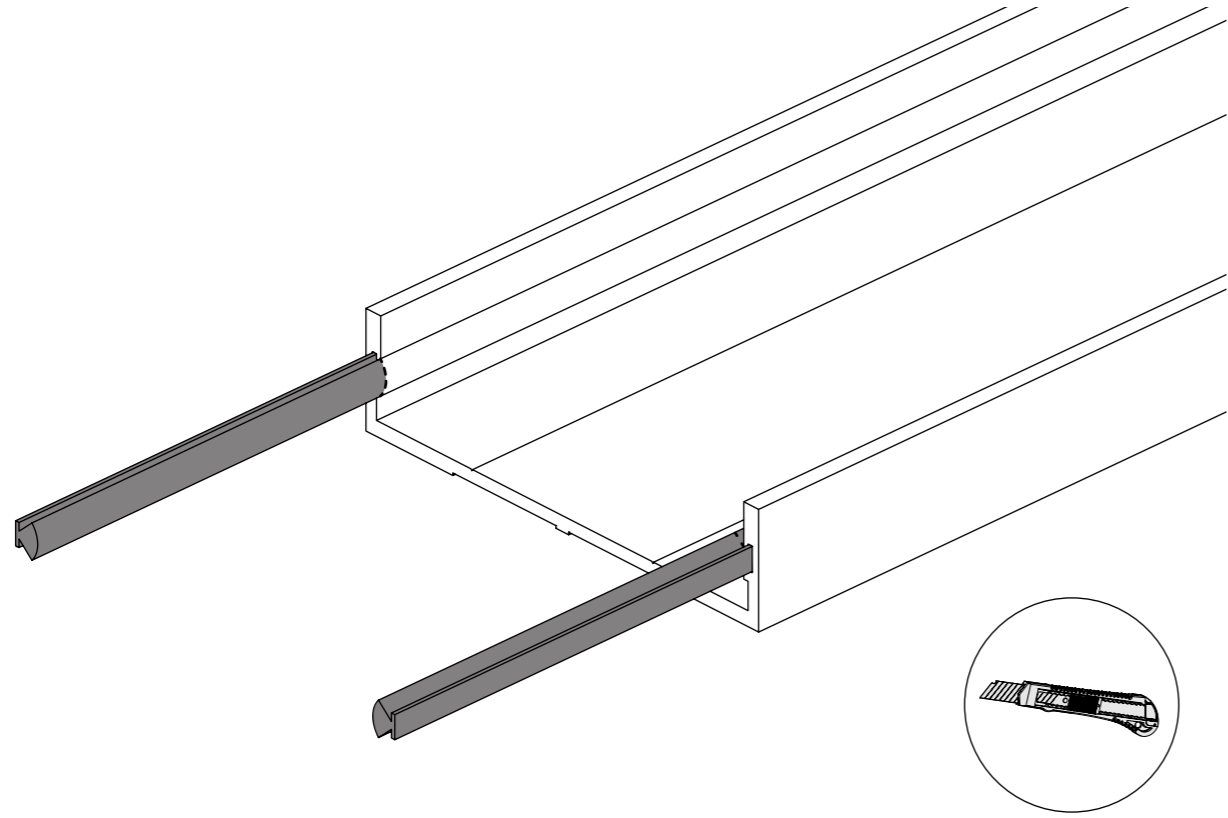
95
↻



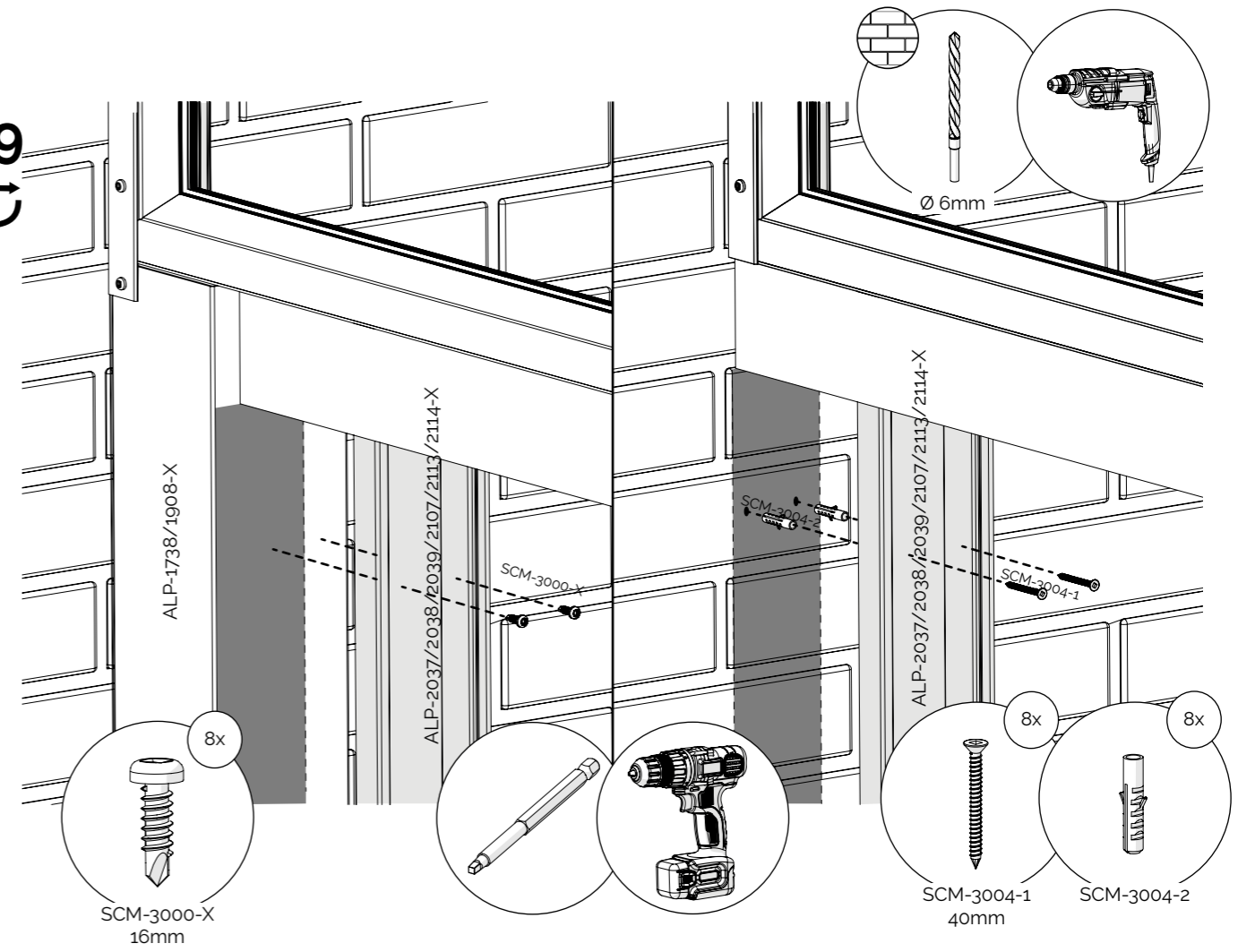
96
↻



97



99



98

