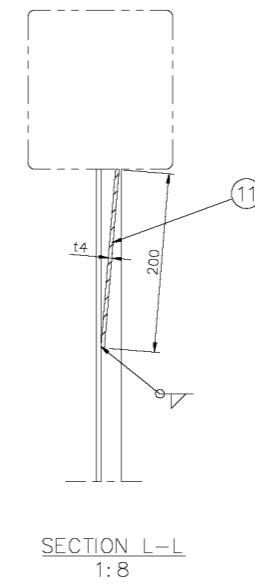
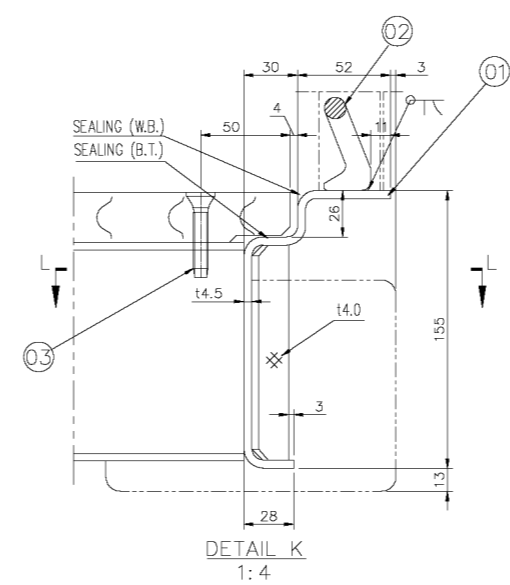
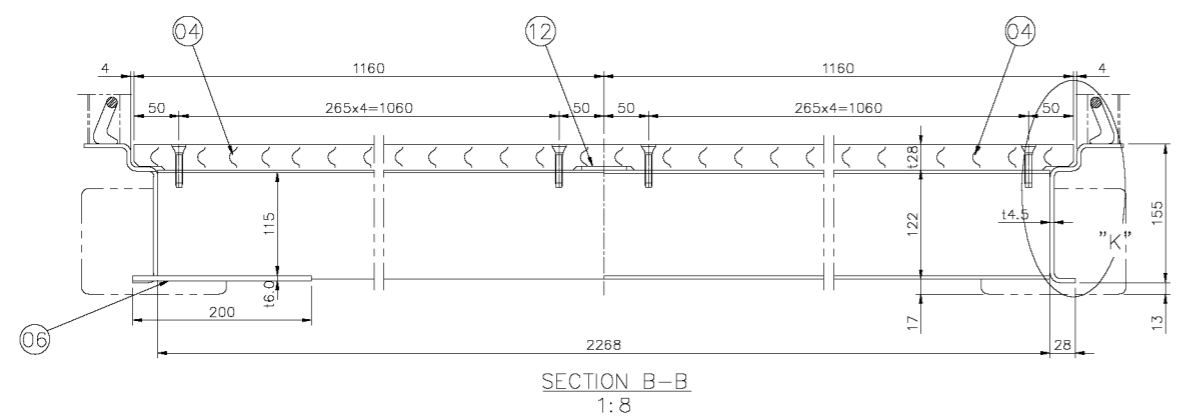
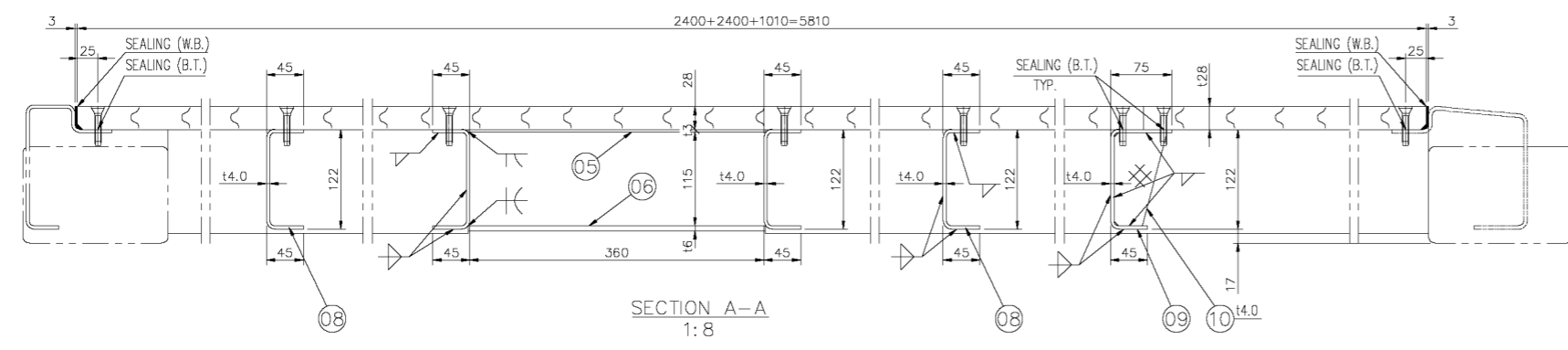
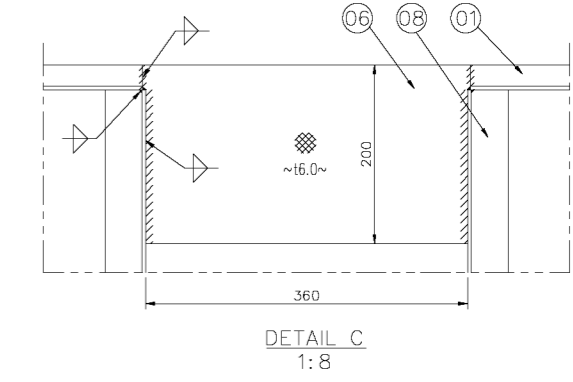
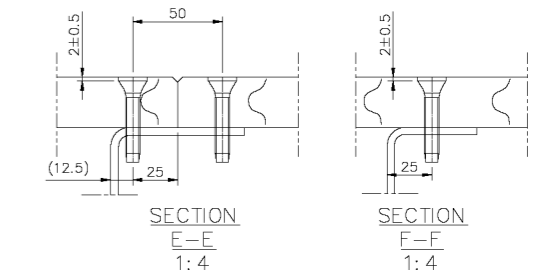
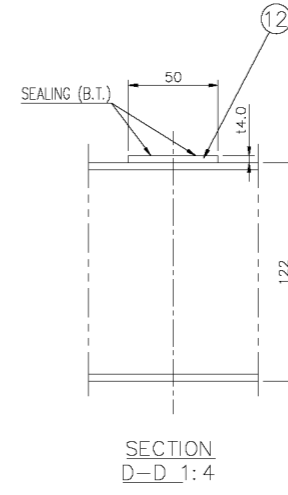
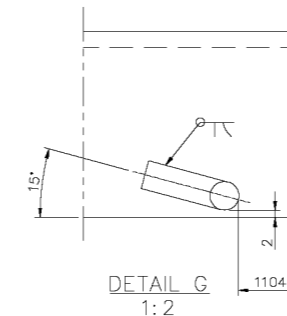
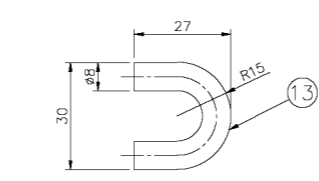
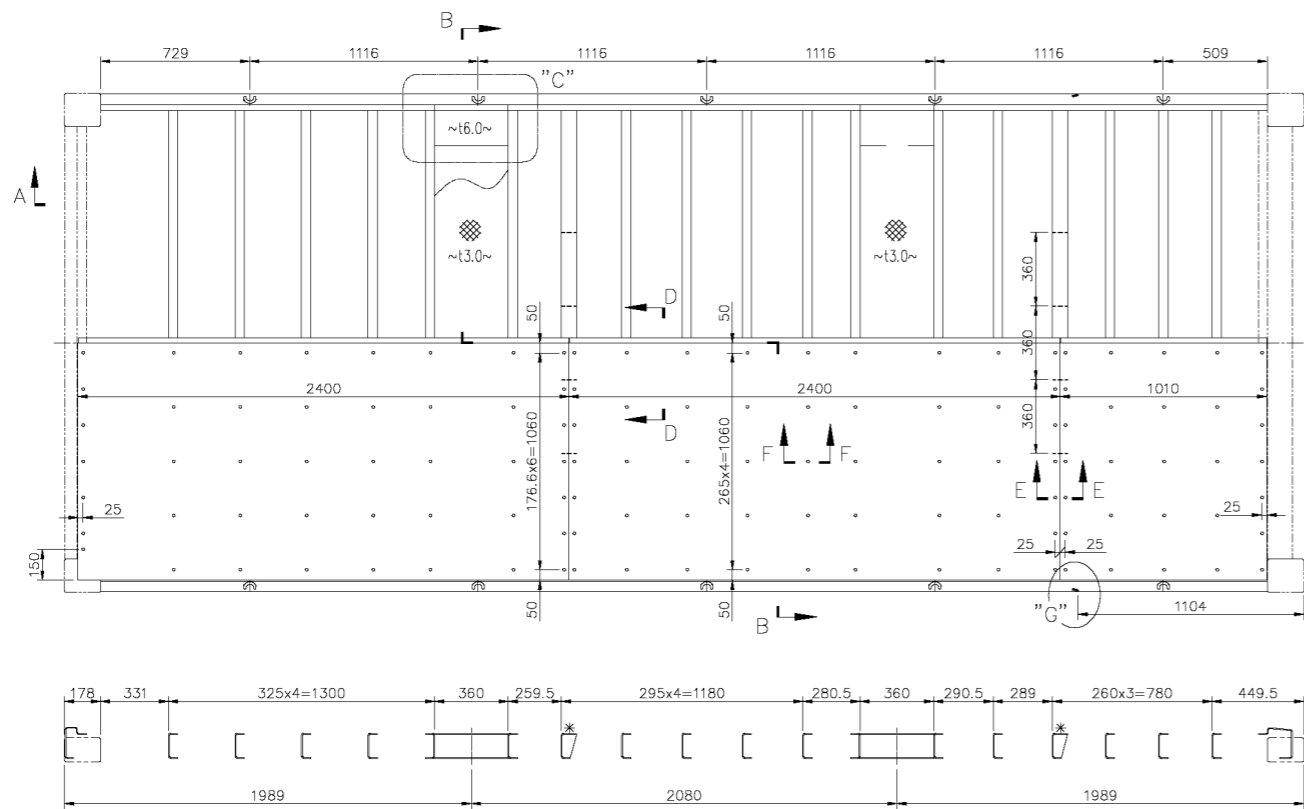


06	ARRANGEMENT OF MARKING	AS PER EACH ORDER	-	-	-
05	ROOF ASSEMBLY	GRF-2026-00001	1	-	-
04	SIDE ASSEMBLY	CLS/GRS-2024-00001	1+1	-	-
03	REAR ASSEMBLY	GRE-2024-00091	1	-	-
02	FRONT ASSEMBLY	GFR-2024-00007	1	-	-
01	BASE ASSEMBLY	GBS-2024-00001	1	-	-
ITEM	DESCRIPTION	DRAWING NO.	Q.TY	MATERIAL	REMARK

TITLE	20'x8'x8'6" GENERAL ASSEMBLY	SIZE	A3	PAGE	1/1
DWG. NO.	GB2024CD-00101	SCALE	1:65	REV	A
◇ CRITICAL CHARACTERISTIC	DESIGN	John	STANDARD	吴颜英	
SPECIAL CHARACTERISTIC	CHECK	吴潮栋	APPROVED	张志伦	
	PROCESS	gongyi	DATE	2019/12/6	

MARK	DESCRIPTION	MODIFY NO.	SIGN	DATE



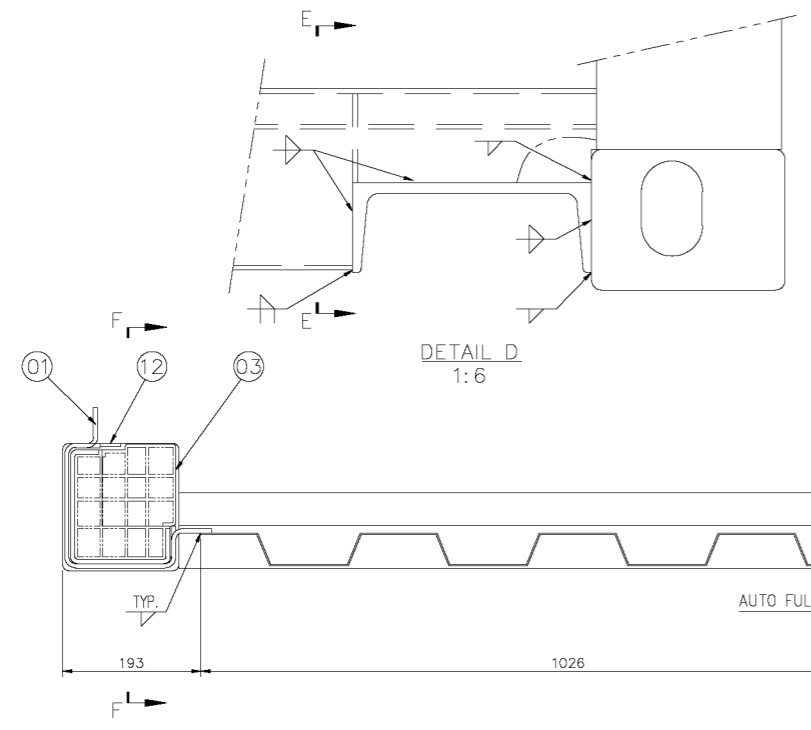
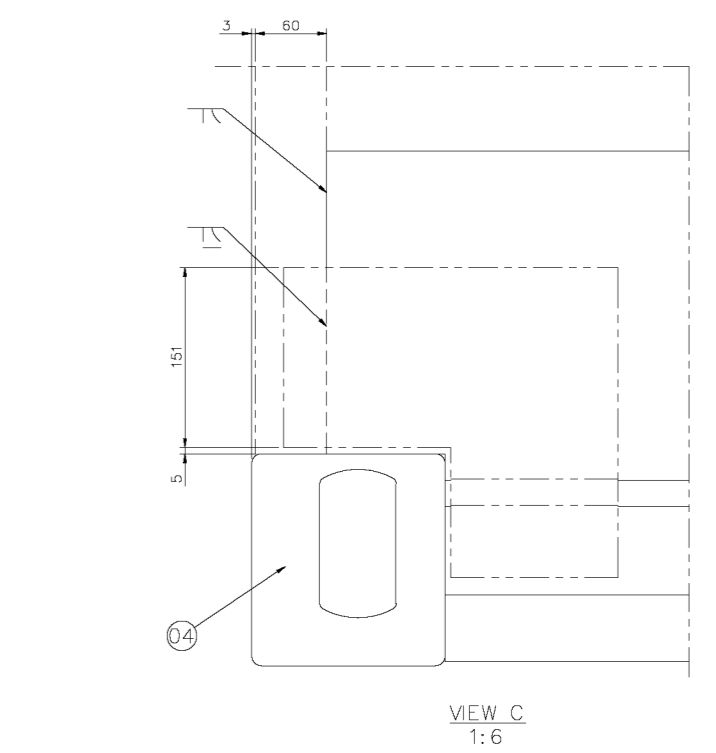
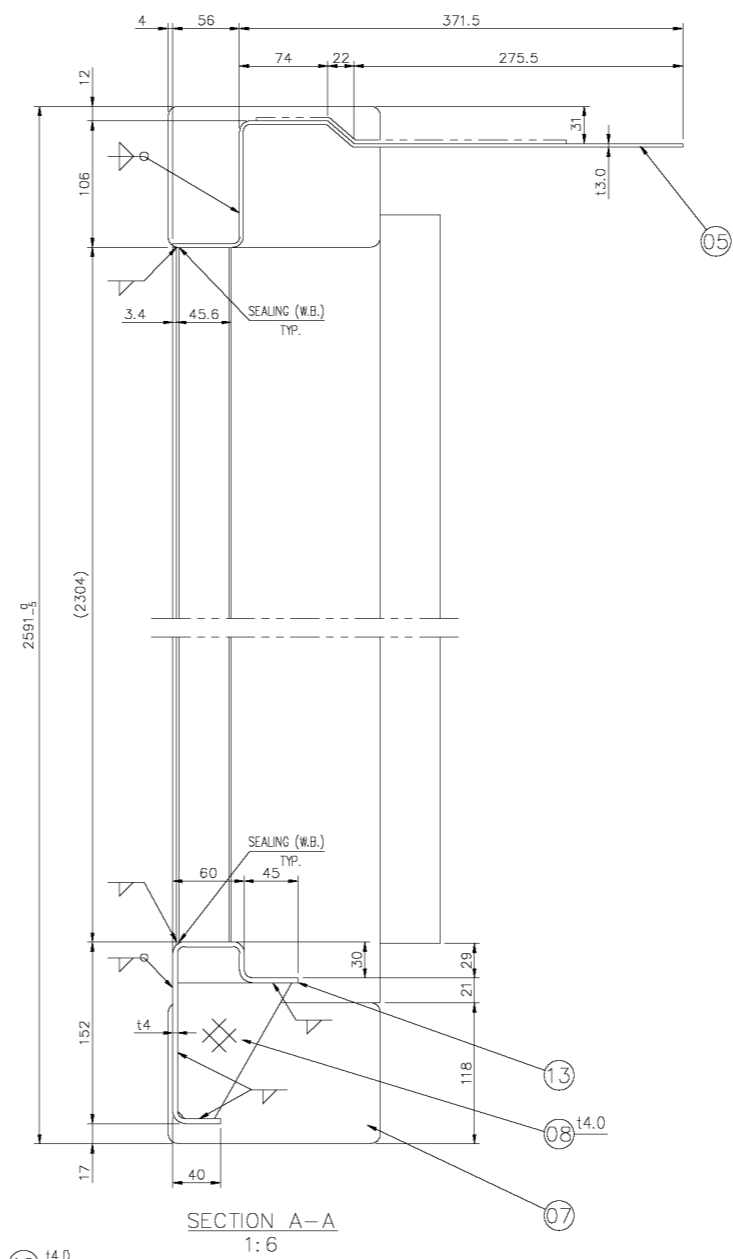
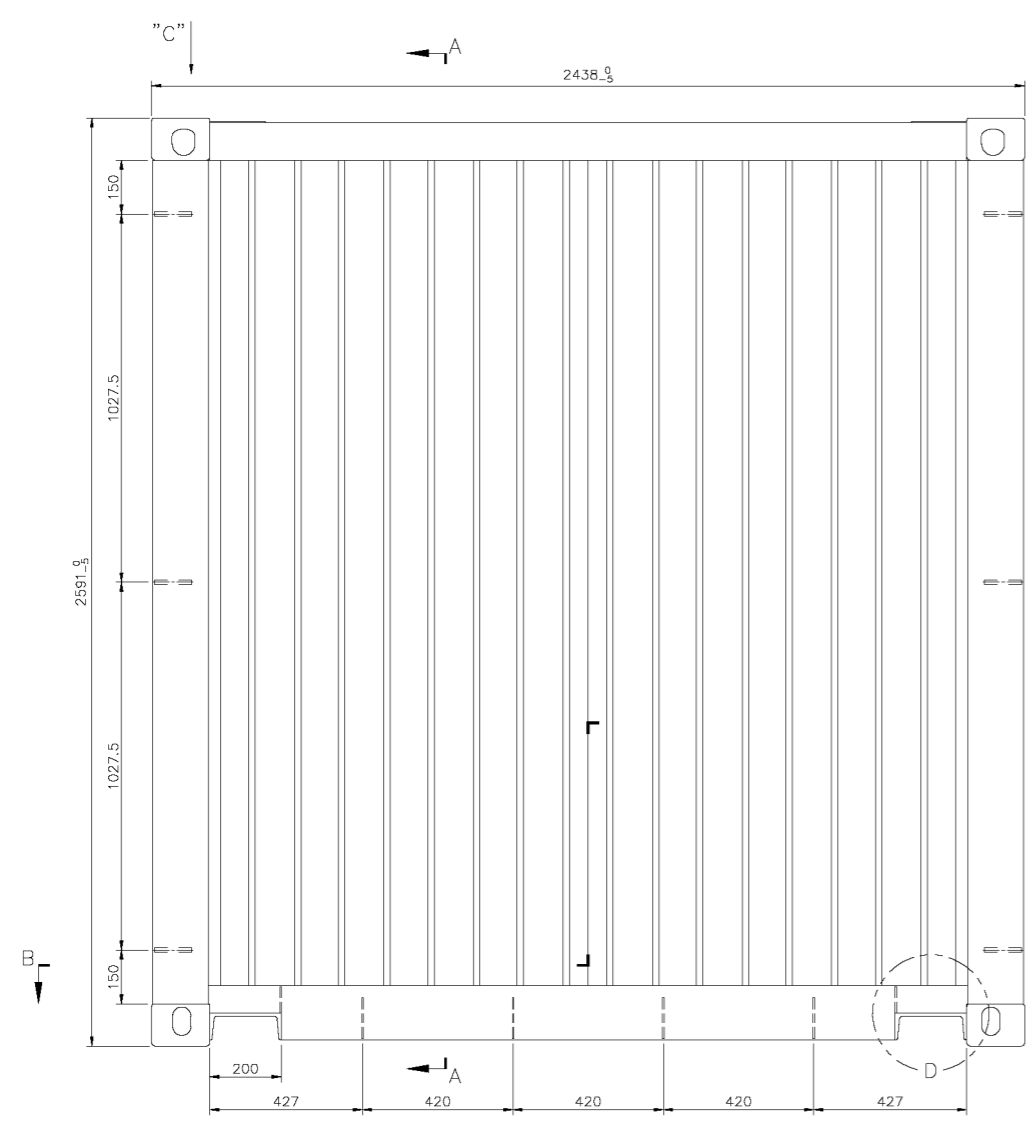
\* NOTE \*

1. E.Z.P. = ELECTRO ZINC PLATED.
2. H.D.G. = HOT DIP GALVANIZED.
3. C.P. = CHLOROPRENE SEALANT (FDA).
4. B.T. = BUTYL SEALANT.
5. W.B. = WATER BORNE SEALANT.

ITEM	DESCRIPTION	DRAWING NO.	Q.TY	MATERIAL	REMARK
13	DOOR HOOK HOLDER	LT24-00034	2	SS400 #8	E.Z.P.
12	FLOOR CENTER RAIL	GBS012-00002	1SET	SPA-H 14.0x50	L=5790
11	B.S.R.CORNER STIFFENER	GBS011-00001	4	SPA-H 14.0	
10	STIFFENER-CROSS MEMBER	GBS010-00001	8	SPA-H 14.0	
09	CROSS MEMBER LARGE	GBS009-00001	2	SPA-H 14.0x75x122x5	L=2268
08	CROSS MEMBER SMALL	GBS008-00001	16	SPA-H 14.0x45x122x5	L=2268
07	-	-	-	-	-
06	FORK POCKET LOWER PLATE	GBS014-00001	4	SPA-H 16.0	
05	FORK POCKET UPPER PLATE	GBS013-00001	2	SPA-H 13.0	
04	FLOOR PLYWOOD	AS PER EACH ORDER	1SET	PLYWOOD	
03	SELF TAPPING SCREW	LB02-05032	244	S20C M8x45L	E.Z.P.
02	LASHING RING	GLT01-00001	10	SS400 #12	E.Z.P.
01	BOTTOM SIDE RAIL	GBS001-00003	2	SPA-H 14.5	

TITLE	BASE ASSEMBLY	SIZE	A3	PAGE	1/1
DWG. NO.	GBS-2024-00001	SCALE	1:35	REV	A
CRITICAL CHARACTERISTIC	DESIGN	张志伦	STANDARD	吴颜英	
SPECIAL CHARACTERISTIC	CHECK	jiaodui	APPROVED	shenpi	
	PROCESS	gongyi	DATE	riqi	

MARK	DESCRIPTION	MODIFY NO.	SIGN	DATE
1				



- \* NOTE \*
1. E.Z.P. = ELECTRO ZINC PLATED.
  2. H.D.G. = HOT DIP GALVANIZED.
  3. C.P. = CHLOROPRENE SEALANT (FDA).
  4. B.T. = BUTYL SEALANT.
  5. W.B. = WATER BORNE SEALANT.

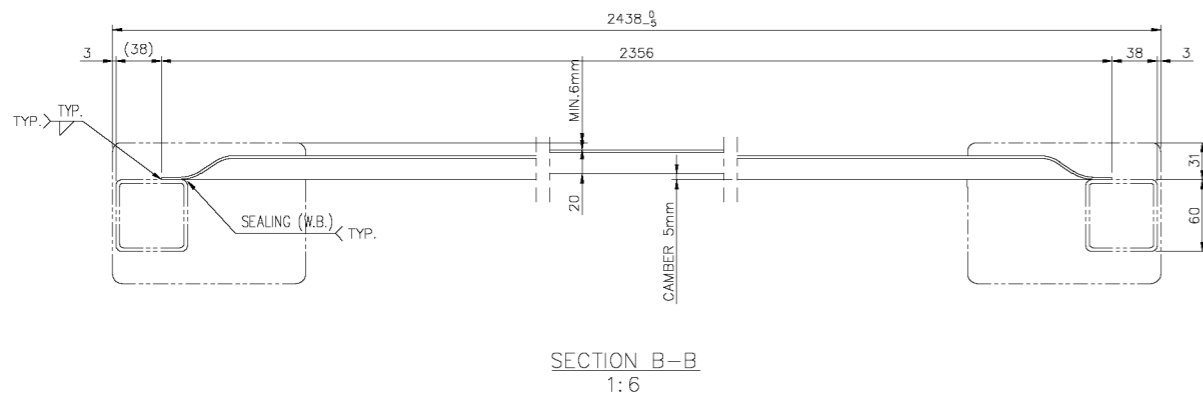
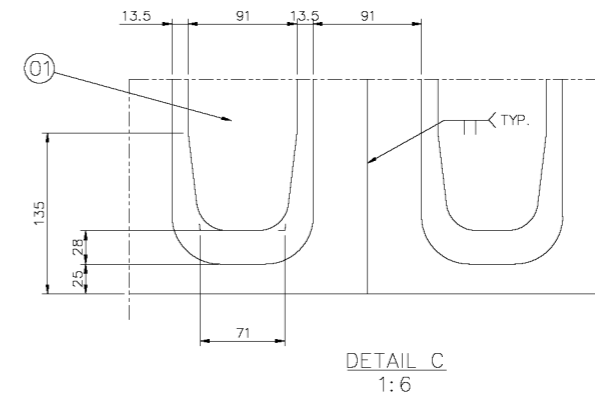
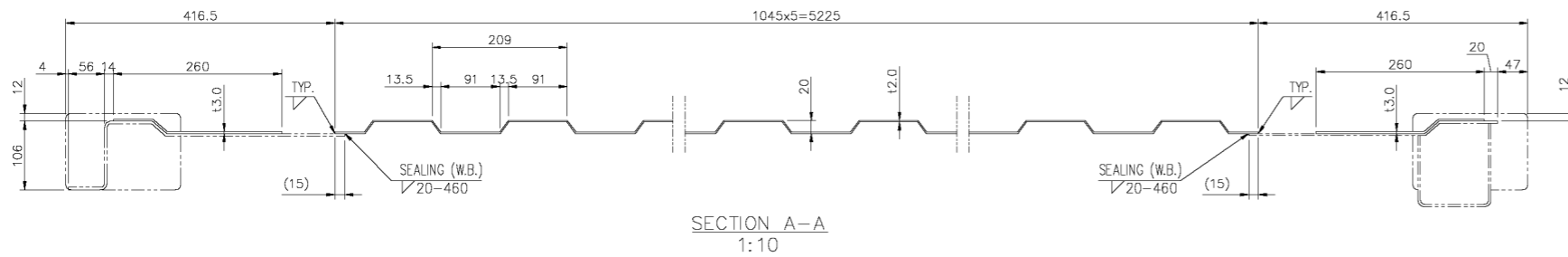
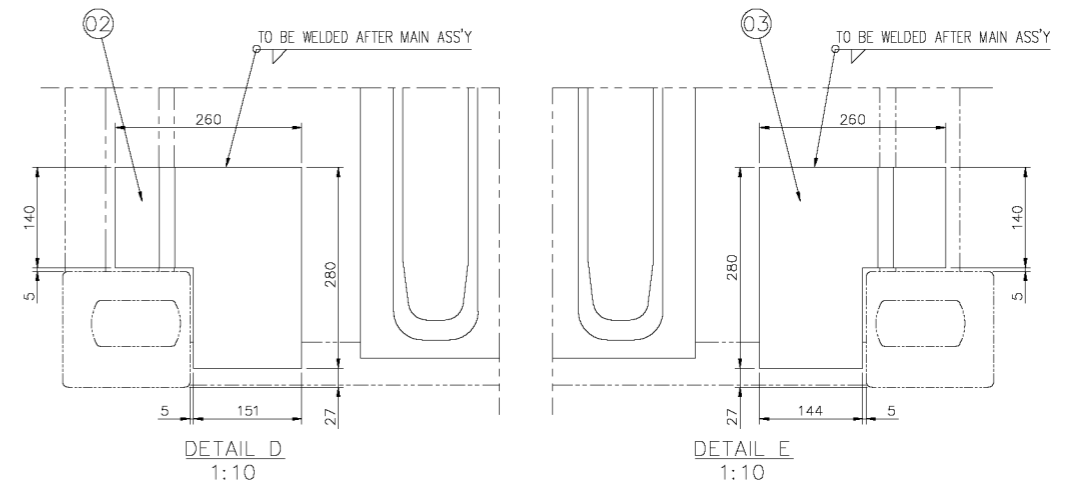
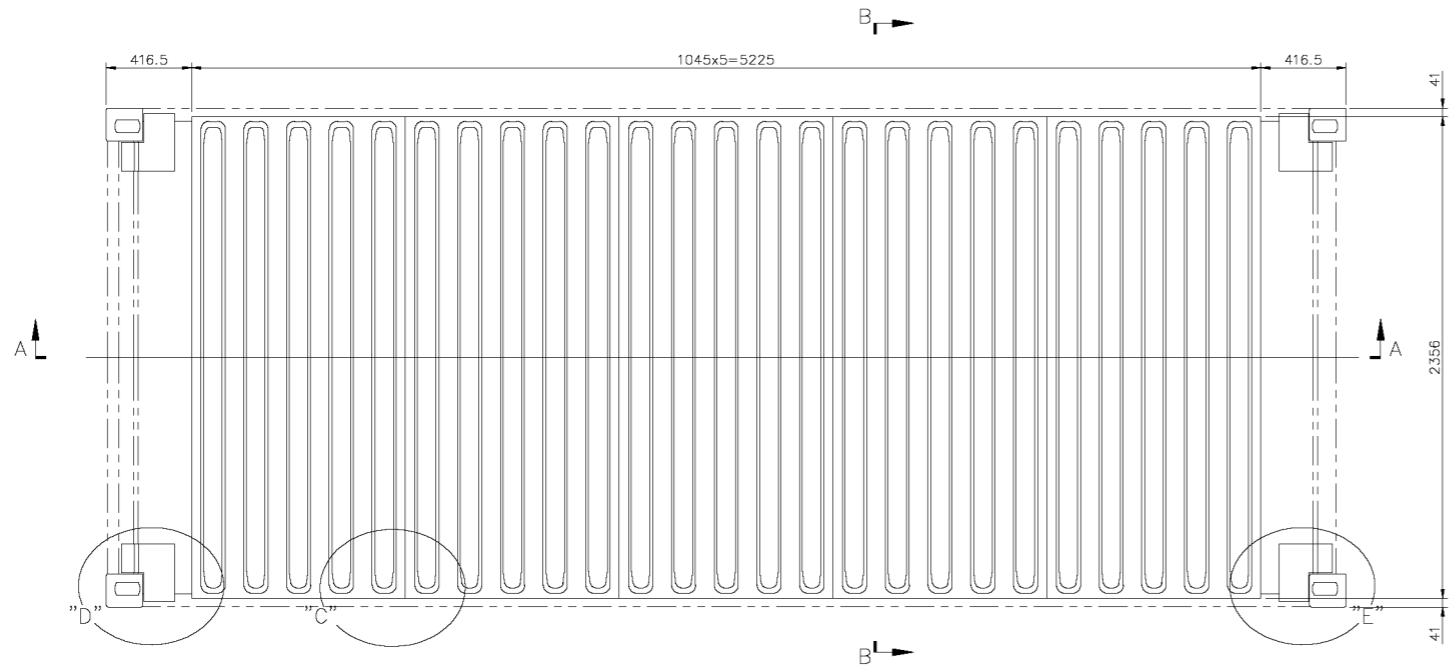
ITEM	DESCRIPTION	DRAWING NO.	Q.TY	MATERIAL	REMARK
13	FRONT BOTTOM END RAIL	GFR008-00001	1	SPA-H t4.0	
12	SIDE BOTTOM RAIL END FILLER	GFR005-00009	2	SPA-H t4.0x25x30	
11	CHANNEL SECTION CLOSE PATCH B	GFR005-00007	2	SPA-H t4.0x50x199	
10	CHANNEL SECTION CLOSE PATCH A	GFR005-00006	2	SPA-H t4.0x50x75	
09	CHANNEL SECTION	LT12-01041	2	SS400	t9x200x75x42(L)
08	BOTTOM END RAIL GUSSET	GFR007-00001	4	SPA-H 4.0	
07	CORNER CASTING	LT25-00003/LT25-00004	1+1	SCW480	
06	FRONT LASHING BAR	GLT01-00003	6	SS400 #12	E.Z.P.
05	FRONT TOP END RAIL	GFR003-00030	1	SPA-H t3.0	
04	CORNER CASTING	LT25-00031/LT25-00032	1+1	SCW480	
03	CORNER FLOOR SUPPORT	QLT03-00001/QLT03-00002	1+1	POLYPROPYLENE	
02	FRONT PANEL	GFR002-00007	2	SPA-H t2.0	
01	FRONT CORNER POST	GFR001-00031/GFR001-00032	1+1	SPA-H t6.0	

TITLE	FRONT ASSEMBLY	SIZE	A3	PAGE	1/1
DWG. NO.	GFR-2024-00007	SCALE	1:20	REV	B
CRITICAL CHARACTERISTIC	DESIGN	WU C. D.	STANDARD	吴颜英	
SPECIAL CHARACTERISTIC	CHECK	吴瀚栋	APPROVED	张志伦	
	PROCESS	gongyi	DATE	2019/5/17	

MARK	DESCRIPTION	MODIFY NO.	SIGN	DATE
1				



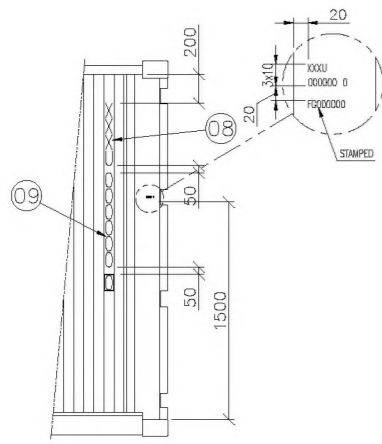




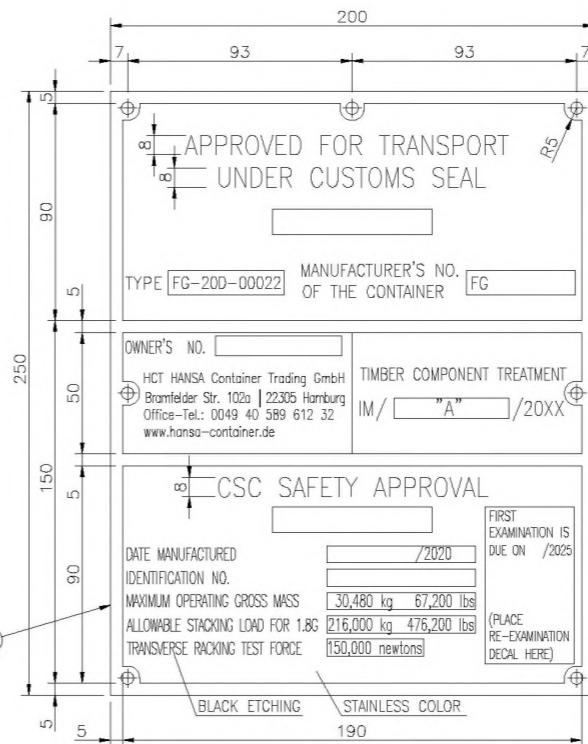
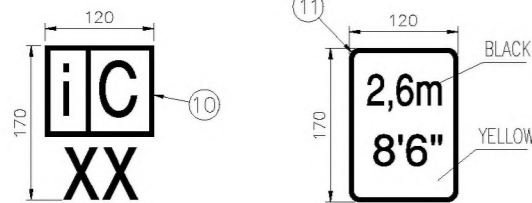
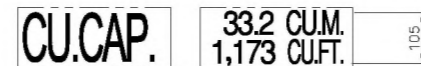
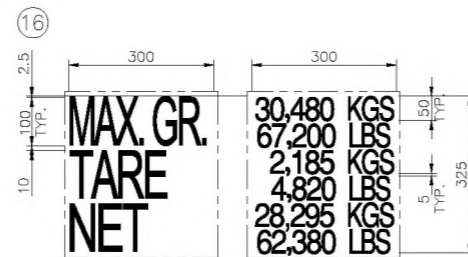
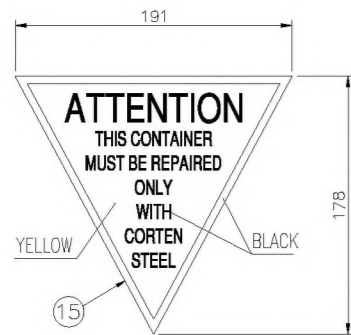
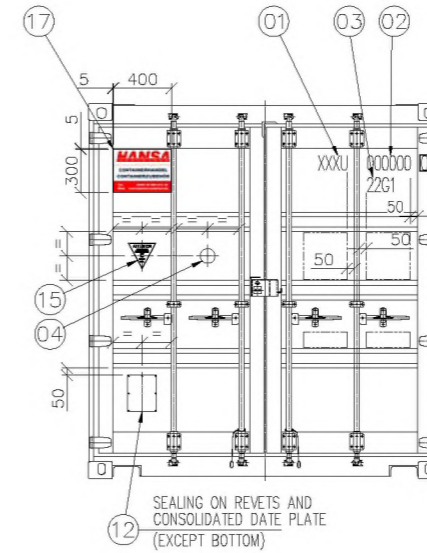
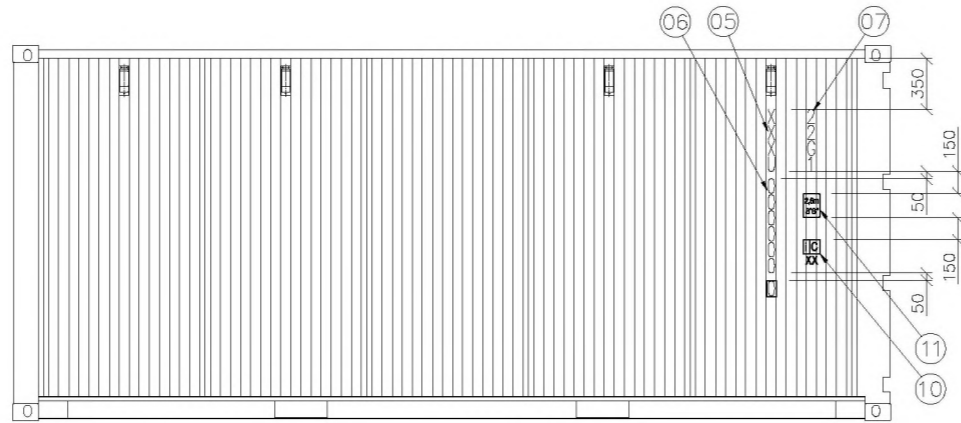
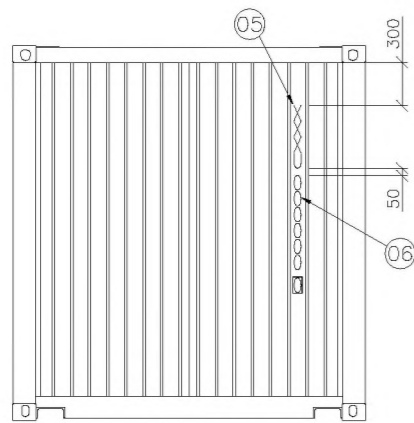
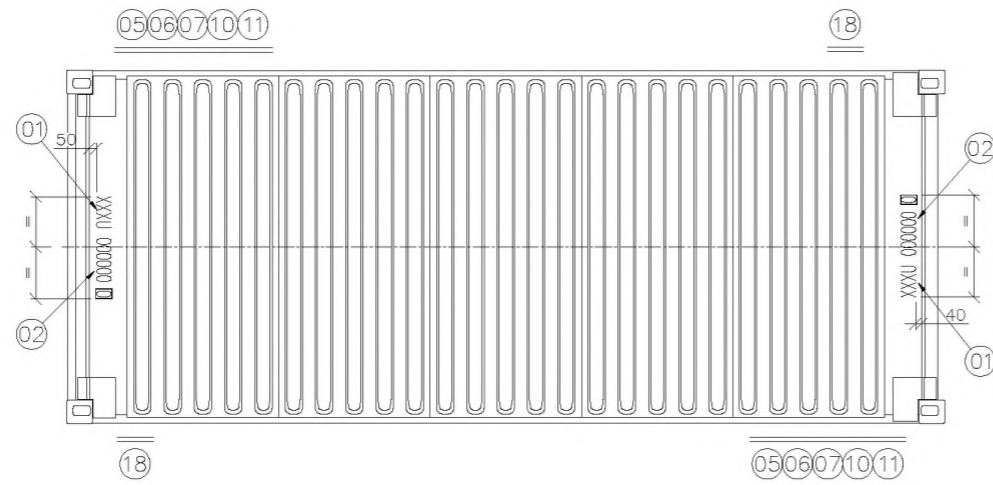
- \* NOTE \*
1. E.Z.P. = ELECTRO ZINC PLATED.
  2. H.D.G. = HOT DIP GALVANIZED.
  3. C.P. = CHLOROPRENE SEALANT (FDA).
  4. B.T. = BUTYL SEALANT.
  5. W.B. = WATER BORNE SEALANT.

ITEM	DESCRIPTION	DRAWING NO.	Q. TY.	MATERIAL	REMARK
03	REINFORCEMENT PLATE REAR	GRF002-00029/GRF002-00030	1+1	SPA-H t3.0	
02	REINFORCEMENT PLATE FRONT	GRF002-00027/GRF002-00028	1+1	SPA-H t3.0	
01	ROOF PANEL	GRF001-00001	5	SPA-H t2.0	
TITLE ROOF ASSEMBLY SIZE A3 PAGE 1/1					
DWG. NO. GRF-2026-00001 SCALE 1:35 REV A					
◇ CRITICAL CHARACTERISTIC DESIGN - STANDARD 吴颜英					
SPECIAL CHARACTERISTIC CHECK jiaodui APPROVED shenpi					
- PROCESS gongyi DATE riqi					

MARK	DESCRIPTION	MODIFY NO.	SIGN	DATE
1				



INSIDE RIGHT OF CONTAINER



\* Container External colour : RAL7016  
 \* Serial No. : HANU 120101 ~ 120160 (60 UNITS)

ITEM	DESCRIPTION	DRAWING NO.	Q.TY	MATERIAL	REMARK
17	DOOR LOGO	-	1	PVC FILM	
16	WEIGHT MARK	-	1	PVC FILM	WHITE(KISSCUT)
15	REPAIR MARK	-	1	PVC FILM	BLACK ON YELLOW
14	SEALANT	-	-	-	-
13	BLIND RIVET	LB05-06006	7	SUS 304	φ4.8x8
12	CONSOLIDATED DATE PLATE	LT26-00500	1	SUS 304	t0.8
11	HEIGHT MARK	-	2	PVC FILM	BLACK ON YELLOW
10	UIC MARK	-	2	PVC FILM	WHITE(KISSCUT)
09	SERIAL NO.(VER.)	-	1	PVC FILM	BLACK(KISSCUT)
08	OWNER CODE(VER.)	-	1	PVC FILM	BLACK(KISSCUT)
07	TYPE CODE (VER.)	-	2	PVC FILM	WHITE(KISSCUT)
06	SERIAL NO.(VER.)	-	3	PVC FILM	WHITE(KISSCUT)
05	OWNER CODE(VER.)	-	3	PVC FILM	WHITE(KISSCUT)
04	CLASS EMBLEM	-	1	-	-
03	TYPE CODE (HOR.)	-	1	PVC FILM	WHITE(KISSCUT)
02	SERIAL NO.(HOR.)	-	3	PVC FILM	WHITE(KISSCUT)
01	OWNER CODE(HOR.)	-	3	PVC FILM	WHITE(KISSCUT)

TITLE	ARRANGEMENT OF MARKING	SIZE	A3	PAGE	1/1
DWG. NO.	GMK-2024-00131	SCALE	1:50	REV	A
◇ CRITICAL CHARACTERISTIC	DESIGN	John	STANDARD	吴颜英	
▽ SPECIAL CHARACTERISTIC	CHECK	jiaodui	APPROVED	shenpi	
	PROCESS	gongyi	DATE	riqi	

MARK	DESCRIPTION	MODIFY NO.	SIGN	DATE

"A"  
 1: MEGANIUM 2000  
 2: TAILILEUM 400  
 3: RADALEUM FHP-60